



Chipsmall Limited consists of a professional team with an average of over 10 year of expertise in the distribution of electronic components. Based in Hongkong, we have already established firm and mutual-benefit business relationships with customers from,Europe,America and south Asia,supplying obsolete and hard-to-find components to meet their specific needs.

With the principle of "Quality Parts,Customers Priority,Honest Operation,and Considerate Service",our business mainly focus on the distribution of electronic components. Line cards we deal with include Microchip,ALPS,ROHM,Xilinx,Pulse,ON,Everlight and Freescale. Main products comprise IC,Modules,Potentiometer,IC Socket,Relay,Connector.Our parts cover such applications as commercial,industrial, and automotives areas.

We are looking forward to setting up business relationship with you and hope to provide you with the best service and solution. Let us make a better world for our industry!



Contact us

Tel: +86-755-8981 8866 Fax: +86-755-8427 6832

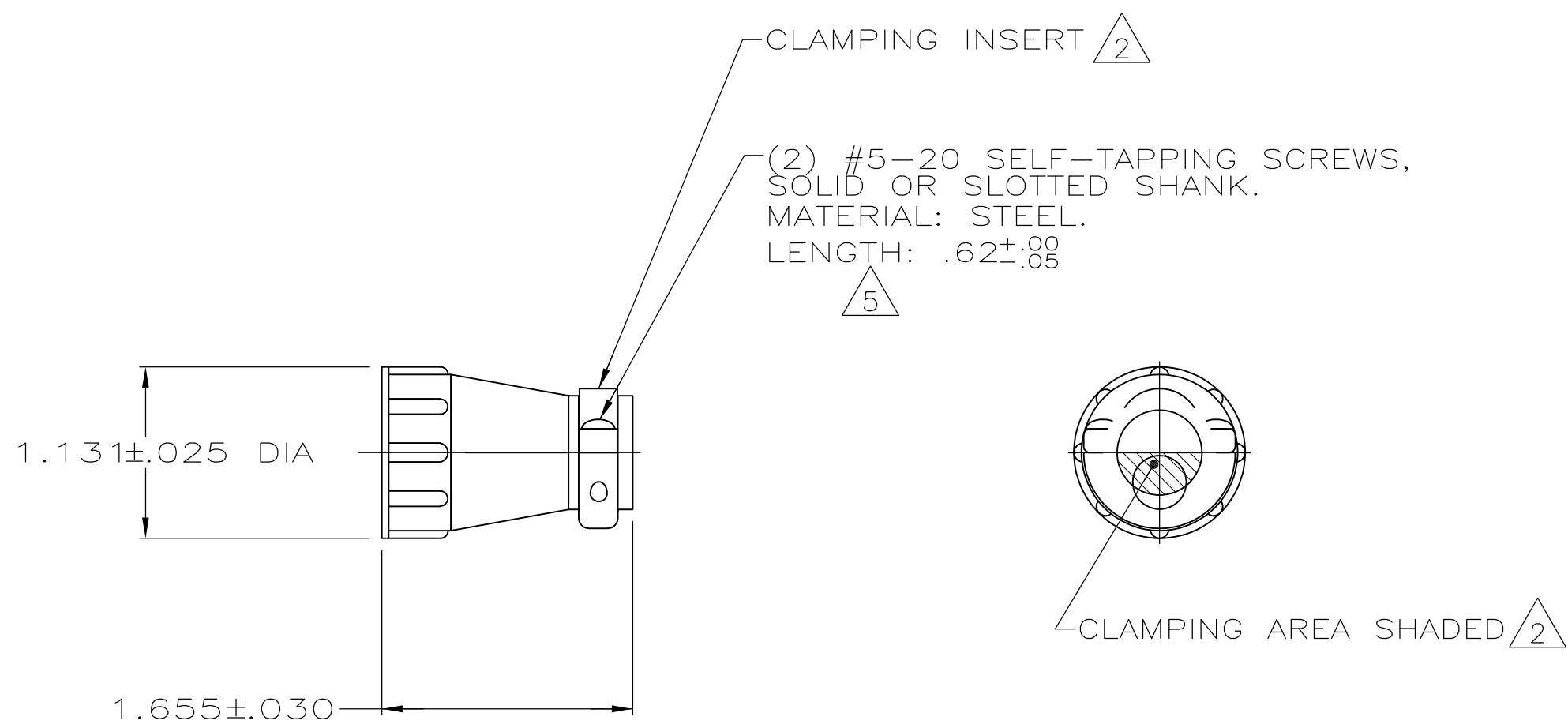
Email & Skype: info@chipsmall.com Web: www.chipsmall.com

Address: A1208, Overseas Decoration Building, #122 Zhenhua RD., Futian, Shenzhen, China



THIS DRAWING IS UNPUBLISHED. RELEASED FOR PUBLICATION
 © COPYRIGHT - By - ALL RIGHTS RESERVED.

LOC	DIST	REVISIONS					
BD	0	P	LTR	DESCRIPTION	DATE	DWN	APVD
		M1		REVISED PER ECO-11-004917	11MAR11	RK	HMR



- 1 PARTS PACKAGED UNASSEMBLED.
- 2 CABLE CLAMPING AREA ADJUSTABLE FROM .100 TO .410 SQ IN BY REVERSING CLAMPING INSERTS.
- 3 .703 MAXIMUM CABLE OUTSIDE DIAMETER.
- 4 BULK PACKAGED KITS TO BE ORDERED IN MULTIPLES OF 100 ONLY.
- 5 FINISH: ZINC NON-HEXAVALENT CHROMATE.

5	4	BULK	207008-6
5	4	INDIVIDUAL	207008-5
5	4	SUPERSEDED BY 207008-6 BULK	207008-2
5	4	SUPERSEDED BY 207008-5 INDIVIDUAL	207008-1
		PACKAGING	PART NUMBER

THIS DRAWING IS A CONTROLLED DOCUMENT.		DWN	A GRAFF 4/23/91		STE TE Connectivity
		CHK	W.G.LENKER 7-23-92		
DIMENSIONS: INCHES		TOLERANCES UNLESS OTHERWISE SPECIFIED:		NAME	
		0 PLC ± -		CABLE CLAMP KIT, LARGE, SHELL SIZE 13, CPC	
		1 PLC ± -		PRODUCT SPEC	
		2 PLC ± -		108-10024	
		3 PLC ± -		APPLICATION SPEC	
		4 PLC ± -		SIZE	
		ANGLES ± -		CAGE CODE	
MATERIAL		FINISH		DRAWING NO	
THERMOPLASTIC		-		A300779 C-207008	
		WEIGHT		RESTRICTED TO	
		-		-	
CUSTOMER DRAWING			SCALE	SHEET	REV
			1:1	1 OF 1	M1