



Chipsmall Limited consists of a professional team with an average of over 10 year of expertise in the distribution of electronic components. Based in Hongkong, we have already established firm and mutual-benefit business relationships with customers from,Europe,America and south Asia,supplying obsolete and hard-to-find components to meet their specific needs.

With the principle of “Quality Parts,Customers Priority,Honest Operation,and Considerate Service”,our business mainly focus on the distribution of electronic components. Line cards we deal with include Microchip,ALPS,ROHM,Xilinx,Pulse,ON,Everlight and Freescale. Main products comprise IC,Modules,Potentiometer,IC Socket,Relay,Connector.Our parts cover such applications as commercial,industrial, and automotives areas.

We are looking forward to setting up business relationship with you and hope to provide you with the best service and solution. Let us make a better world for our industry!



Contact us

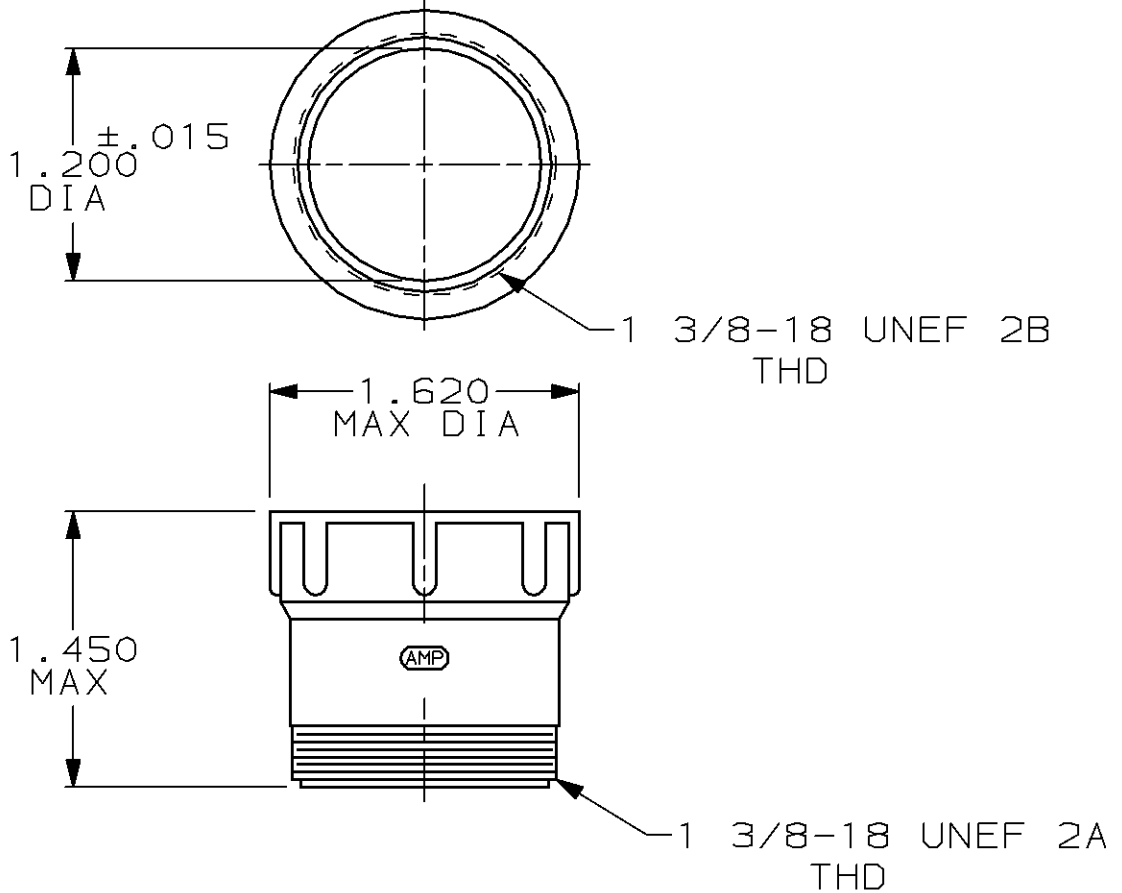
Tel: +86-755-8981 8866 Fax: +86-755-8427 6832

Email & Skype: info@chipsmall.com Web: www.chipsmall.com

Address: A1208, Overseas Decoration Building, #122 Zhenhua RD., Futian, Shenzhen, China



LOC	DIST	REVISIONS					
		P	LTR	DESCRIPTION	DATE	DWN	APVD
BD	35		B	REDRAWN	31 JUL 90	-	KB
			C	REVISE PER EC 0020-750-95	26 JUL 95	CR	RB



THIS DRAWING IS UNPUBLISHED.

ALL RIGHTS RESERVED.

BY AMP INCORPORATED.
COPYRIGHT 19

207055-1
PART NUMBER

DIMENSIONS: INCHES	DWN	S. RIDGLEY	31 JUL 90	MATERIAL	GLASS FILLED NYLON	FINISH	-
	CHK	R. STONE	26 APR 91	AMP Incorporated Harrisburg, PA 17105-3608			
TOLERANCES UNLESS OTHERWISE SPECIFIED:	APVD	K. BEAVER	30 APR 91				
0 PLC ±-	PRODUCT SPEC	NAME BACKSHELL EXTENDER, SIZE 23, CPC					
1 PLC ±-	APPLICATION SPEC	SIZE A4 CAGE CODE 00779 DRAWING NO C-207055					
2 PLC ±-	WEIGHT	SCALE 1:1 SHEET 1 OF 1 REV C					
3 PLC ±-	CUSTOMER DRAWING						
4 PLC ±-							
ANGLES ±-							

