



Chipsmall Limited consists of a professional team with an average of over 10 year of expertise in the distribution of electronic components. Based in Hongkong, we have already established firm and mutual-benefit business relationships with customers from,Europe,America and south Asia,supplying obsolete and hard-to-find components to meet their specific needs.

With the principle of “Quality Parts,Customers Priority,Honest Operation,and Considerate Service”,our business mainly focus on the distribution of electronic components. Line cards we deal with include Microchip,ALPS,ROHM,Xilinx,Pulse,ON,Everlight and Freescale. Main products comprise IC,Modules,Potentiometer,IC Socket,Relay,Connector.Our parts cover such applications as commercial,industrial, and automotives areas.

We are looking forward to setting up business relationship with you and hope to provide you with the best service and solution. Let us make a better world for our industry!



Contact us

Tel: +86-755-8981 8866 Fax: +86-755-8427 6832

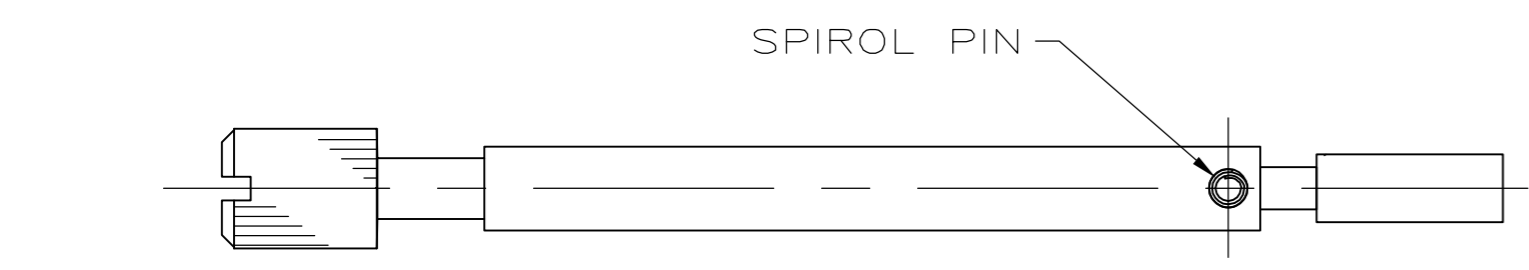
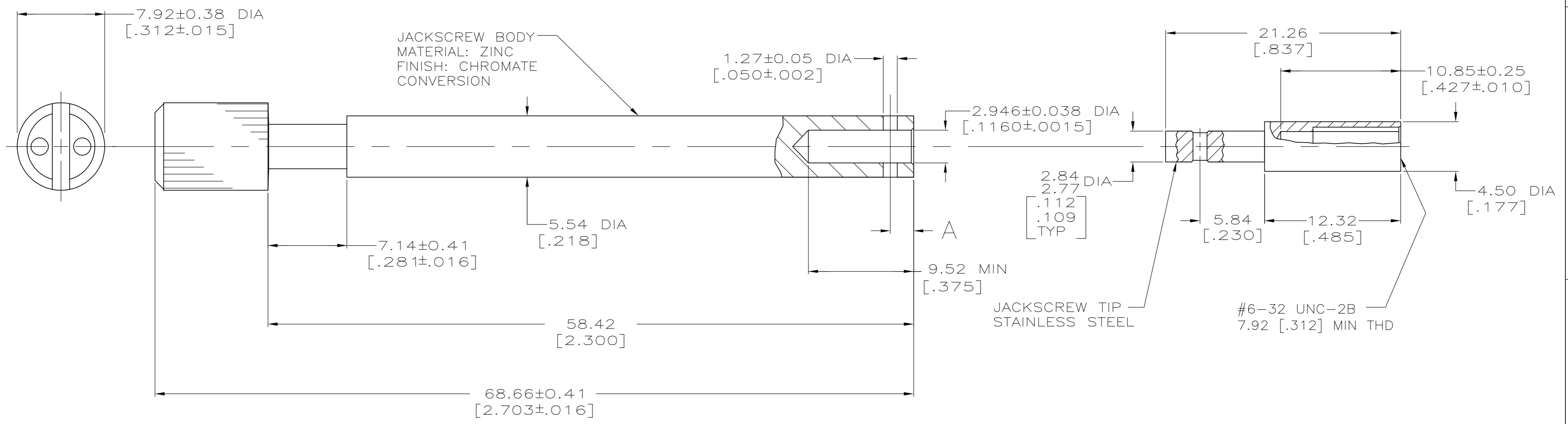
Email & Skype: info@chipsmall.com Web: www.chipsmall.com

Address: A1208, Overseas Decoration Building, #122 Zhenhua RD., Futian, Shenzhen, China



THIS DRAWING IS UNPUBLISHED. RELEASED FOR PUBLICATION
 © COPYRIGHT BY TYCO ELECTRONICS CORPORATION. ALL RIGHTS RESERVED.

LOC	DIST	REVISIONS			
P	LTR	DESCRIPTION	DATE	DWN	APVD
FT	0	B1	REVISED PER ECO-06-25037	11/7/06	SS GS



ASSEMBLED VIEW

- ⚠ CHROMATE CONVERSION WITH HEXAVALENT CHROMATE.
- ⚠ CHROMATE CONVERSION WITHOUT HEXAVALENT CHROMATE.

OBSOLETE	⚠	3.38 [.113]	207235-5
	⚠	2.11 [.083]	207235-3
	⚠	3.38 [.113]	207235-1
NOTE	A	PART NUMBER	

THIS DRAWING IS A CONTROLLED DOCUMENT.		DWN	B. CARBO	14 MAR 96	 Tyco Electronics Corporation Harrisburg, PA 17105-3608	
DIMENSIONS: mm [INCHES]		CHK	R. STONE	18 MAR 96		
TOLERANCES UNLESS OTHERWISE SPECIFIED:		APVD	G. STEINHAUER	17 APR 96		
0 PLC ± - 1 PLC ± - 2 PLC ± 0.13 [.005] 3 PLC ± - 4 PLC ± - ANGLES ± - FINISH -		PRODUCT SPEC	-			
MATERIAL		APPLICATION SPEC	-		NAME	JACKSCREW KIT, UNASSEMBLED, FEMALE, LONG, FOR 75 & 104 POS SHIELD, M SERIES
-		WEIGHT	-		SIZE	A2
-		CUSTOMER DRAWING	SCALE	4:1	CAGE CODE	00779
-			SHEET	1 of 1	DRAWING NO	C=207235
-			REV	B1	RESTRICTED TO	-