



Chipsmall Limited consists of a professional team with an average of over 10 year of expertise in the distribution of electronic components. Based in Hongkong, we have already established firm and mutual-benefit business relationships with customers from,Europe,America and south Asia,supplying obsolete and hard-to-find components to meet their specific needs.

With the principle of "Quality Parts,Customers Priority,Honest Operation,and Considerate Service",our business mainly focus on the distribution of electronic components. Line cards we deal with include Microchip,ALPS,ROHM,Xilinx,Pulse,ON,Everlight and Freescale. Main products comprise IC,Modules,Potentiometer,IC Socket,Relay,Connector.Our parts cover such applications as commercial,industrial, and automotives areas.

We are looking forward to setting up business relationship with you and hope to provide you with the best service and solution. Let us make a better world for our industry!



Contact us

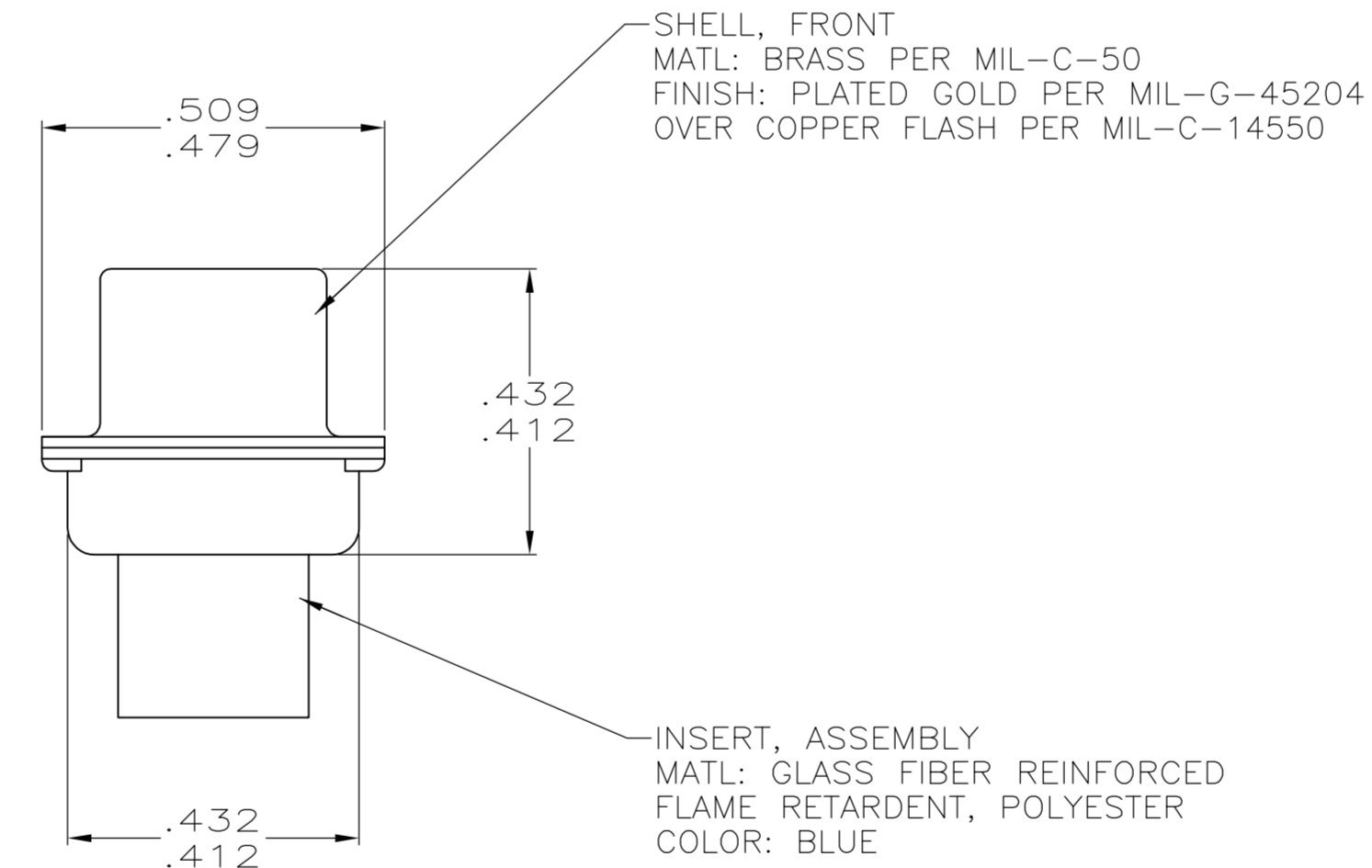
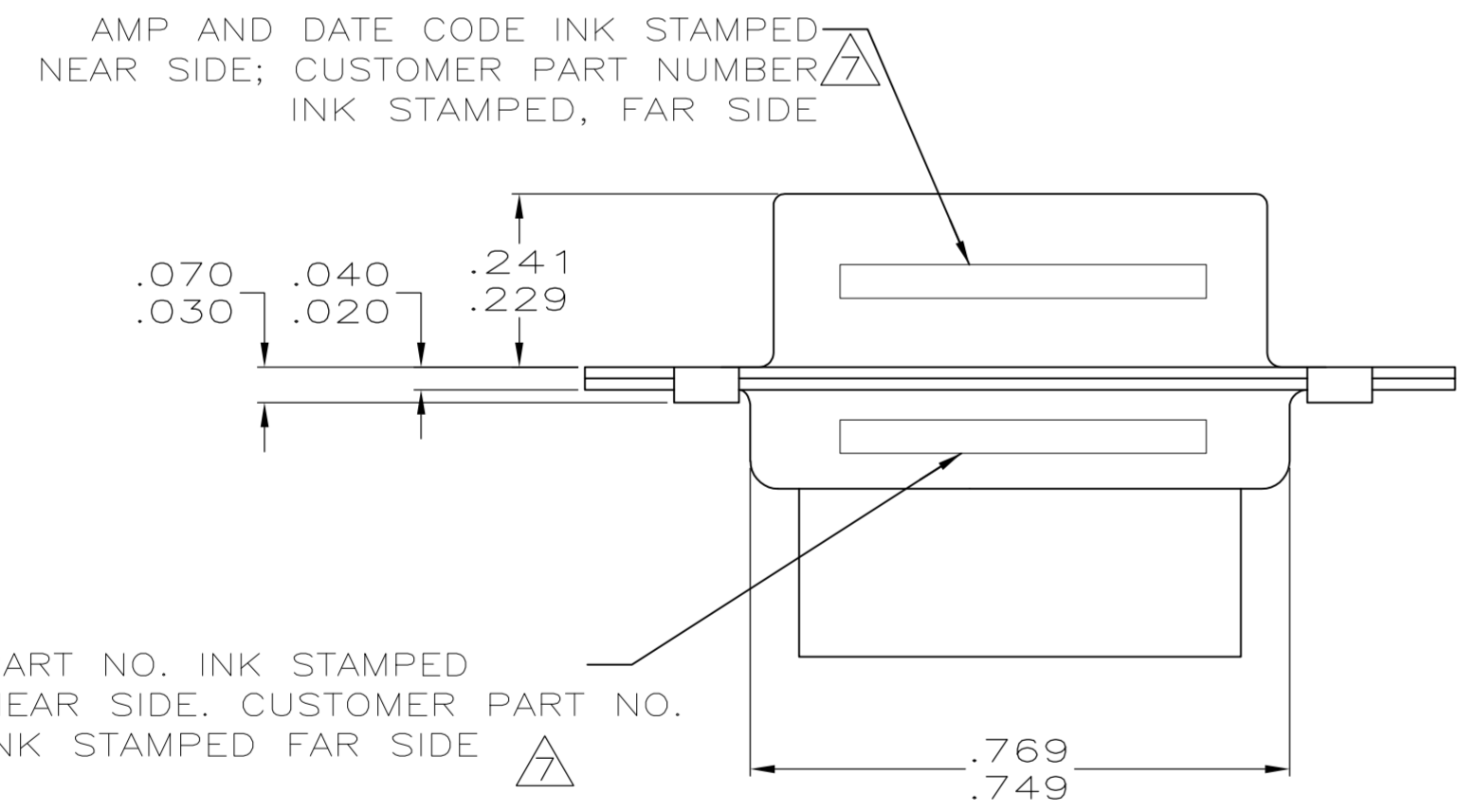
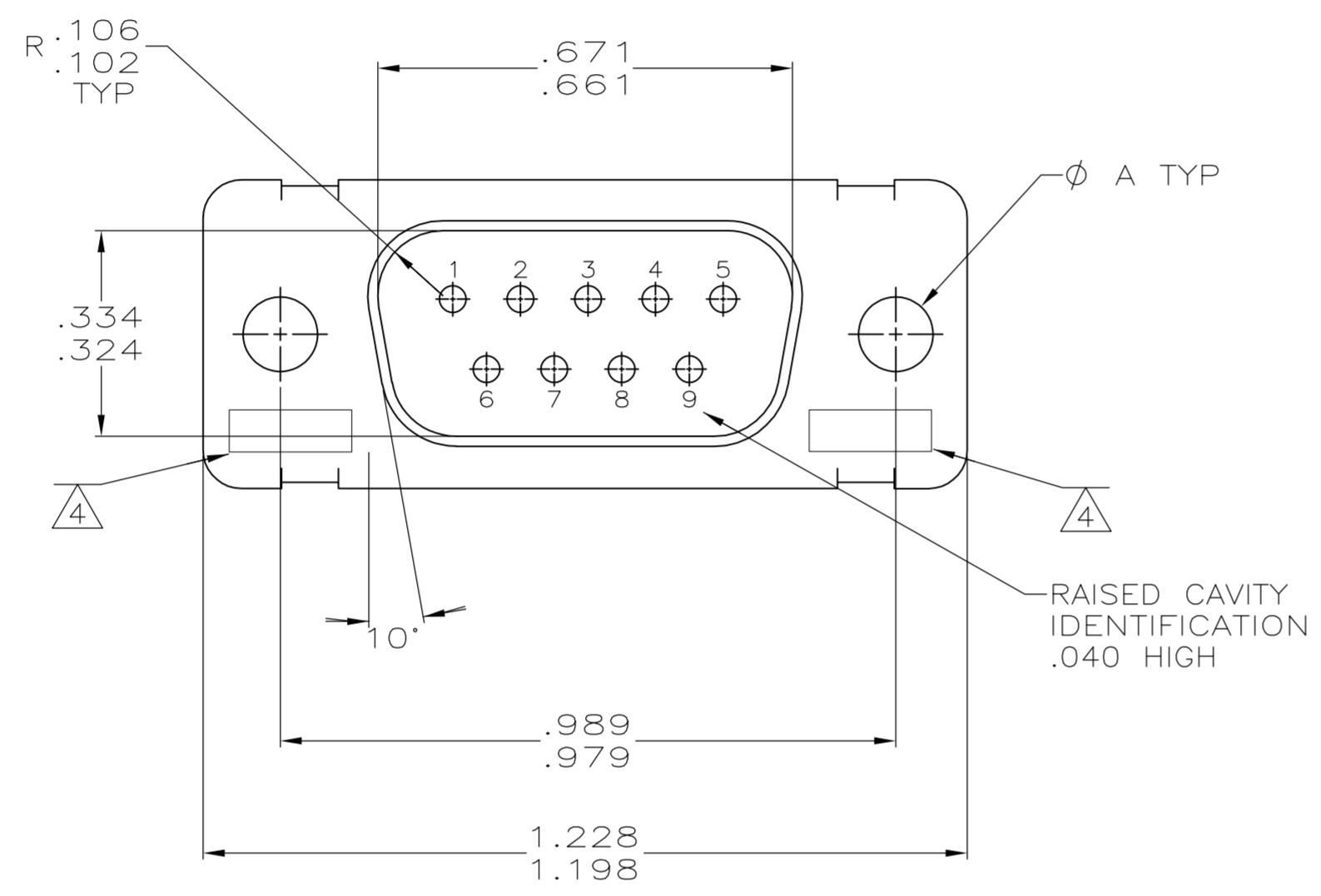
Tel: +86-755-8981 8866 Fax: +86-755-8427 6832

Email & Skype: info@chipsmall.com Web: www.chipsmall.com

Address: A1208, Overseas Decoration Building, #122 Zhenhua RD., Futian, Shenzhen, China



LOC		DIST		REVISIONS			
P	LTR	DESCRIPTION	DATE	DWN	APVD		
L1		REVISED PER ECO-11-005030	11MAR11	RK	HMR		



- THIS PLUG WILL MATE WITH ANY RECEPTACLE CONNECTOR WITH THE SAME INSERT ARRANGEMENT AS DEFINED BY MS18273-1.
- MAXIMUM WIRE INSULATION USED WITH THIS PLUG IS .072 DIA.
- BE CU RETENTION CLIPS ARE INCLUDED IN INSERTS.
- UL/CSA DESIGNATION STAMPED IN THIS AREA.
- THESE CONNECTORS ARE QUALIFIED TO GODDARD SPACE FLIGHT CENTER SPECIFICATION S-311-P-4.
- CONNECTOR SUPPLIED WITHOUT CONTACTS; SHOWN FOR DIMENSIONAL REFERENCE ONLY.
- CUSTOMER PART NUMBER MAY BE SPLIT BETWEEN FRONT AND REAR SHELLS, SAME SIDE. FAR SIDE REFERS TO WIDE SIDE OF KEYSTONE, NEAR SIDE REFERS TO NARROW SIDE OF KEYSTONE.
- RESTRICTED TO CAE ELECTRONICS ONLY.

	.120	570513-6	207252-6	207252-6
	5 8	.120	311P409-1P-B-12	207252-2
OBS		.120	2A014-001V-001	207252-4
OBS		.120	---	207252-3
	5	.120	311P409-1P-B-12	207252-2
	5	.154	311P409-1P-B-15	207252-1
REMARKS	A	INK STAMP CUSTOMER P/N	INK STAMP PART NUMBER	PART NUMBER

THIS DRAWING IS A CONTROLLED DOCUMENT.

DIMENSIONS: INCHES	TOLERANCES UNLESS OTHERWISE SPECIFIED:	DWN THOMPSON 08-12-93	TE Connectivity
0 PLC ± -	1 PLC ± -	CHK F. KINSEY 08-19-93	PLUG FOR PIN CONTACTS
2 PLC ± -	3 PLC ± .005	APVD F. KINSEY 08-19-93	SERIES 109, SIZE 1, NONMAGNETIC
4 PLC ± -	ANGLES ± °	NAME	9 POSITION
MATERIAL SEE CALLOUTS	FINISH SEE CALLOUTS	SIZE CAGE CODE DRAWING NO	RESTRICTED TO
		A1 00779 C=207252	
		CUSTOMER DRAWING	SCALE 4:1 SHEET 1 OF 1 REV L1