



Chipsmall Limited consists of a professional team with an average of over 10 year of expertise in the distribution of electronic components. Based in Hongkong, we have already established firm and mutual-benefit business relationships with customers from,Europe,America and south Asia,supplying obsolete and hard-to-find components to meet their specific needs.

With the principle of “Quality Parts,Customers Priority,Honest Operation,and Considerate Service”,our business mainly focus on the distribution of electronic components. Line cards we deal with include Microchip,ALPS,ROHM,Xilinx,Pulse,ON,Everlight and Freescale. Main products comprise IC,Modules,Potentiometer,IC Socket,Relay,Connector.Our parts cover such applications as commercial,industrial, and automotives areas.

We are looking forward to setting up business relationship with you and hope to provide you with the best service and solution. Let us make a better world for our industry!



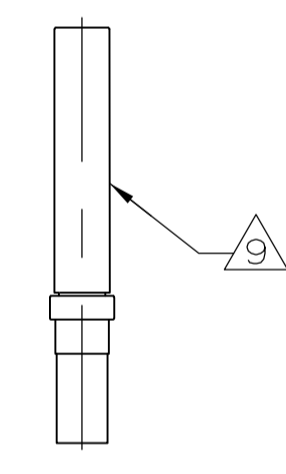
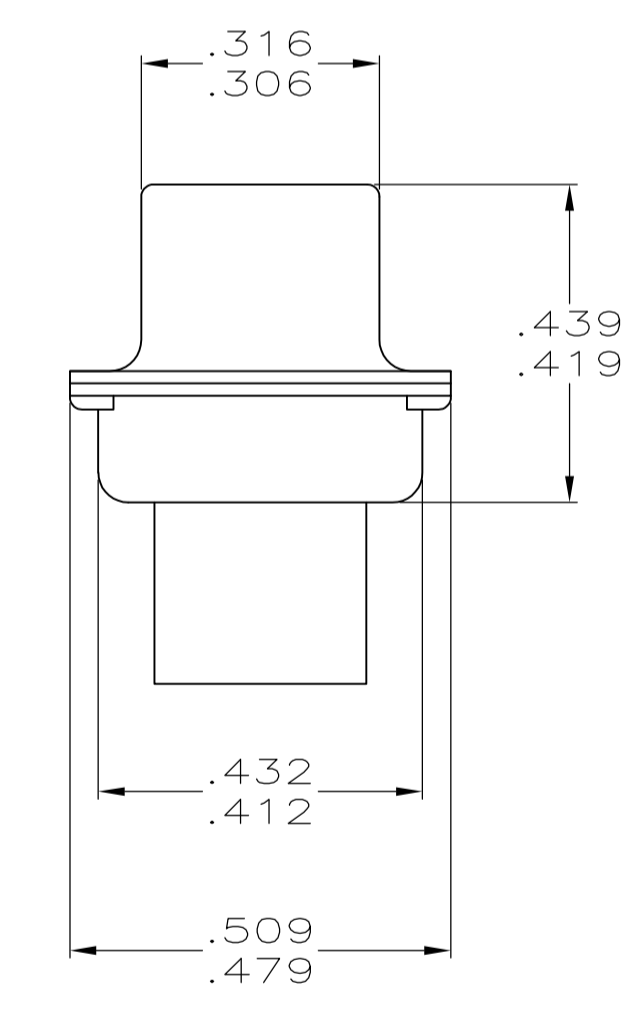
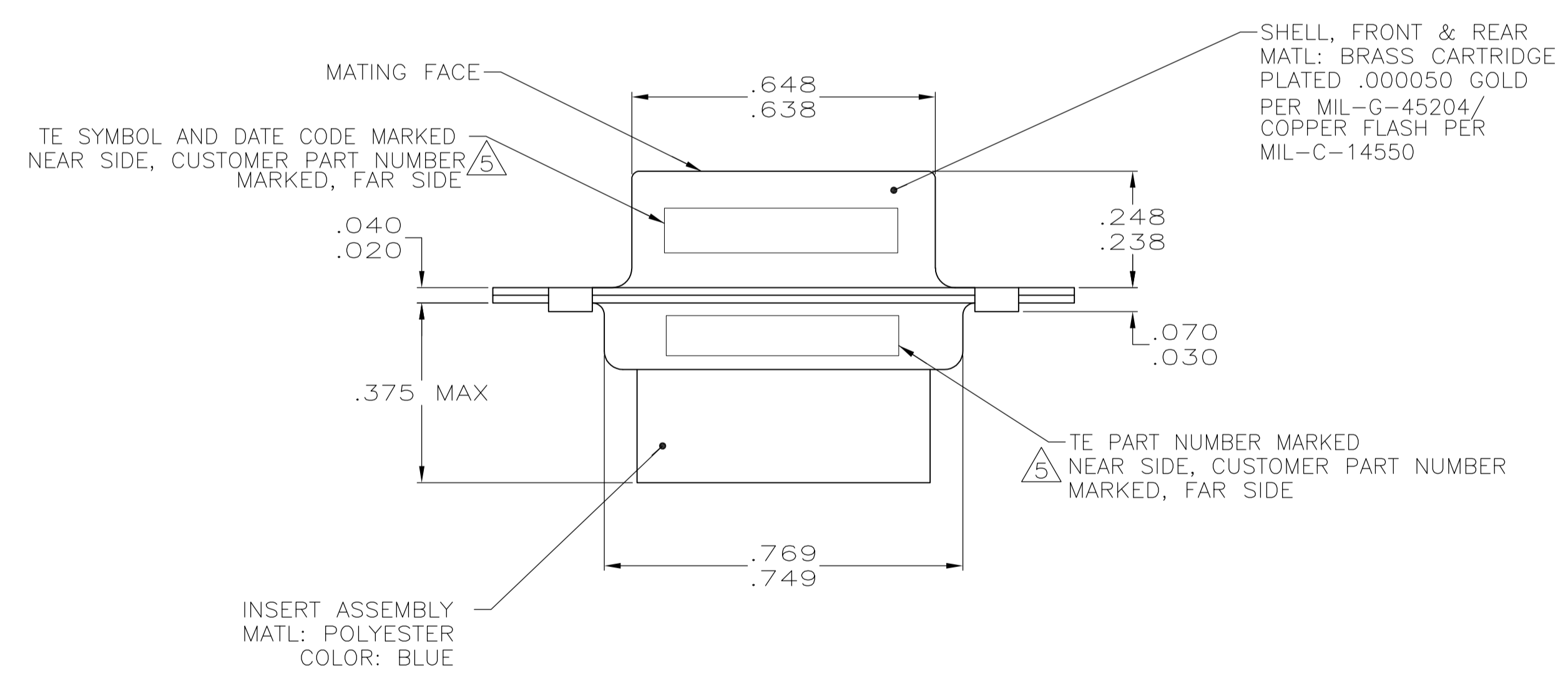
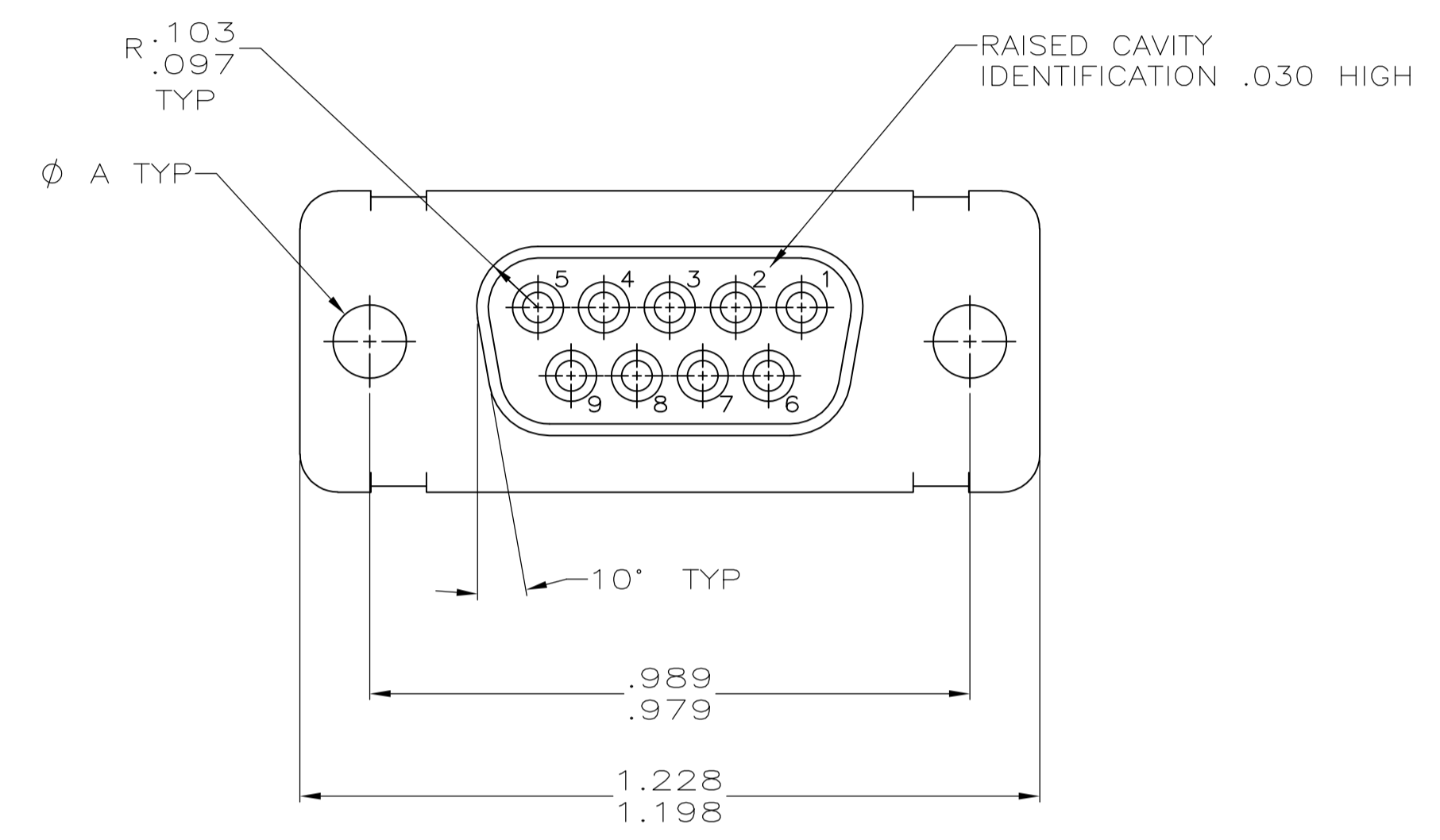
Contact us

Tel: +86-755-8981 8866 Fax: +86-755-8427 6832

Email & Skype: info@chipsmall.com Web: www.chipsmall.com

Address: A1208, Overseas Decoration Building, #122 Zhenhua RD., Futian, Shenzhen, China





- △ THIS RECEPTACLE WILL MATE WITH ANY PLUG WITH THE SAME INSERT ARRANGEMENT AS DEFINED BY MS18273-1.
- 2. MAXIMUM WIRE INSULATION USED WITH THIS RECEPTACLE IS .072 DIA MAX.
- 3. Be Cu RETENTION CLIPS ARE INCLUDED IN INSERT.
- △ CUSTOMER PART NUMBER MAY BE SPLIT BETWEEN FRONT AND REAR SHELLS, SAME SIDE. FAR SIDE REFERS TO WIDE SIDE OF KEYSTONE, NEAR SIDE REFERS TO NARROW SIDE OF KEYSTONE.
- △ THESE CONNECTORS ARE QUALIFIED TO GODDARD SPACE FLIGHT CENTER SPECIFICATION S-311-P-4.
- 7. CUSTOMER PART NUMBER MAY BE SPLIT BETWEEN FRONT AND REAR SHELLS.
- △ RESTRICTED TO CAE ELECTRONICS ONLY.
- △ CONNECTOR SUPPLIED WITH CONTACTS, TE PART NUMBER 206793-1; (NOT INSTALLED).

REMARKS	DIA A	INK STAMPED CUSTOMER P/N	INK STAMPED TE P/N	AMP P/N
SUPERSEDED BY 1996077-1	.120	8333648P2	207253-8	207253-8
	.120	570513-1	207253-7	207253-7
△ 9	.120	LMSC 1621480-001	207253-6	207253-6
	.120	LMSC 1621480-001	207253-5	207253-5
△ 8 △ 6	.120	311P409-1S-B-12	207253-2	207253-4
	-	-	207253-3	207253-3
△ 6	.120	311P409-1S-B-12	207253-2	207253-2
△ 6	.154	311P409-1S-B-15	207253-1	207253-1

THIS DRAWING IS A CONTROLLED DOCUMENT.

DIMENSIONS: INCHES	TOLERANCES UNLESS OTHERWISE SPECIFIED:	DIN T. THOMPSON 04-11-94	STE TE Connectivity
0 PLC ± .005	1 PLC ± .005	CIK D. MANTIONE 04-13-94	NAME AMPLIMITE RECEPTACLE ASSEMBLY SERIES 109, SIZE 1
2 PLC ± .005	3 PLC ± .005	APVD D. MANTIONE 4-13-94	PRODUCT SPEC
4 PLC ± .005	ANGLES ± .005	APPLICATION SPEC	SIZE CAGE CODE DRAWING NO
MATERIAL SEE CALLOUTS	FINISH SEE CALLOUTS	WEIGHT	A1 00779 C=207253
CUSTOMER DRAWING		SCALE 4:1	SHEET 1 OF 1 REV S