



Chipsmall Limited consists of a professional team with an average of over 10 year of expertise in the distribution of electronic components. Based in Hongkong, we have already established firm and mutual-benefit business relationships with customers from,Europe,America and south Asia,supplying obsolete and hard-to-find components to meet their specific needs.

With the principle of "Quality Parts,Customers Priority,Honest Operation,and Considerate Service",our business mainly focus on the distribution of electronic components. Line cards we deal with include Microchip,ALPS,ROHM,Xilinx,Pulse,ON,Everlight and Freescale. Main products comprise IC,Modules,Potentiometer,IC Socket,Relay,Connector.Our parts cover such applications as commercial,industrial, and automotives areas.

We are looking forward to setting up business relationship with you and hope to provide you with the best service and solution. Let us make a better world for our industry!



Contact us

Tel: +86-755-8981 8866 Fax: +86-755-8427 6832

Email & Skype: info@chipsmall.com Web: www.chipsmall.com

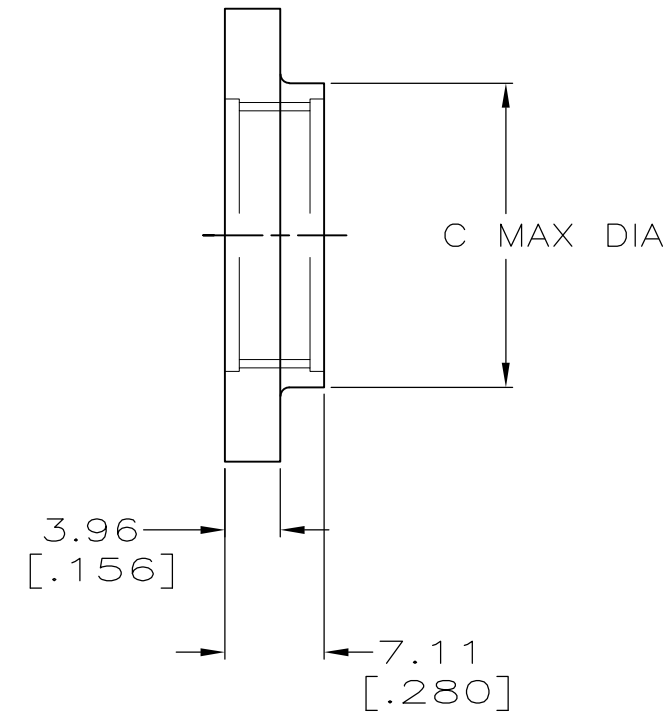
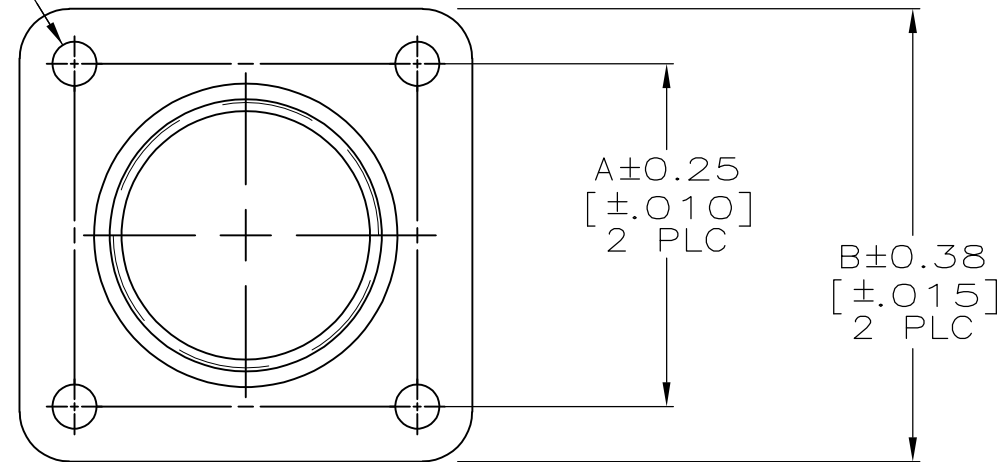
Address: A1208, Overseas Decoration Building, #122 Zhenhua RD., Futian, Shenzhen, China



THIS DRAWING IS UNPUBLISHED. RELEASED FOR PUBLICATION
 © COPYRIGHT - By - ALL RIGHTS RESERVED.


LOC	DIST	REVISIONS					
BD	35	P	LTR	DESCRIPTION	DATE	DWN	APVD
		A1		REVISED PER ECO-11-004917	11MAR11	RK	HMR

D±0.08 DIA
 [±.003]
 4 HOLES



23	3.81 [.150]	38.35 [1.510]	44.45 [1.750]	36.53 [1.438]	207299-4
17	3.81 [.150]	28.19 [1.110]	36.45 [1.435]	28.58 [1.125]	207299-3
13	3.18 [.125]	22.22 [.875]	32.51 [1.280]	24.61 [.969]	207299-2
11	3.18 [.125]	19.05 [.750]	28.58 [1.125]	21.44 [.844]	207299-1
SIZE	D	C	B	A	PART NO

THIS DRAWING IS A CONTROLLED DOCUMENT.

DWN D.HARDY 05/20/94	 TE Connectivity NAME FLANGE, PLUG, CPC				
CHK R.STONE 05/20/94					
APVD A.FRANTUM 07/13/94					
PRODUCT SPEC -					
APPLICATION SPEC -	SIZE A3	CAGE CODE 00779	DRAWING NO C-207299	RESTRICTED TO -	
WEIGHT -	CUSTOMER DRAWING		SCALE 2:1	SHEET 1 of 1	REV A1

THIS DRAWING IS A CONTROLLED DOCUMENT FOR AMP INCORPORATED. IT IS SUBJECT TO CHANGE AND THE CONTROLLING ENGINEERING ORGANIZATION SHOULD BE CONTACTED FOR THE LATEST REVISION.

MATERIAL
 NYLON, BLACK

FINISH
 -