



Chipsmall Limited consists of a professional team with an average of over 10 year of expertise in the distribution of electronic components. Based in Hongkong, we have already established firm and mutual-benefit business relationships with customers from,Europe,America and south Asia,supplying obsolete and hard-to-find components to meet their specific needs.

With the principle of “Quality Parts,Customers Priority,Honest Operation,and Considerate Service”,our business mainly focus on the distribution of electronic components. Line cards we deal with include Microchip,ALPS,ROHM,Xilinx,Pulse,ON,Everlight and Freescale. Main products comprise IC,Modules,Potentiometer,IC Socket,Relay,Connector.Our parts cover such applications as commercial,industrial, and automotives areas.

We are looking forward to setting up business relationship with you and hope to provide you with the best service and solution. Let us make a better world for our industry!



Contact us

Tel: +86-755-8981 8866 Fax: +86-755-8427 6832

Email & Skype: info@chipsmall.com Web: www.chipsmall.com

Address: A1208, Overseas Decoration Building, #122 Zhenhua RD., Futian, Shenzhen, China



© COPYRIGHT 1976 BY AMP INCORPORATED, HARRISBURG, PA. ALL INTERNATIONAL RIGHTS RESERVED. AMP INCORPORATED PRODUCTS COVERED BY U. S. PATENTS AND/OR PATENTS PENDING.

PART NUMBER	KEYING POSITION
207306-1	01
207306-2	02
207306-3	03
207306-4	04
207306-5	05
207306-6	06
207306-7	07
207306-8	08
207306-9	09

REVISIONS					
P	F	ZONE/LTR	DESCRIPTION	DATE	APPROVED
	✓	0	RELEASED WAS 5048-677	4/2/76	[Signature]

D

S

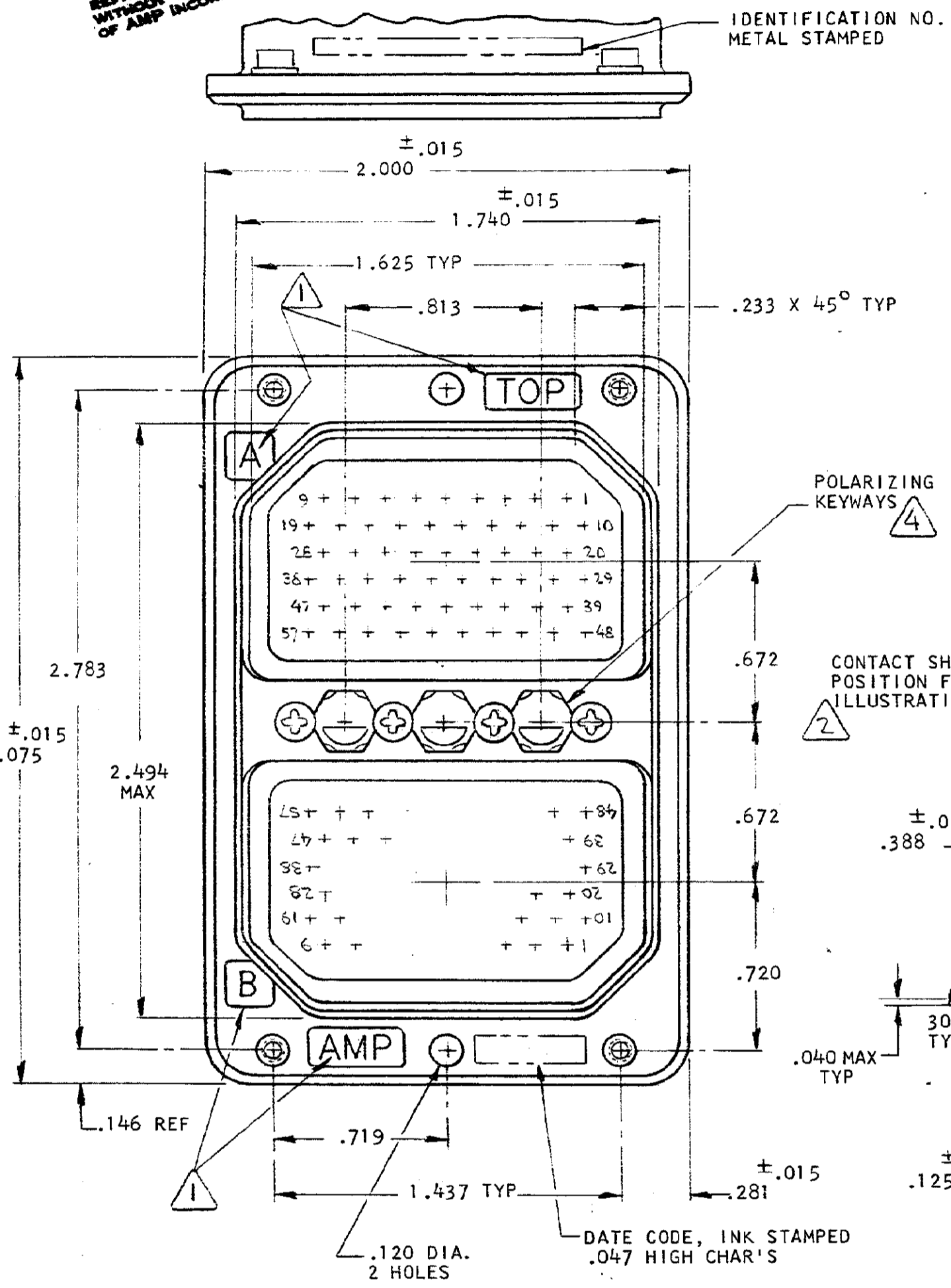
C

B

D

C

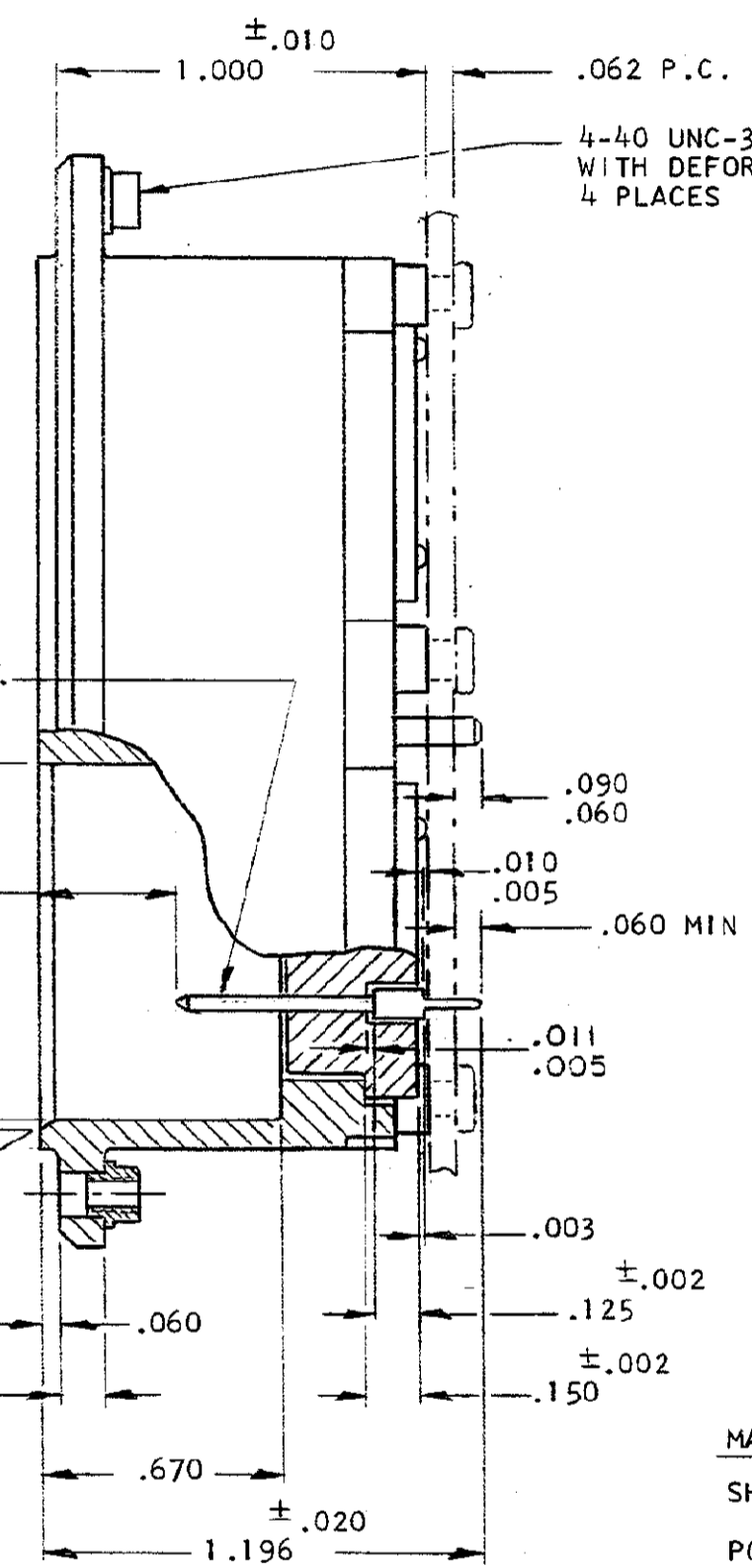
B



POLARIZING KEYWAYS 4

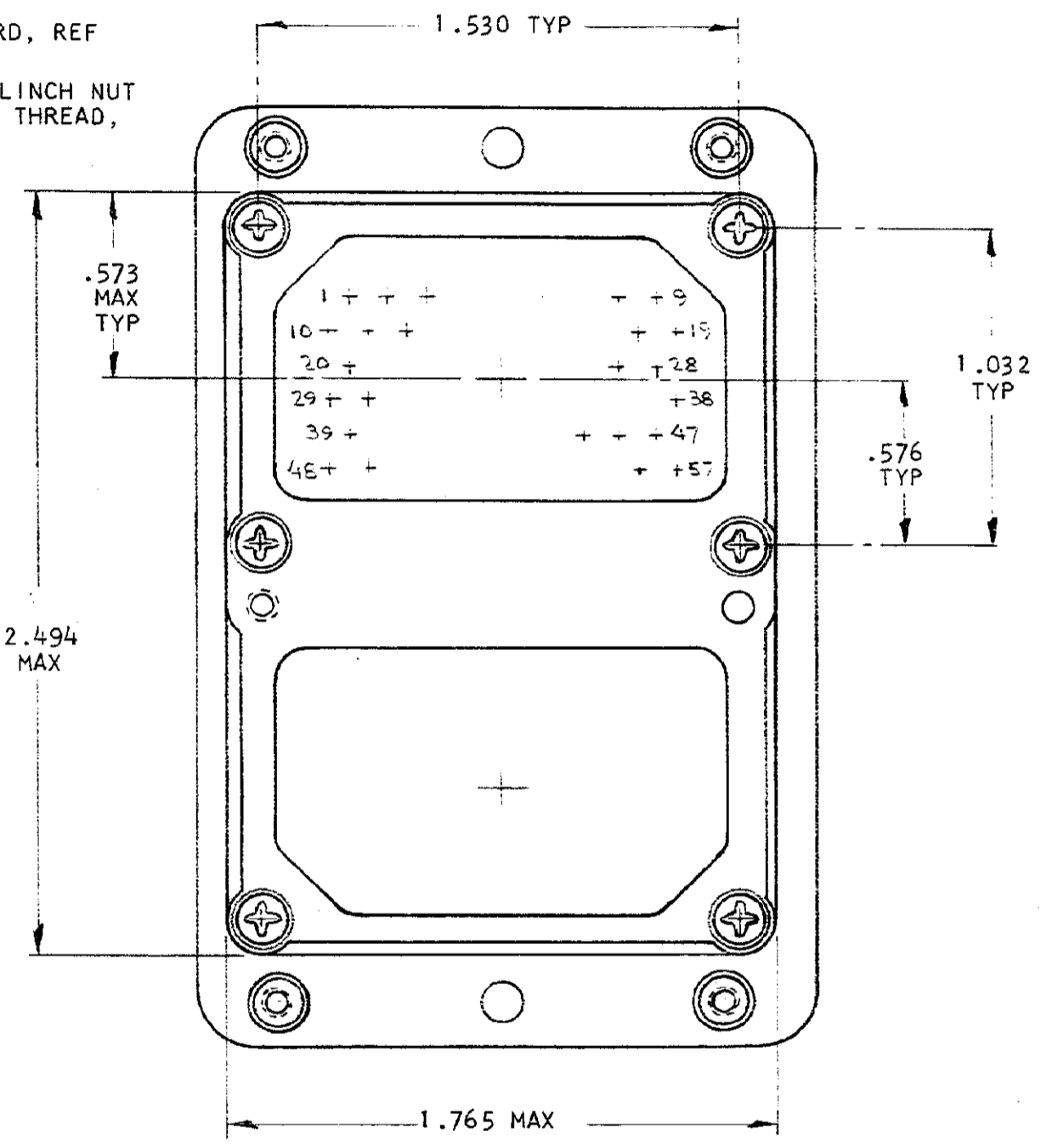
CONTACT SHOWN IN POSITION FOR ILLUSTRATION ONLY.

30° TYP



MATERIAL & FINISH

SHELL: DIE CAST ALUM. ALLOY PER QQ-A-591, COMP. 10, FINISH, CAD PLATED YELLOW CHROMATE PER QQ-P-416, TYPE 1, CLASS 2. POLARIZING KEYING INSERTS & SCREWS: STAINLESS STEEL. WASHERS: PHENOLIC. INSULATORS, HARD: EPOXY.



CUST B 207306

- 1 CHAR'S ARE .125 HIGH, FLUSH TO DEPRESSED.
- 2 FOR SHIPMENT, CONTACTS ARE INSTALLED IN INSULATOR & PROTECTOR COVER PLACED OVER CONTACTS & IS INCLUDED IN A CONTAINER WITHIN THE CONNECTOR PACKAGE.
- 3. PARTS PACKAGED UNASSEMBLED.
- 4 FOR KEYING POSITIONS SEE DWG 204014.

UNLESS OTHERWISE SPECIFIED DIMENSIONS ARE IN INCHES. TOLERANCES ON: DECIMALS ±.005 ANGLES ±2°		CONTRACT NO		AMP INCORPORATED Harrisburg, Pa.	
MATERIAL SEE CALLOUT		DR [Signature] 4/2/76 CHK [Signature] 4-6-76		NAME RECEPTACLE CONNECTOR ASSY RACK & PANEL AM2R57P57P	
FINISH SEE CALLOUT		APPD [Signature] 4-8-76 APPD [Signature] 4-8-76		DRAWING NO 207306	
		DSGN APPD		SIZE CODE IDENT NO C 00779	
		OTHER APPD		DRAWING NO 207306	
				SCALE # "AM" SHEET 1 OF 1	