



Chipsmall Limited consists of a professional team with an average of over 10 year of expertise in the distribution of electronic components. Based in Hongkong, we have already established firm and mutual-benefit business relationships with customers from,Europe,America and south Asia,supplying obsolete and hard-to-find components to meet their specific needs.

With the principle of “Quality Parts,Customers Priority,Honest Operation,and Considerate Service”,our business mainly focus on the distribution of electronic components. Line cards we deal with include Microchip,ALPS,ROHM,Xilinx,Pulse,ON,Everlight and Freescale. Main products comprise IC,Modules,Potentiometer,IC Socket,Relay,Connector.Our parts cover such applications as commercial,industrial, and automotives areas.

We are looking forward to setting up business relationship with you and hope to provide you with the best service and solution. Let us make a better world for our industry!



Contact us

Tel: +86-755-8981 8866 Fax: +86-755-8427 6832

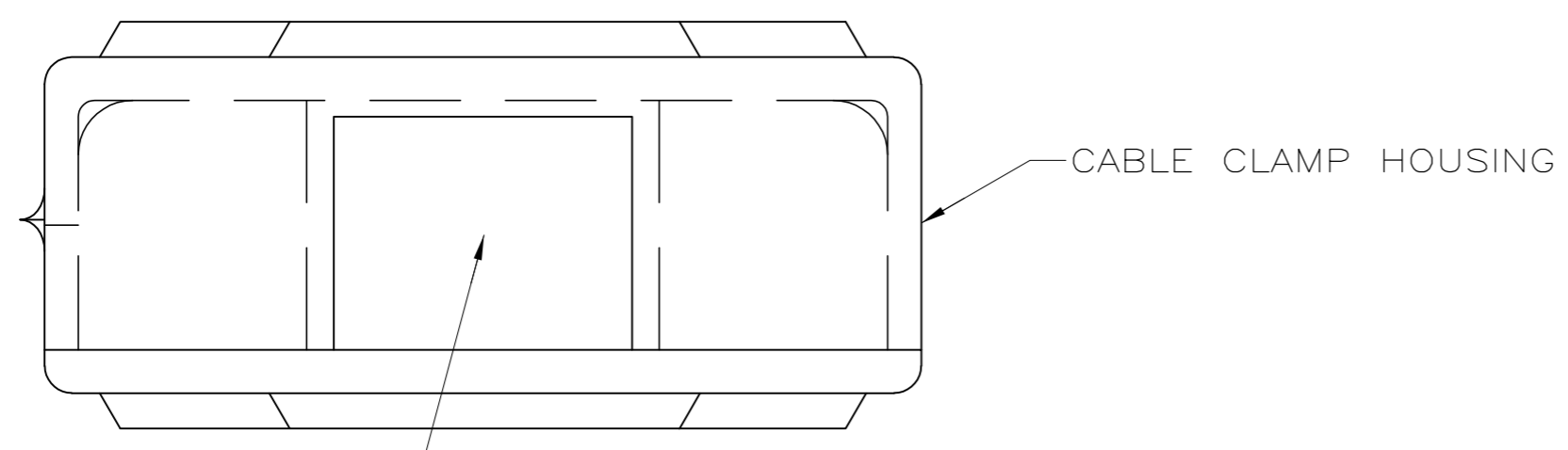
Email & Skype: info@chipsmall.com Web: www.chipsmall.com

Address: A1208, Overseas Decoration Building, #122 Zhenhua RD., Futian, Shenzhen, China

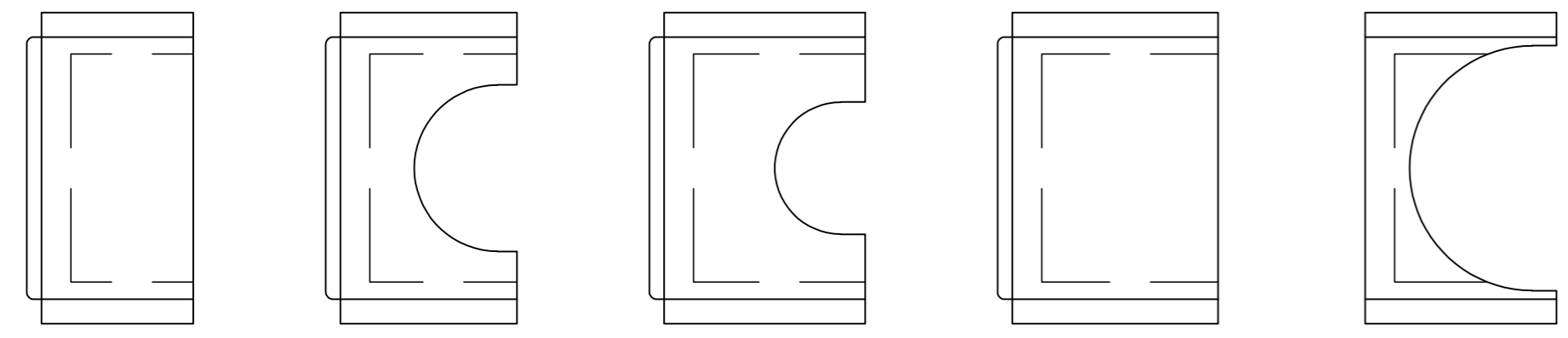
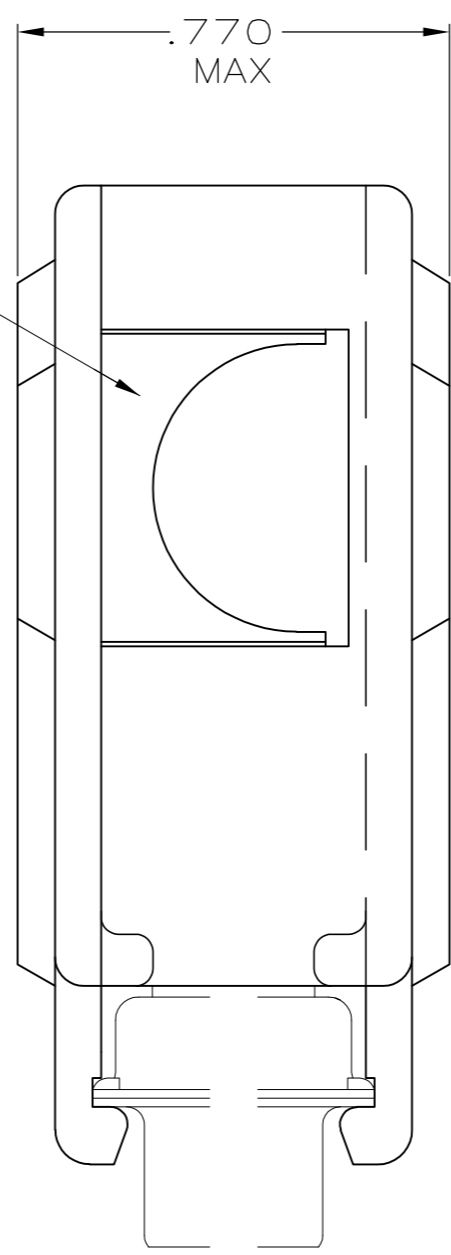
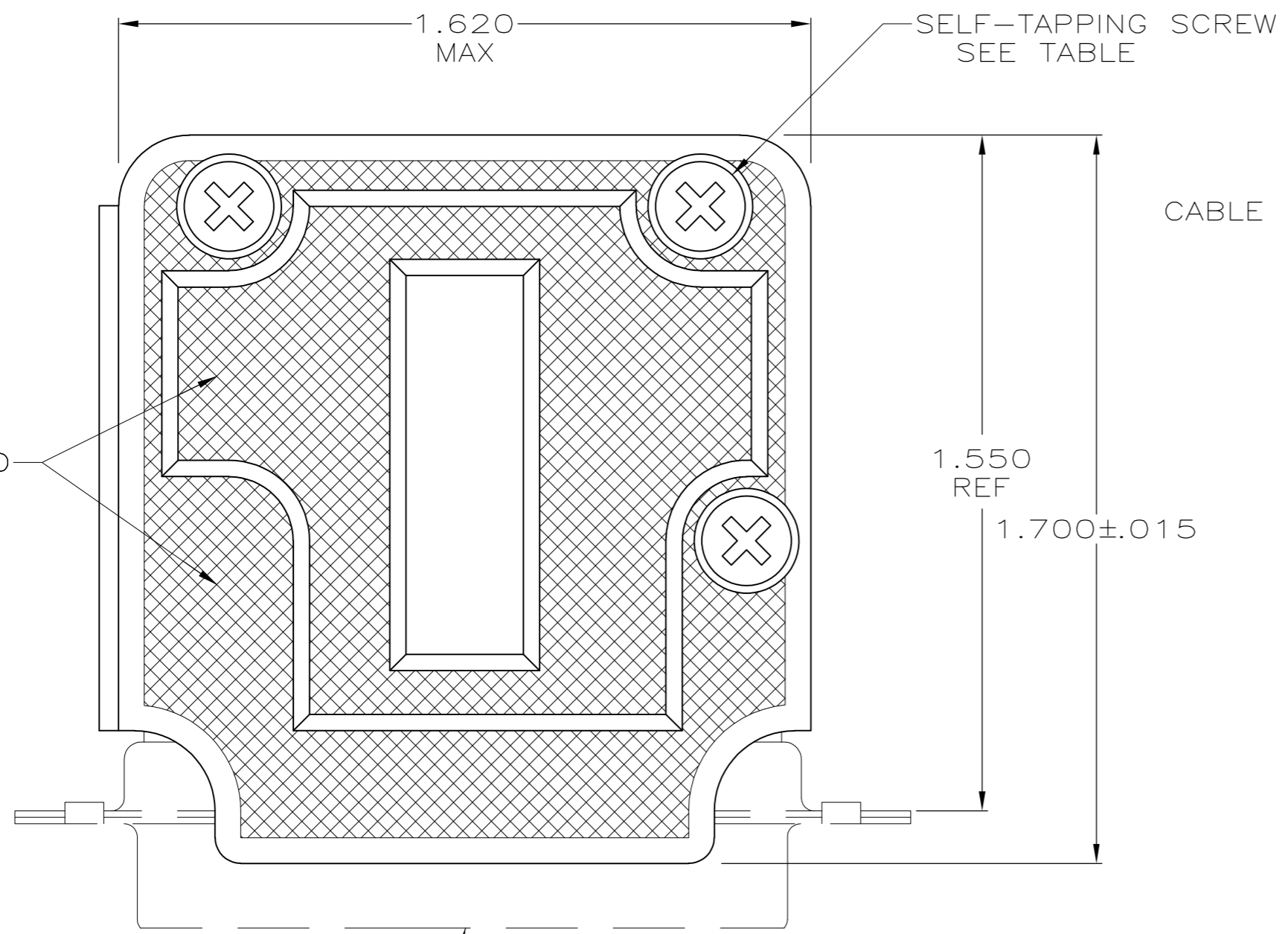


THIS DRAWING IS UNPUBLISHED. RELEASED FOR PUBLICATION
 © COPYRIGHT - By - ALL RIGHTS RESERVED.

LOC		DIST		REVISIONS			
P	LTR	DESCRIPTION		DATE	DWN	APVD	
	F1	REVISED PER ECO-11-004835		11MAR11	RK	HMR	



- PARTS PACKAGED UNASSEMBLED.
 - CABLE GATES ARE INTERCHANGEABLE ALLOWING 90° & 180° CABLE EXIT.
- ⚠ COMPONENTS INDIVIDUALLY BULK PACKED AND SHIPPED AS A UNIT PACKAGE KIT.



3-A .195 DIA CABLE REF

3-B .360 DIA CABLE REF

3-C .215 DIA CABLE REF

3-D BLANK GATE

3-E .390 DIA CABLE REF

GATES

OBSELETE	DESCRIPTION	PACKAGE	PART NUMBER
OBSELETE	SLOTTED	⚠	207345-4
	SLOTTED	AS SHOWN	207345-3
	CROSS-RECESSED	⚠	207345-2
	CROSS-RECESSED	AS SHOWN	207345-1
	SCREW VERSION	PACKAGING	PART NUMBER

THIS DRAWING IS A CONTROLLED DOCUMENT.

DWN	S. WELDON	9-16-86
CHK	C. RICHARD	9-16-86
APVD	S. SCHUFERLY	9-16-86

TE Connectivity

CABLE CLAMP KIT, SIZE 3, ONE PIECE, 90DEG & 180DEG EXIT, AMPLIMITE®

SIZE	CAGE CODE	DRAWING NO	RESTRICTED TO
A2	00779	C-207345	-

SCALE NTS SHEET 1 OF 1 REV F1

CUSTOMER DRAWING