



Chipsmall Limited consists of a professional team with an average of over 10 year of expertise in the distribution of electronic components. Based in Hongkong, we have already established firm and mutual-benefit business relationships with customers from,Europe,America and south Asia,supplying obsolete and hard-to-find components to meet their specific needs.

With the principle of “Quality Parts,Customers Priority,Honest Operation,and Considerate Service”,our business mainly focus on the distribution of electronic components. Line cards we deal with include Microchip,ALPS,ROHM,Xilinx,Pulse,ON,Everlight and Freescale. Main products comprise IC,Modules,Potentiometer,IC Socket,Relay,Connector.Our parts cover such applications as commercial,industrial, and automotives areas.

We are looking forward to setting up business relationship with you and hope to provide you with the best service and solution. Let us make a better world for our industry!



## Contact us

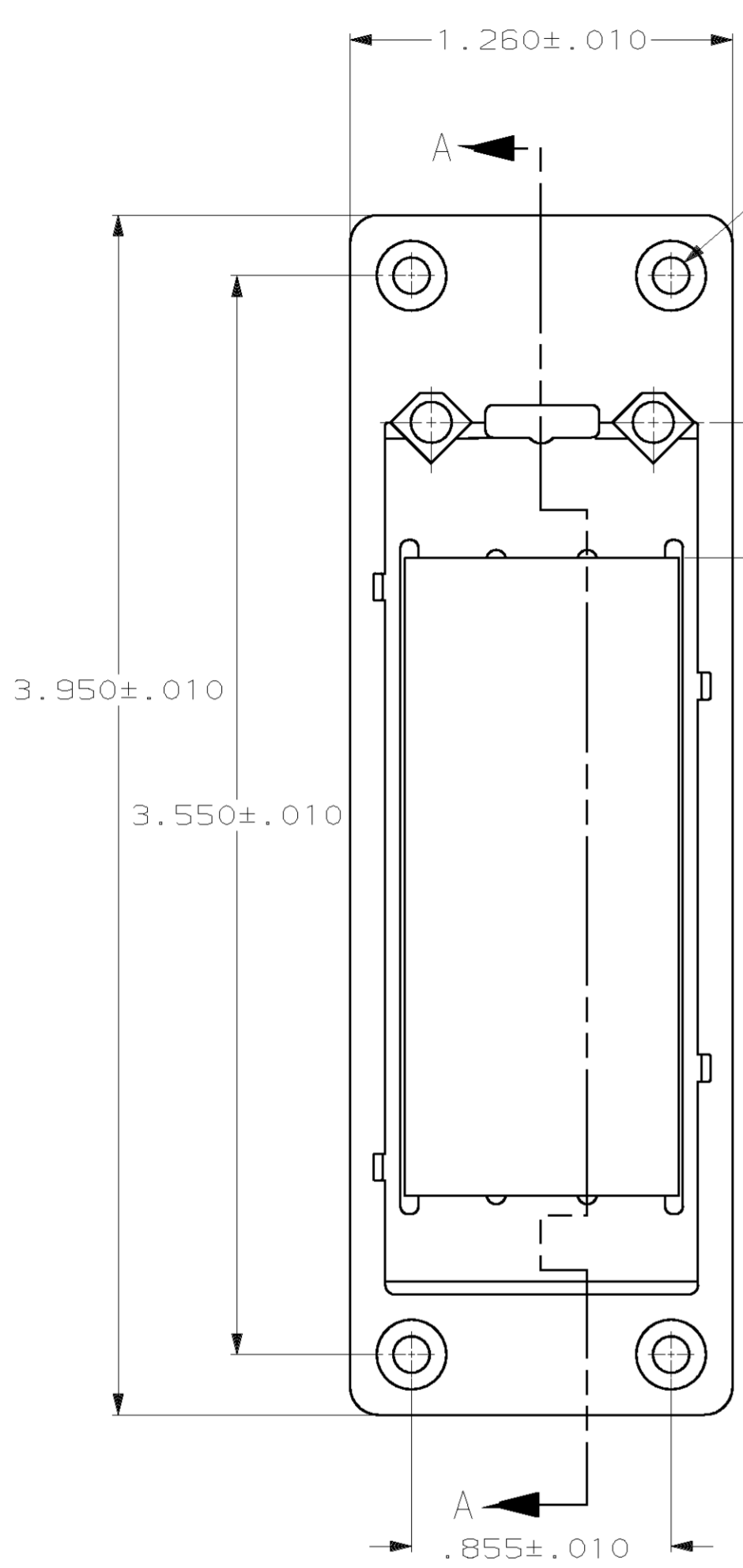
Tel: +86-755-8981 8866 Fax: +86-755-8427 6832

Email & Skype: info@chipsmall.com Web: www.chipsmall.com

Address: A1208, Overseas Decoration Building, #122 Zhenhua RD., Futian, Shenzhen, China

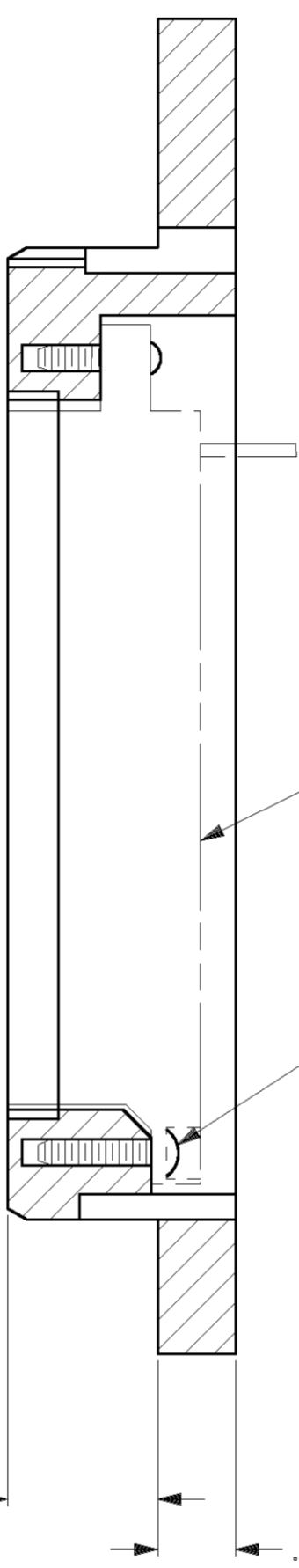


LOC	DIST	P	F	ZONE	LTR	REVISIONS	DATE	APPD
DF	EO				G	REV PER 063D-0362-01 JMK	6-03	RG

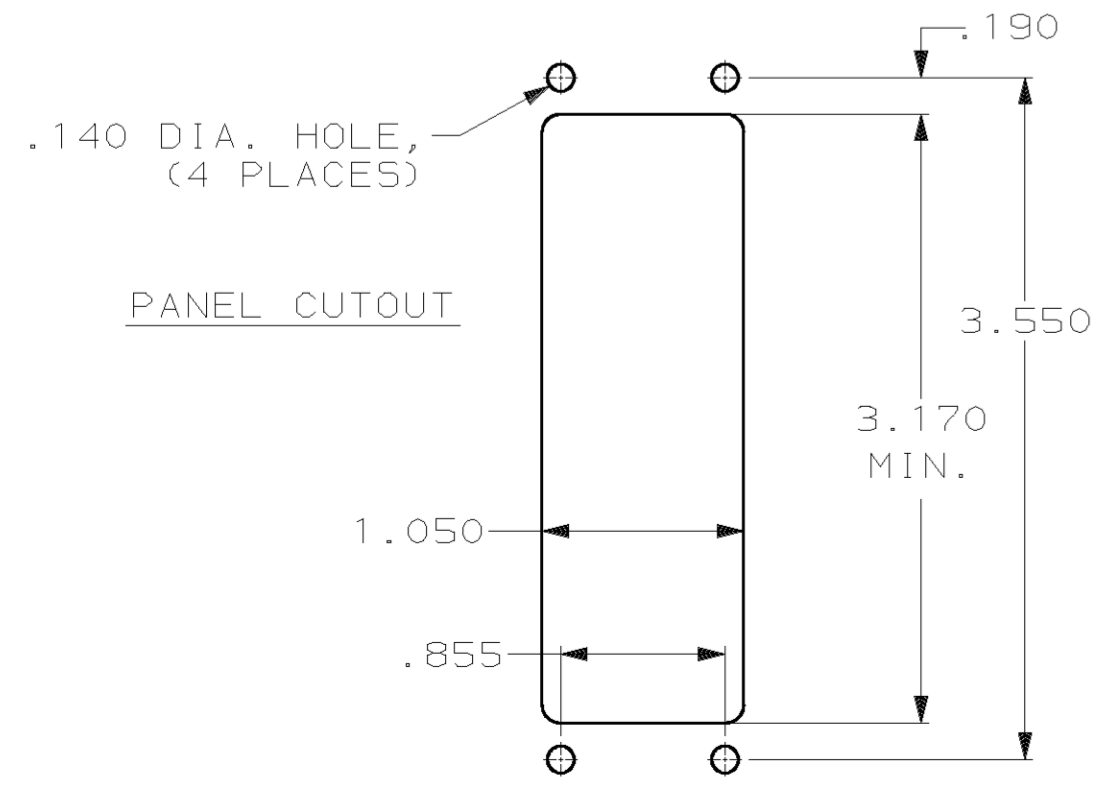
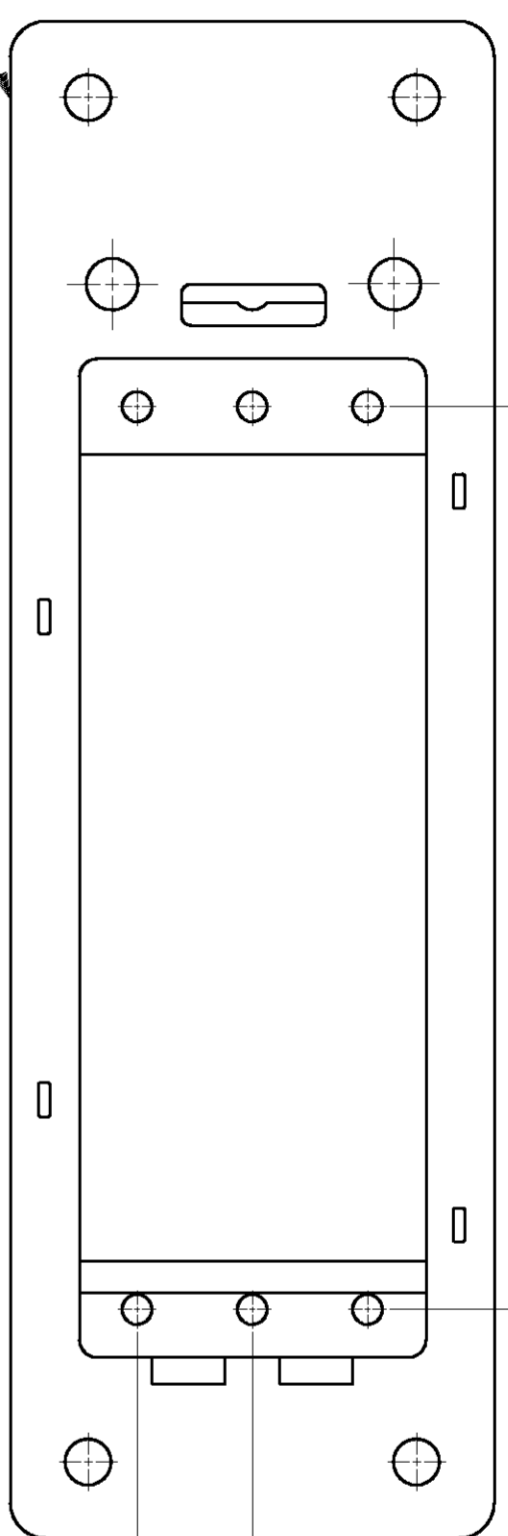


MTG. HOLES FOR #4 SCREWS

RECEPTACLE HOUSING,  
 MAT'L: GLASS REINFORCED  
 THERMOPLASTIC  
 COLOR: BLACK



SECTION A-A



1. PARTS PACKAGED UNASSEMBLED.
- 2 RECPT. MODULE ASSY. SHOWN FOR REF. ONLY, MUST BE ORDERED SEPARATELY.
- 3 AMP P/N & DATE CODE INK STAMPED ON KIT BAG.
- 4 AMP PART NO., DATE CODE AND CUST. PART NO. INK STAMPED ON KIT BAG.

3		207356-2
4	218A4549P1	207356-1
INK STAMPING	CUSTOMER P/N	PART NO

DO NOT SCALE PRINT. UNLESS SPECIFIED DIMENSIONS IN INCHES TOLERANCES ON :		DR 12-19-88 T.WIEST		AMP INCORPORATED Harrisburg, Pa. 17105	
2 PLC DEC ± -		CHK 1-3-89 D.MUMMEY			
3 PLC DEC ± .005		APPD 1-3-89 D.MUMMEY		NAME	
ANGLES ± -		APPD 1-3-89 D.MUMMEY		RECEPTACLE KIT, SIZE 1 (FOR WIRE WRAP)	
MATERIAL		PRODUCT SPEC		SIZE	
-		-		FSCM NO	
FINISH		APPLICATION SPEC		DRAWING NO	
-		-		C 00779	
WEIGHT		-		SCALE	
-		-		2:1	
				SHEET	
				207356	
				1 OF 1	