



Chipsmall Limited consists of a professional team with an average of over 10 year of expertise in the distribution of electronic components. Based in Hongkong, we have already established firm and mutual-benefit business relationships with customers from,Europe,America and south Asia,supplying obsolete and hard-to-find components to meet their specific needs.

With the principle of "Quality Parts,Customers Priority,Honest Operation,and Considerate Service",our business mainly focus on the distribution of electronic components. Line cards we deal with include Microchip,ALPS,ROHM,Xilinx,Pulse,ON,Everlight and Freescale. Main products comprise IC,Modules,Potentiometer,IC Socket,Relay,Connector.Our parts cover such applications as commercial,industrial, and automotives areas.

We are looking forward to setting up business relationship with you and hope to provide you with the best service and solution. Let us make a better world for our industry!



Contact us

Tel: +86-755-8981 8866 Fax: +86-755-8427 6832

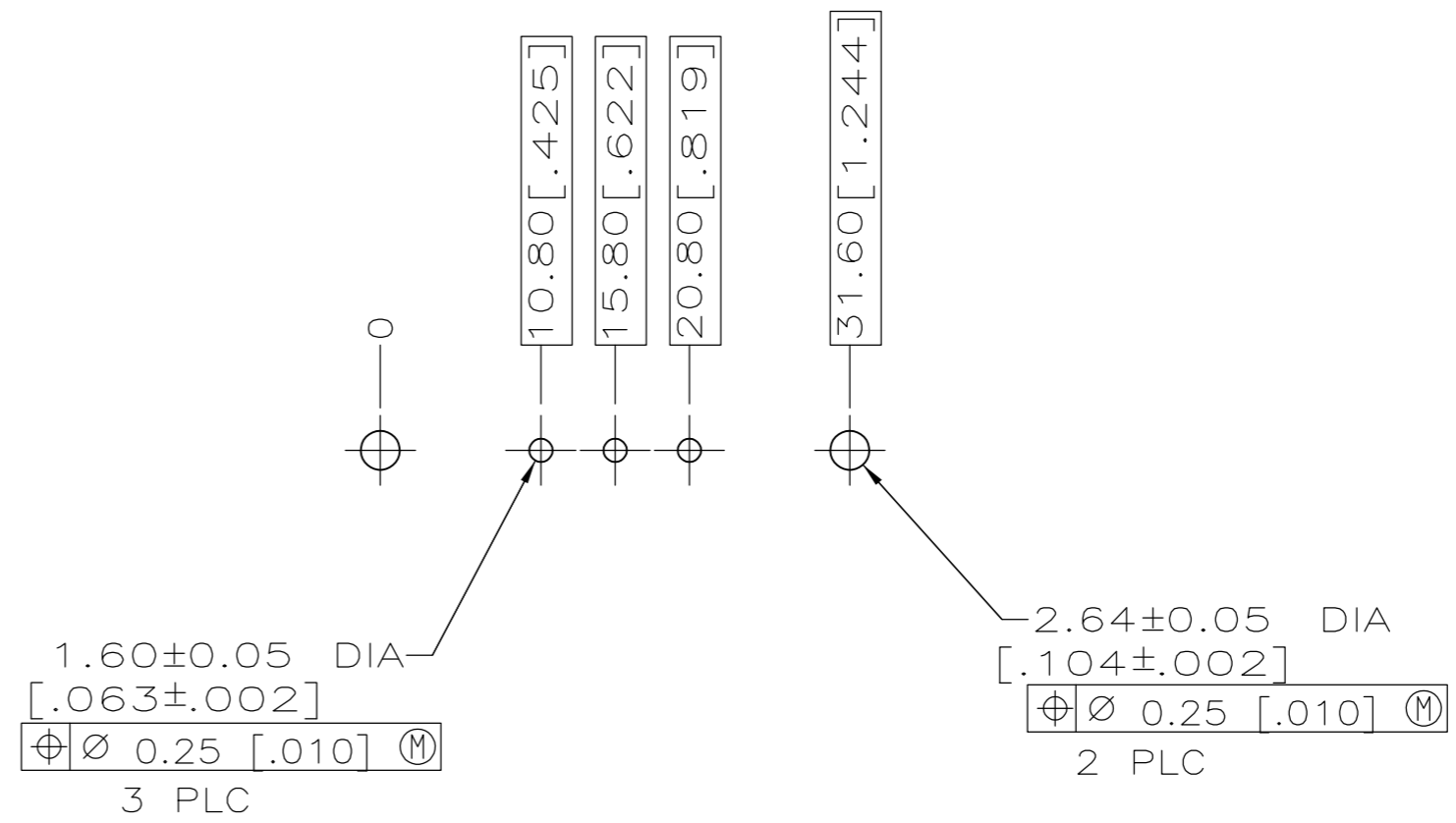
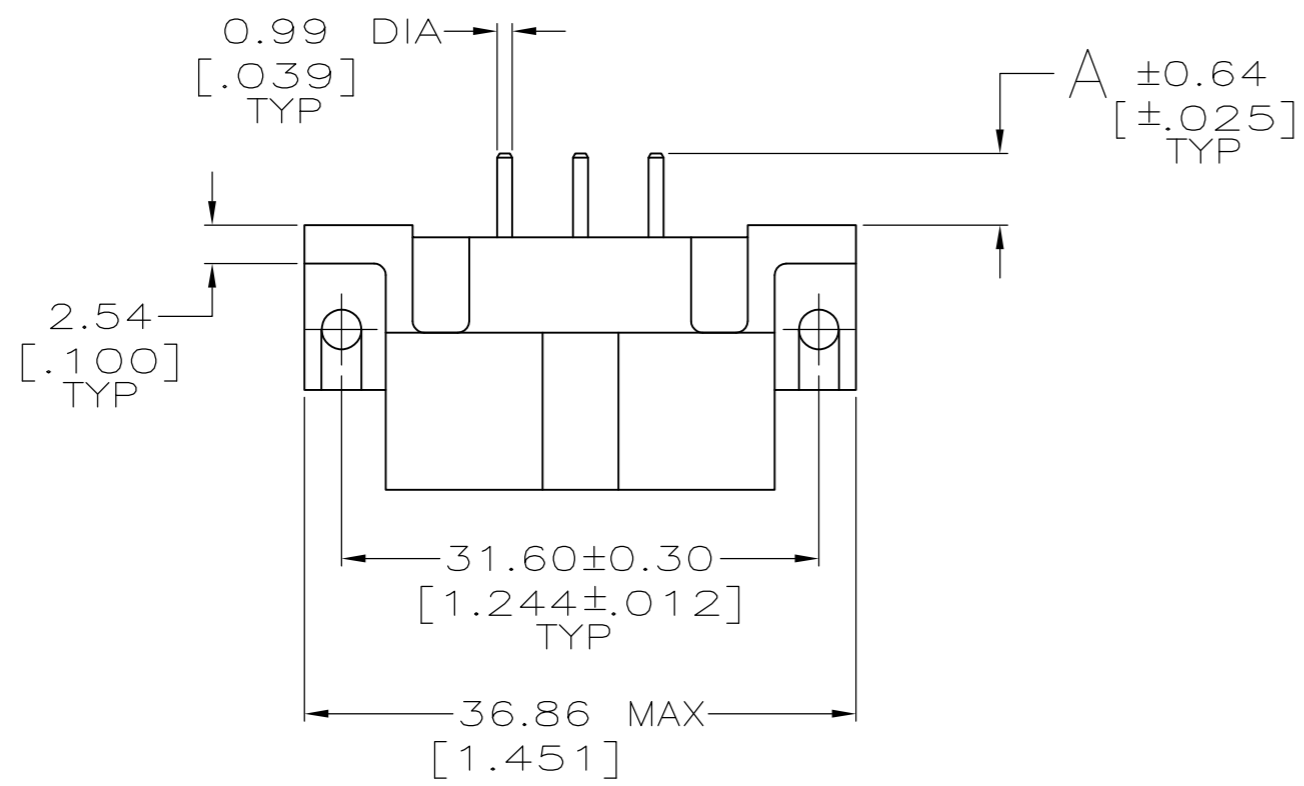
Email & Skype: info@chipsmall.com Web: www.chipsmall.com

Address: A1208, Overseas Decoration Building, #122 Zhenhua RD., Futian, Shenzhen, China

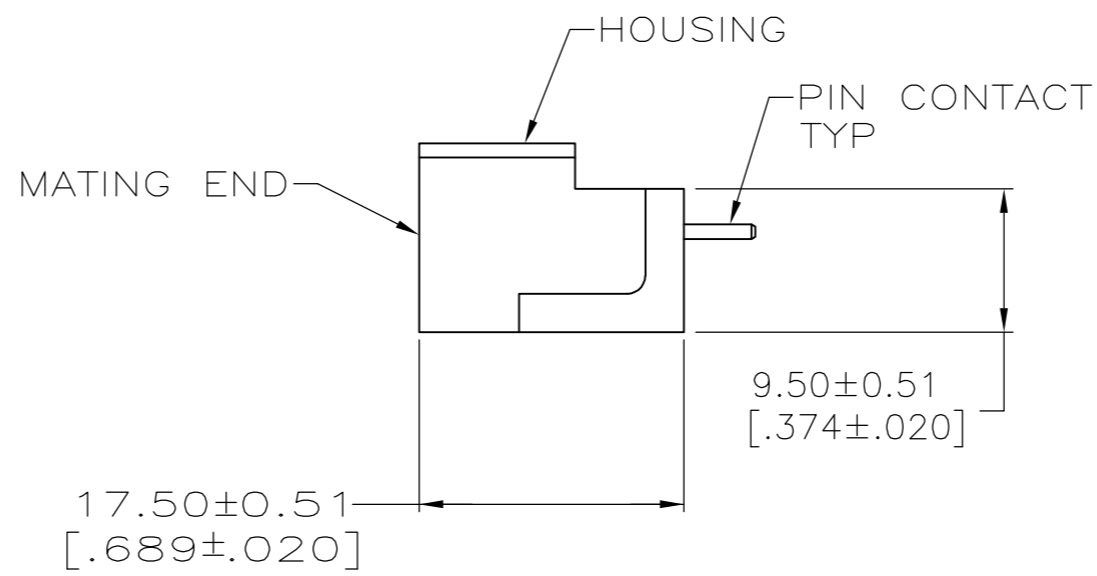
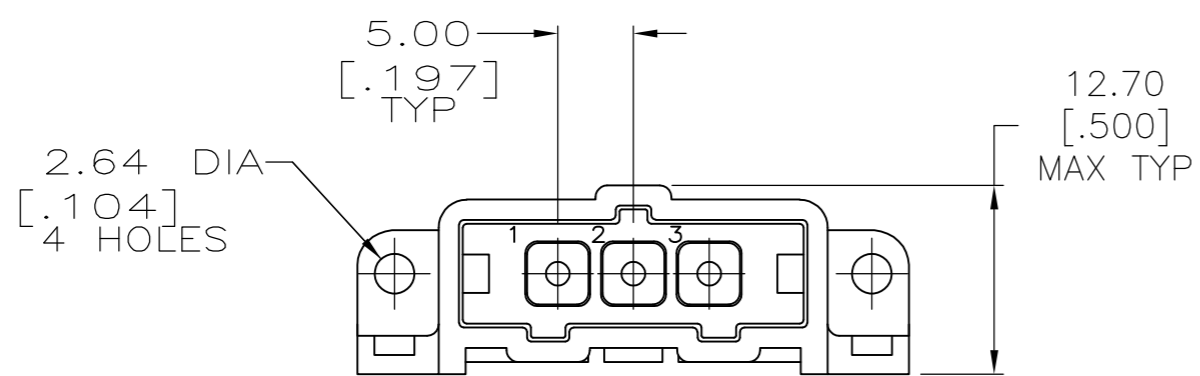


THIS DRAWING IS UNPUBLISHED. RELEASED FOR PUBLICATION
 © COPYRIGHT BY TYCO ELECTRONICS CORPORATION. ALL RIGHTS RESERVED.

LOC	DIST	REVISIONS					
FT	0	P	LTR	DESCRIPTION	DATE	DWN	APVD
		L1		REVISED PER ECO-08-029974	03DEC08	HMR	GS
		L2		REVISED PER ECO-10-000443	13JAN10	KK	AEG



RECOMMENDED PC BOARD LAYOUT



- 1 NYLON, RED.
- 2 BRASS PER ASTM B36.
- 3 3.81um [.000150] MIN TIN-LEAD OVER 2.54um [.000100] MIN COPPER OR 1.27um [.000050] MIN NICKEL.
- 4 0.76um [.000030] MIN GOLD FOR A LENGTH OF 5.08 [.200] MIN FROM MATING END 3.81um [.000150] MIN TIN-LEAD FOR A LENGTH OF 5.36 [.211] MIN FROM OPPOSITE END, BOTH OVER 1.27um [.000050] MIN NICKEL.
- 5 .000150 MIN TIN OVER .000100 MIN CU, OR .000050 MIN NICKEL.
- 6 0.76um [.000030] MIN GOLD FOR A LENGTH OF 5.08 [.200] MIN FROM MATING END 3.81um [.000150] MIN TIN FOR A LENGTH OF 5.36 [.211] MIN FROM OPPOSITE END, BOTH OVER 1.27um [.000050] MIN NICKEL.
- 7 PRELIMINARY PART NUMBER.
- 8 OBSOLETE PARTS: OBSOLETE CIS STREAMLINING PER D.RENAUD/D.SINISI

7	3.50 [.137]	6	1-207365-0
8	OBSOLETE	6	-207365-9-
	4.72 [.186]	6	207365-8
	4.72 [.186]	5	207365-7
	7.52 [.296]	4	207365-6
	4.72 [.186]	4	207365-3
	4.72 [.186]	3	207365-1
	A	FINISH	PART NUMBER

THIS DRAWING IS A CONTROLLED DOCUMENT.		DWN L.SIPE 07/20/92	Tyco Electronics Corporation Tyco Electronics Harrisburg, Pa 17105-3608	
DIMENSIONS: mm [INCHES]		CHK R.STONE 7-24-92	NAME	
TOLERANCES UNLESS OTHERWISE SPECIFIED:		APVD A.TRAVIS 7-24-92	PRODUCT SPEC	
0 PLC ± -		APPLICATION SPEC		
1 PLC ± -		WEIGHT -		
2 PLC ± 0.25 [.010]		SCALE 2:1		
3 PLC ± -		SHEET 1 OF 1		
4 PLC ± -		REV L2		
ANGLES ± -		CUSTOMER DRAWING		
FINISH		SIZE CAGE CODE DRAWING NO RESTRICTED TO		
HOUSING: 1		A2 00779 C=207365		
CONTACTS: 2				