



Chipsmall Limited consists of a professional team with an average of over 10 year of expertise in the distribution of electronic components. Based in Hongkong, we have already established firm and mutual-benefit business relationships with customers from,Europe,America and south Asia,supplying obsolete and hard-to-find components to meet their specific needs.

With the principle of “Quality Parts,Customers Priority,Honest Operation,and Considerate Service”,our business mainly focus on the distribution of electronic components. Line cards we deal with include Microchip,ALPS,ROHM,Xilinx,Pulse,ON,Everlight and Freescale. Main products comprise IC,Modules,Potentiometer,IC Socket,Relay,Connector.Our parts cover such applications as commercial,industrial, and automotives areas.

We are looking forward to setting up business relationship with you and hope to provide you with the best service and solution. Let us make a better world for our industry!



Contact us

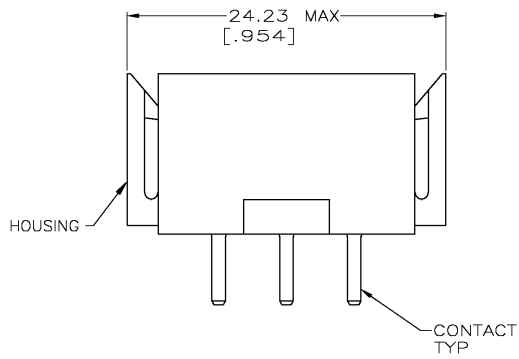
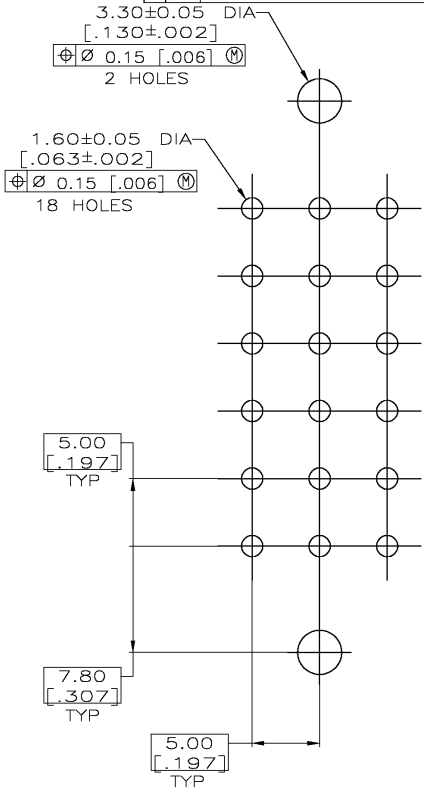
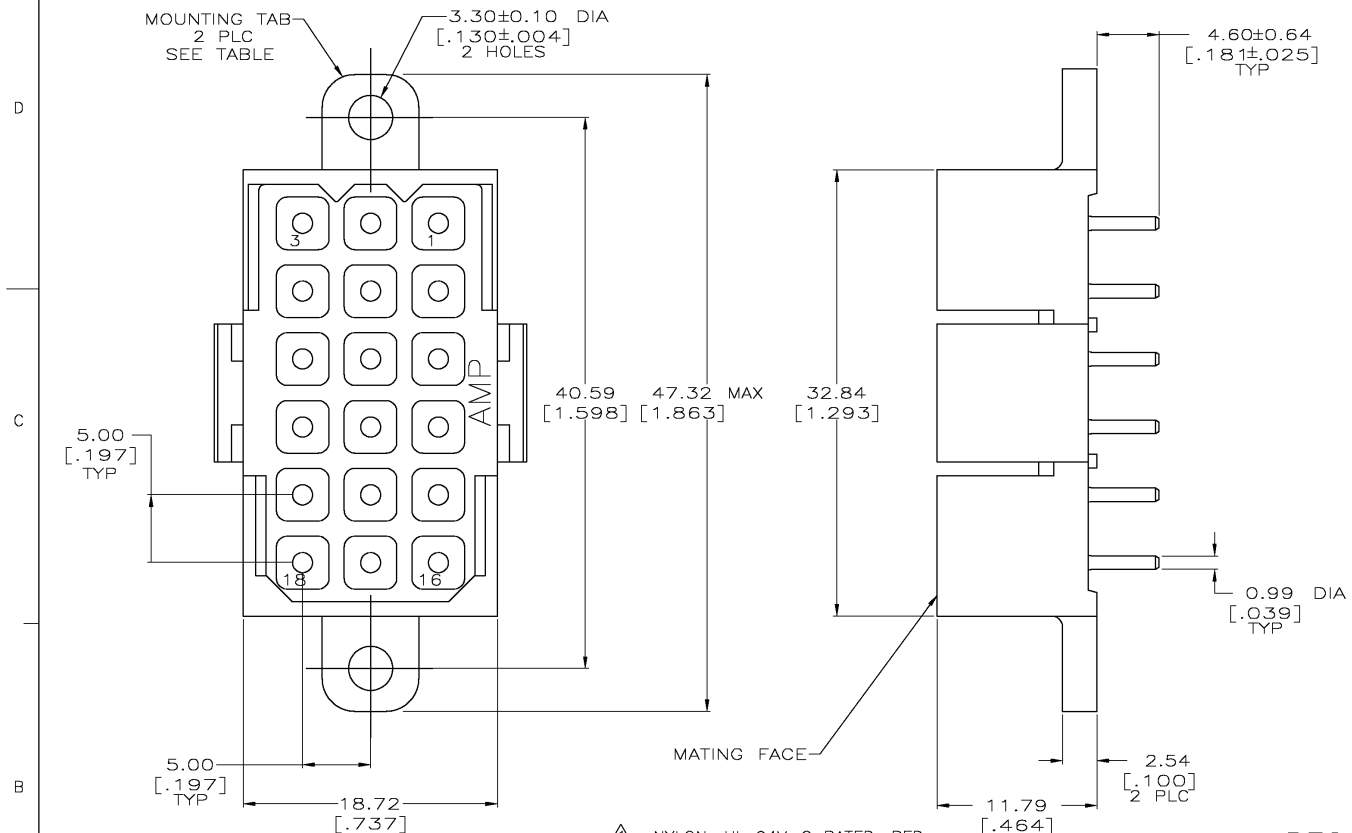
Tel: +86-755-8981 8866 Fax: +86-755-8427 6832

Email & Skype: info@chipsmall.com Web: www.chipsmall.com

Address: A1208, Overseas Decoration Building, #122 Zhenhua RD., Futian, Shenzhen, China



LOC	DIST	REVISIONS			
P	U/R	DESCRIPTION	DATE	DWN	APP'D
FT	13	K	OG3B-0397-03	12MAY03	TK GS



- ▲ NYLON, UL 94V-0 RATED, RED.
- ▲ BRASS PER ASTM B36.
- ▲ 3.81µm [.000150] MIN TIN OVER 2.54µm [.000100] MIN COPPER.
- ▲ 0.76µm [.000030] MIN GOLD FOR A LENGTH OF 5.08 [.200] FROM MATING END, 3.81µm [.000150] MIN TIN-LEAD FOR A LENGTH OF 4.83 [.190] MIN FROM OPPOSITE END, BOTH OVER 1.27µm [.000050] MIN NICKEL.
- ▲ 0.76µm [.000030] MIN GOLD FOR A LENGTH OF 5.08 [.200] FROM MATING END, 3.81µm [.000150] MIN LEAD FREE TIN FOR A LENGTH OF 4.83 [.190] MIN FROM OPPOSITE END, BOTH OVER 1.27µm [.000050] MIN NICKEL.
- ▲ 3.81µm [.000150] MIN LEAD FREE TIN OVER 2.54µm [.000100] MIN COPPER.

RECOMMENDED PC BOARD LAYOUT

CONTACT FINISH	MOUNTING TABS	REV
6	NO	1-207444-0
6	YES	207444-9
5	YES	207444-8
4	NO	207444-4
4	YES	207444-3
3	NO	207444-2
3	YES	207444-1

THIS DRAWING IS A CONTROLLED DOCUMENT.

DW	L SIPE	03/11/92	Tyco Electronics Corporation Harrisburg, Pa
DR	R STONE	3-17-92	
APD	A TRAVIS	3-17-92	PIN HEADER ASSEMBLY, 18 POSITION, METRIMATE
NAME			
DIMENSIONS:	TOLERANCES UNLESS OTHERWISE SPECIFIED:	PRODUCT SPEC	SIZE
INCHES		108-10033	
0 PLC ± -		APPLICATION SPEC	DRAWING NO
1 PLC ± -			A2 00779
2 PLC ± 0.25 [010]			©-207444
3 PLC ± -			RESTRICTED TO
4 PLC ± -			
ANGLES ± -			
MATERIAL	FINISH	WEIGHT	SCALE
HOUSING: 1	CONTACT: SEE TABLE		4:1
		CUSTOMER DRAWING	SHEET 1 OF 1
			REV K

207444