



Chipsmall Limited consists of a professional team with an average of over 10 year of expertise in the distribution of electronic components. Based in Hongkong, we have already established firm and mutual-benefit business relationships with customers from,Europe,America and south Asia,supplying obsolete and hard-to-find components to meet their specific needs.

With the principle of “Quality Parts,Customers Priority,Honest Operation,and Considerate Service”,our business mainly focus on the distribution of electronic components. Line cards we deal with include Microchip,ALPS,ROHM,Xilinx,Pulse,ON,Everlight and Freescale. Main products comprise IC,Modules,Potentiometer,IC Socket,Relay,Connector.Our parts cover such applications as commercial,industrial, and automotives areas.

We are looking forward to setting up business relationship with you and hope to provide you with the best service and solution. Let us make a better world for our industry!



## Contact us

Tel: +86-755-8981 8866 Fax: +86-755-8427 6832

Email & Skype: info@chipsmall.com Web: www.chipsmall.com

Address: A1208, Overseas Decoration Building, #122 Zhenhua RD., Futian, Shenzhen, China



THIS DRAWING IS UNPUBLISHED.

RELEASED FOR PUBLICATION

ALL RIGHTS RESERVED.

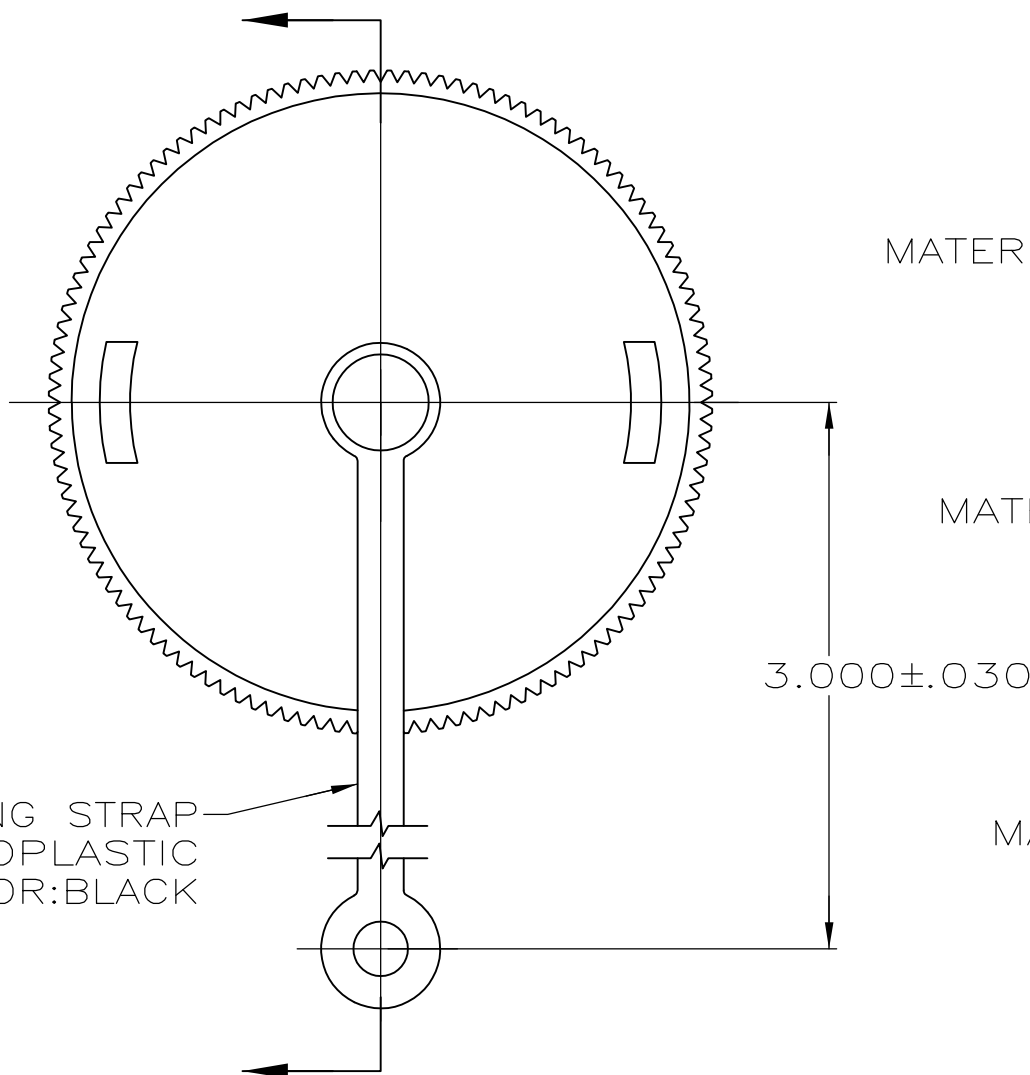
© COPYRIGHT - By -

LOC: BD DIST: 35

REVISIONS

P	LTR	DESCRIPTION	DATE	DWN	APVD
G3		REVISED PER ECO-11-004917	11MAR11	RK	HMR

- 1 FINISH: ZINC PLATE WITH CLEAR CHROMATE
- 2 FINISH: ZINC PLATE WITH NON-HEXAVALENT CHROMATE



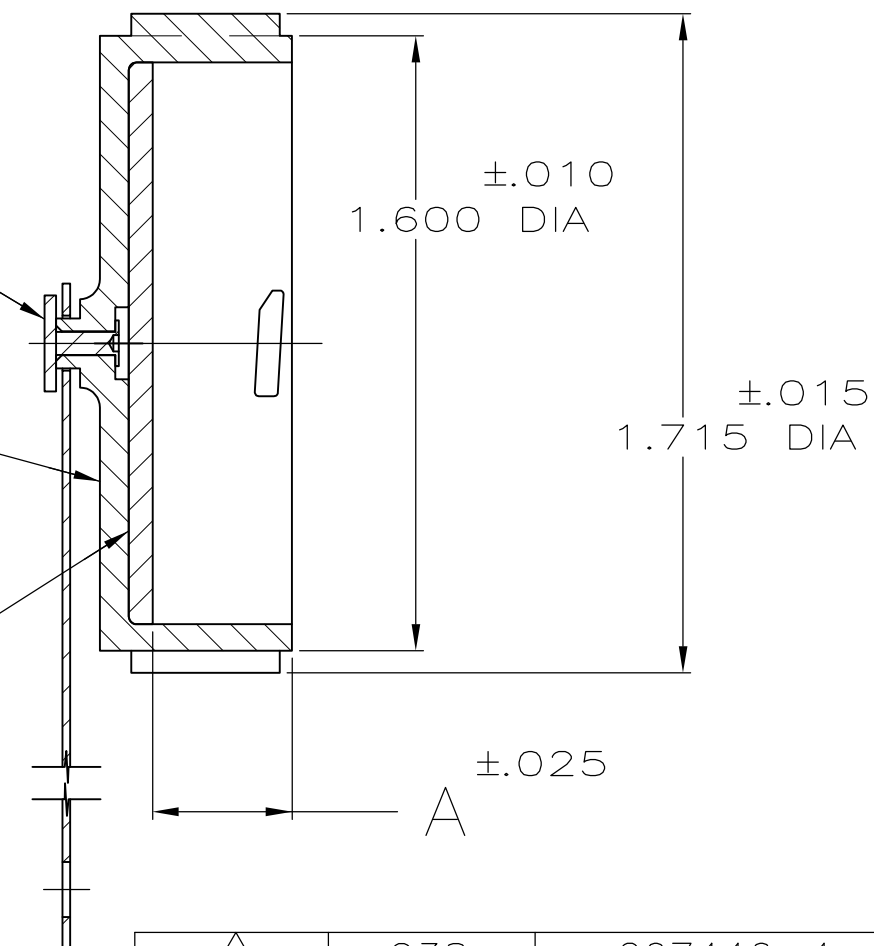
MATERIAL: CARBON STEEL



SEALING CAP MATERIAL: THERMOPLASTIC COLOR: BLACK

SEALING GASKET MATERIAL: ELASTOMER COLOR: BLACK

RIVET STEEL



2	.238	207446-4
2	.363	207446-3
1	.238	207446-2
1	.363	207446-1
FINISH	A	PART NUMBER

SUPERCEDED BY 207446-4  
SUPERCEDED BY 207446-3

THIS DRAWING IS A CONTROLLED DOCUMENT.		DWN S.RIDGLEY BG 8/1/90	<b>STE</b> TE Connectivity	
DIMENSIONS: INCHES		CHK R.STONE 4-26-91		
TOLERANCES UNLESS OTHERWISE SPECIFIED:		APVD K.BEAVER 4-30-91	NAME	
0 PLC ± -		PRODUCT SPEC	SEALING CAP ASSY, SIZE 23, CPC	
1 PLC ± -		APPLICATION SPEC	RESTRICTED TO	
2 PLC ± -		WEIGHT -	SIZE A3	CAGE CODE 00779
3 PLC ± .005			DRAWING NO C-207446	
4 PLC ± -			SCALE 2:1	SHEET 1 OF 1
ANGLES ± -			REV G3	
MATERIAL SEE CALLOUTS		FINISH SEE CALLOUTS	CUSTOMER DRAWING	