



Chipsmall Limited consists of a professional team with an average of over 10 year of expertise in the distribution of electronic components. Based in Hongkong, we have already established firm and mutual-benefit business relationships with customers from,Europe,America and south Asia,supplying obsolete and hard-to-find components to meet their specific needs.

With the principle of “Quality Parts,Customers Priority,Honest Operation,and Considerate Service”,our business mainly focus on the distribution of electronic components. Line cards we deal with include Microchip,ALPS,ROHM,Xilinx,Pulse,ON,Everlight and Freescale. Main products comprise IC,Modules,Potentiometer,IC Socket,Relay,Connector.Our parts cover such applications as commercial,industrial, and automotives areas.

We are looking forward to setting up business relationship with you and hope to provide you with the best service and solution. Let us make a better world for our industry!



Contact us

Tel: +86-755-8981 8866 Fax: +86-755-8427 6832

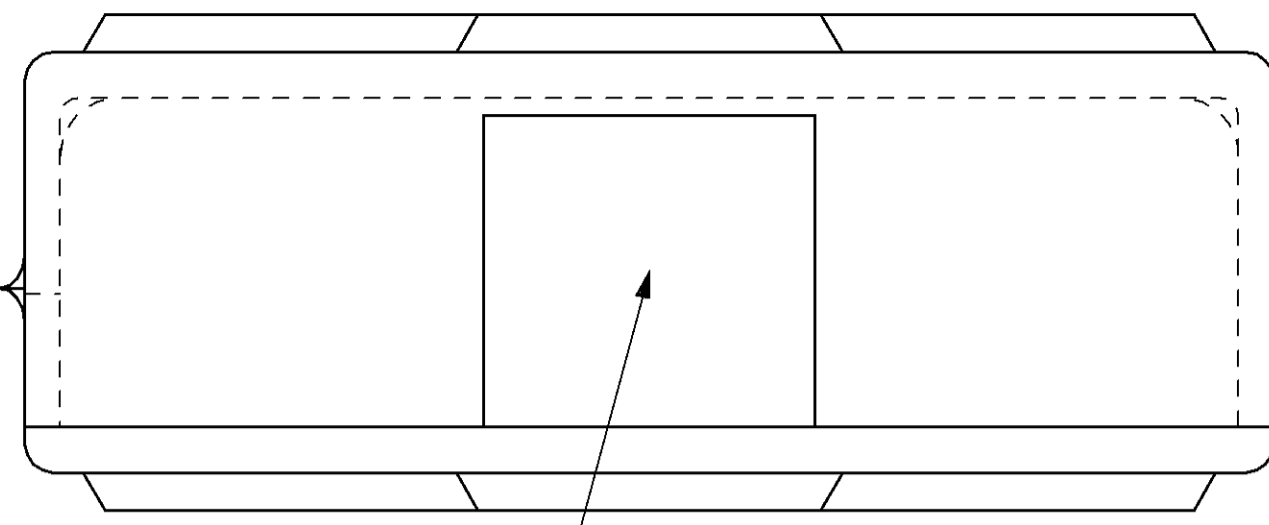
Email & Skype: info@chipsmall.com Web: www.chipsmall.com

Address: A1208, Overseas Decoration Building, #122 Zhenhua RD., Futian, Shenzhen, China



THIS DRAWING IS UNPUBLISHED. RELEASED FOR PUBLICATION, 19
 © COPYRIGHT 19 BY AMP INCORPORATED, HARRISBURG, PA. ALL INTERNATIONAL RIGHTS RESERVED. AMP PRODUCTS MAY BE COVERED BY U.S. AND FOREIGN PATENTS AND/OR PATENTS PENDING.

LOC		DIST		P		F		REVISIONS			
BD	48			ZONE	LTR	DESCRIPTION	DATE	APPD			
					D	REV PER EC 0020-1140-95	19 DEC 95	JS			
					E	OBSOLETE -2 PER EC 0020-779-95	03 FEB 96	CS			

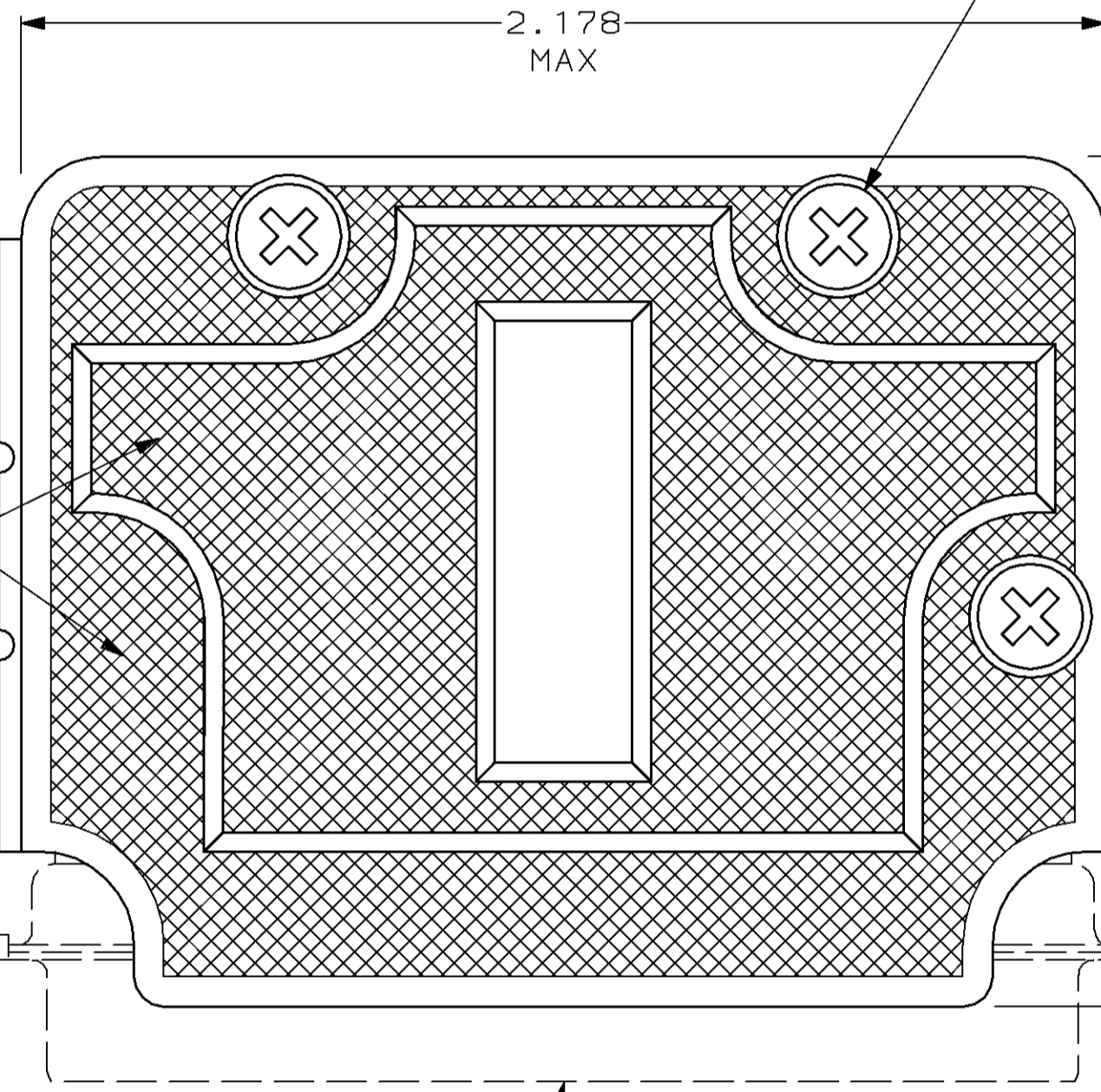


CABLE CLAMP HOUSING

BLANK GATE

SELF-TAPPING SCREW
SEE TABLE

- PARTS PACKAGED UNASSEMBLED.
 - CABLE GATES ARE INTERCHANGEABLE ALLOWING 90° & 180° CABLE EXIT.
- △ COMPONENTS INDIVIDUALLY BULK PACKED AND SHIPPED AS A UNIT PACKAGE KIT.

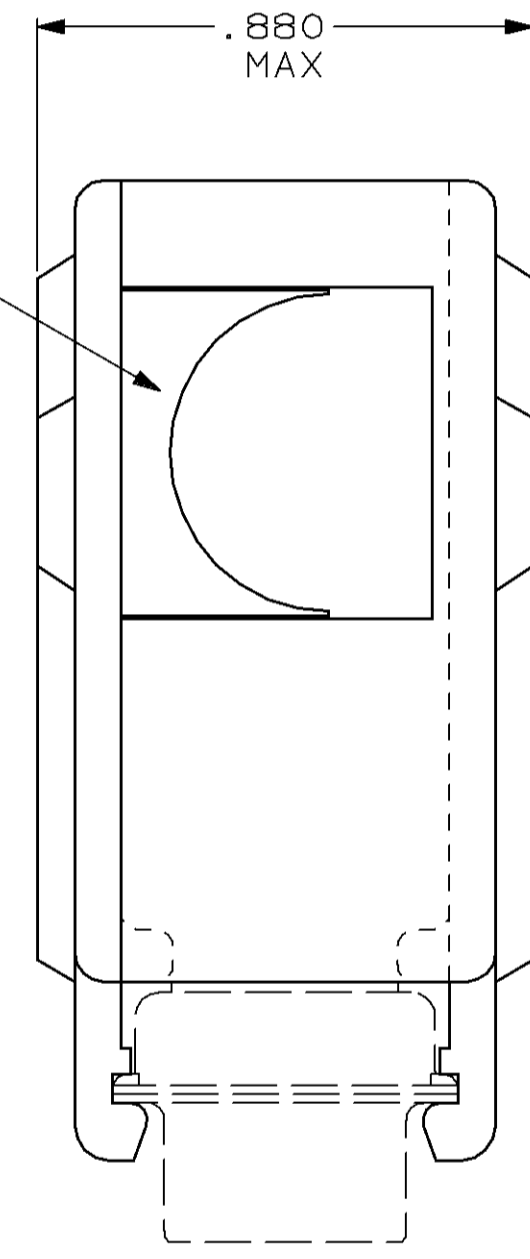


TEXTURED FINISH

2.178
MAX

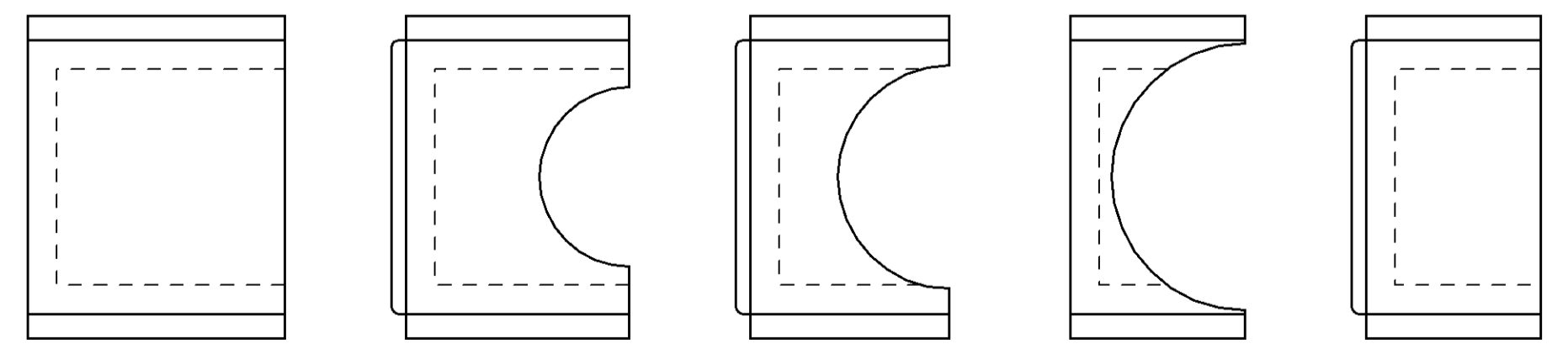
1.550 REF
1.700 ± .015

CABLE GATE



.880
MAX

SIZE 5 CONNECTOR
FOR REF ONLY



5-A BLANK GATE
 5-B .395 DIA CABLE REF
 5-C .475 DIA CABLE REF
 5-D .490 DIA CABLE REF
 5-E .350 DIA CABLE REF
 GATES

	SLOTTED	△	207476-4
	SLOTTED	AS SHOWN	207476-3
OBSOLETE	CROSS-RECESSED	△	207476-2
	CROSS-RECESSED	AS SHOWN	207476-1
	SCREW VERSION	PACKAGING	PART NUMBER

UNLESS OTHERWISE SPECIFIED DIMENSIONS ARE IN INCHES TOLERANCES ON : 2 PL DEC ± - 3 PL DEC ± .005 ANGLES ± -	DR 09-16-86 S.WELDON	AMP INCORPORATED Harrisburg, Pa. 17105		
	CHK 09-16-86 C.RICHARD			
MATERIAL MOLDED PARTS: POLYPROPYLENE, COLOR: BLACK SCREWS: STEEL PER ASTM A108	APPD 09-16-86 S.SCHEIFERLY	NAME CABLE CLAMP KIT, SIZE 5, ONE PIECE, 90° & 180° EXIT, AMPLIMITE®		
	APPD 09-16-86 V.KUMAR			
FINISH SCREWS: ZINC PHOSPHATE PER MIL-P-16232.	PRODUCT SPEC	SIZE	FSCM NO	DRAWING NO
	APPLICATION SPEC	C	00779	207476
WEIGHT	-	SCALE	NTS	SHEET 1 OF 1