



Chipsmall Limited consists of a professional team with an average of over 10 year of expertise in the distribution of electronic components. Based in Hongkong, we have already established firm and mutual-benefit business relationships with customers from,Europe,America and south Asia,supplying obsolete and hard-to-find components to meet their specific needs.

With the principle of “Quality Parts,Customers Priority,Honest Operation,and Considerate Service”,our business mainly focus on the distribution of electronic components. Line cards we deal with include Microchip,ALPS,ROHM,Xilinx,Pulse,ON,Everlight and Freescale. Main products comprise IC,Modules,Potentiometer,IC Socket,Relay,Connector.Our parts cover such applications as commercial,industrial, and automotives areas.

We are looking forward to setting up business relationship with you and hope to provide you with the best service and solution. Let us make a better world for our industry!



## Contact us

Tel: +86-755-8981 8866 Fax: +86-755-8427 6832

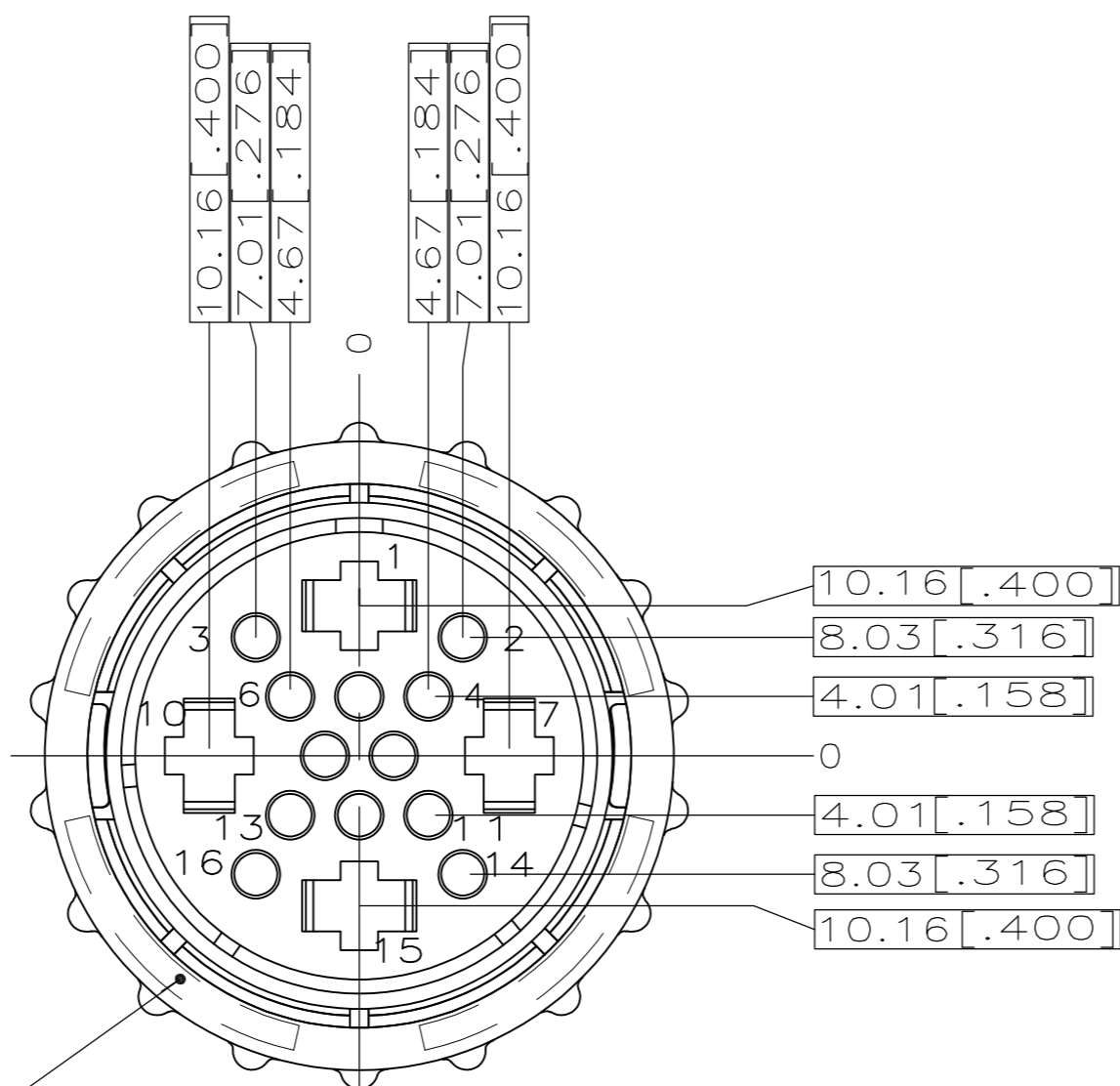
Email & Skype: info@chipsmall.com Web: www.chipsmall.com

Address: A1208, Overseas Decoration Building, #122 Zhenhua RD., Futian, Shenzhen, China



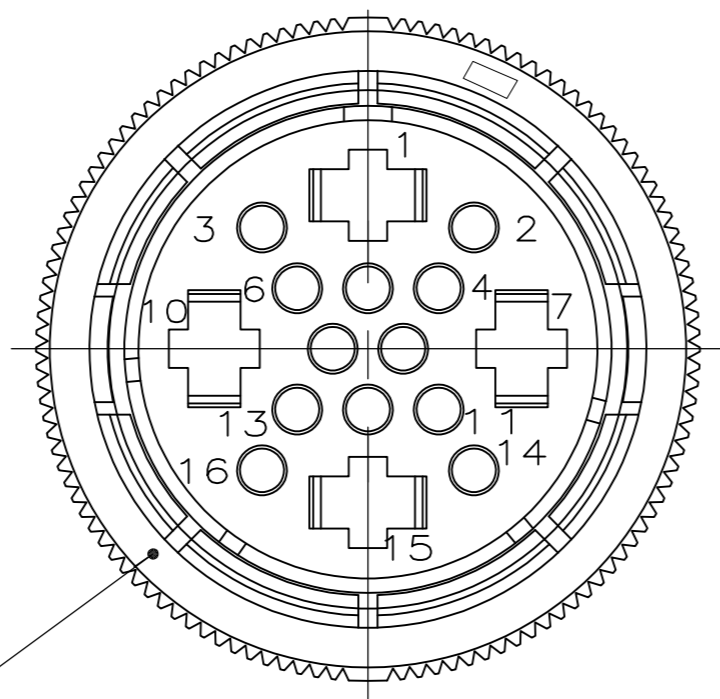
THIS DRAWING IS UNPUBLISHED. RELEASED FOR PUBLICATION  
 © COPYRIGHT - By - ALL RIGHTS RESERVED.

LOC		DIST		REVISIONS			
P	LTR	DESCRIPTION	DATE	DWN	APVD		
FT	4	G2	REVISED PER ECO-11-004820	11MAR11	RK	HMR	



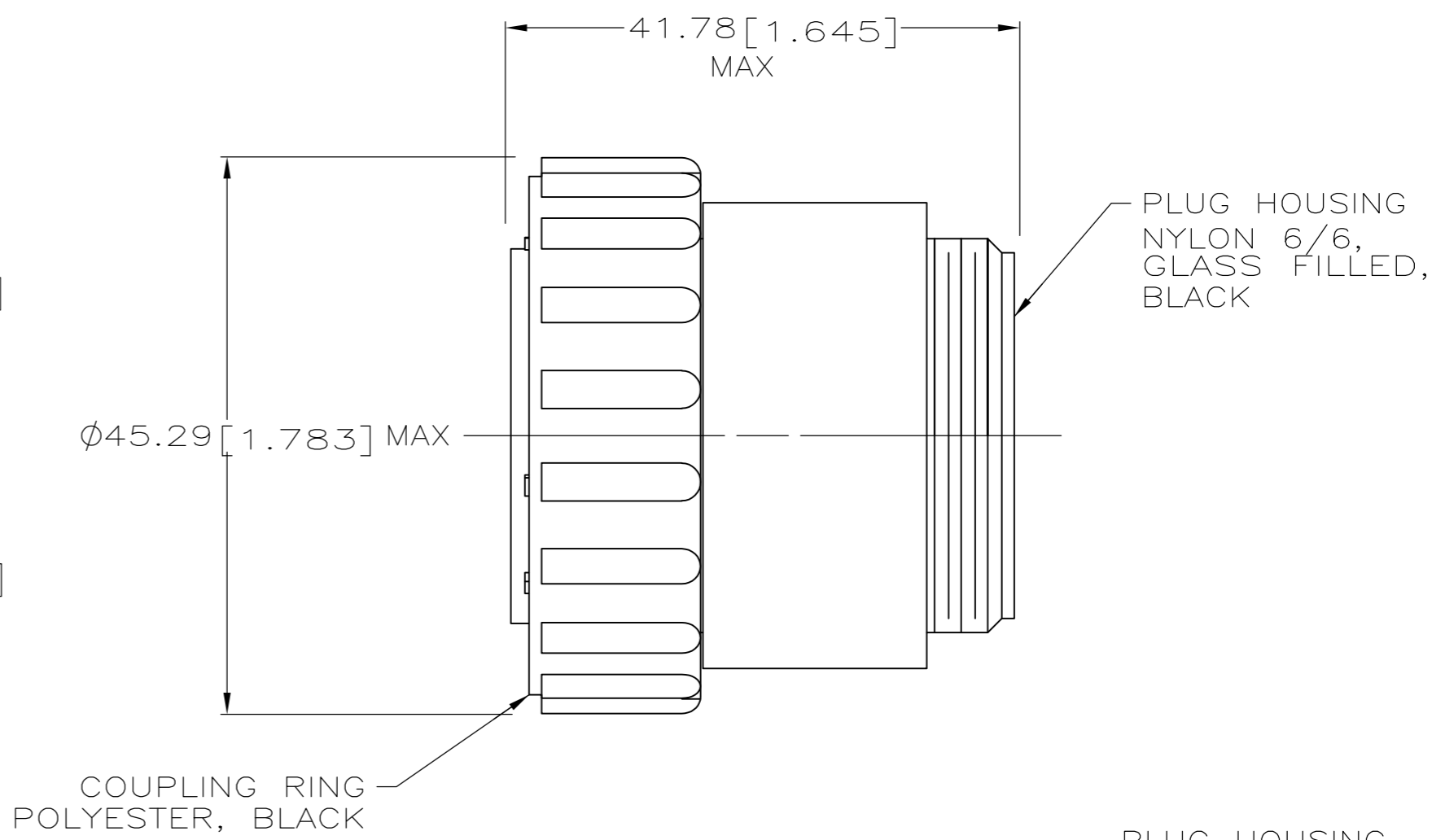
AMP PART NO  
THIS SURFACE

(-1 ONLY)



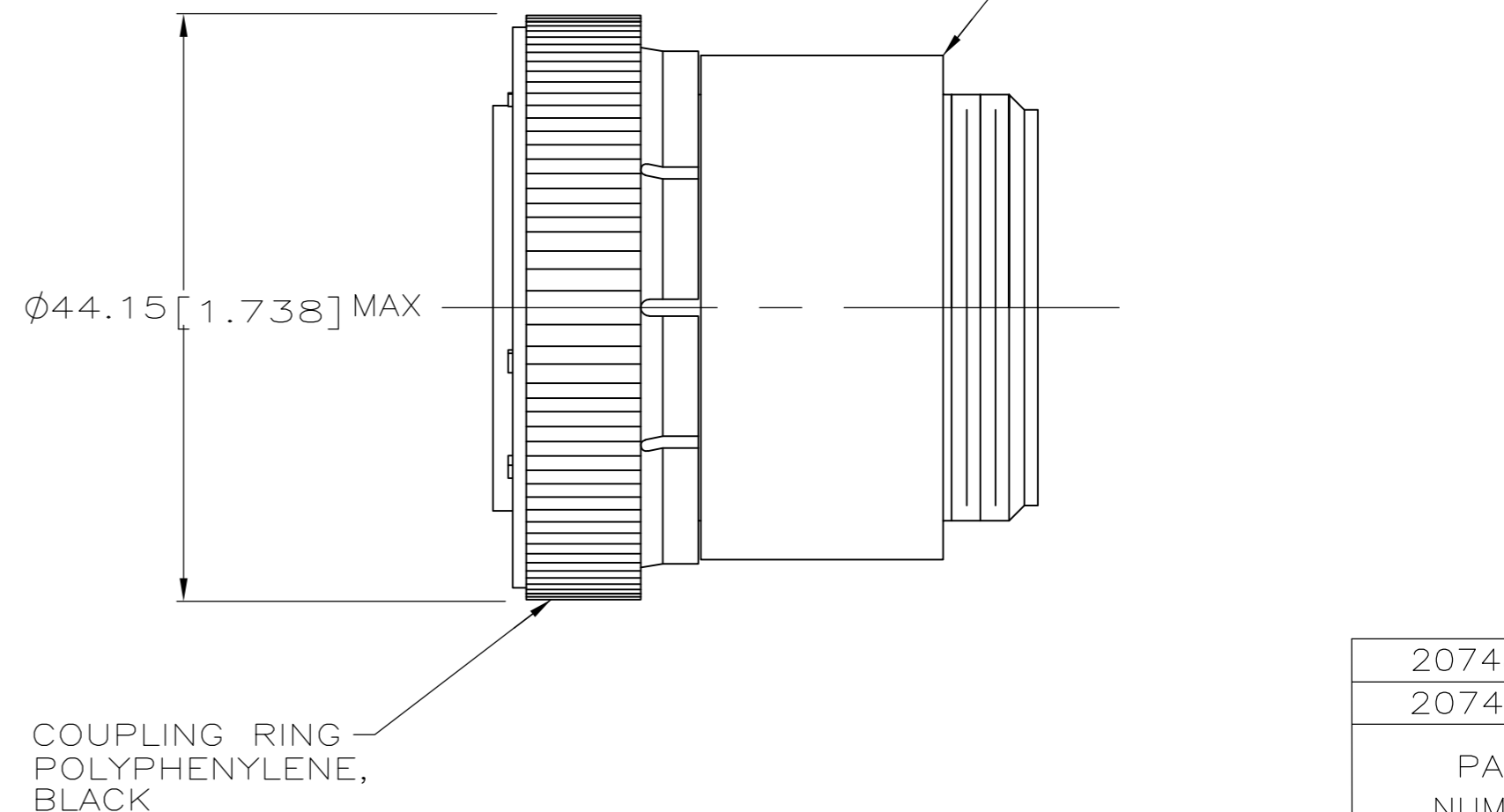
AMP PART NO  
THIS SURFACE

(-2 ONLY)



COUPLING RING  
POLYESTER, BLACK

PLUG HOUSING  
NYLON 6/6,  
GLASS FILLED,  
BLACK



COUPLING RING  
POLYPHENYLENE,  
BLACK

PLUG HOUSING  
NYLON 6/6,  
GLASS FILLED,  
BLACK

- 1 WILL ACCEPT (12) MULTIMATE & (4) TYPE XII SOCKET CONTACTS.
- 2 THIS CONNECTOR WILL ACCEPT INSULATION DIAMETERS UP TO .150.
- 3 CONTACT CAVITIES IDENTIFIED BY CHARACTERS ON FRONT AND REAR FACES OF CONNECTOR.

207485-2
207485-1
PART NUMBER

THIS DRAWING IS A CONTROLLED DOCUMENT.		DWN	S. RIDGLEY BG	31 JUL 90	 TE Connectivity																	
DIMENSIONS: mm [INCHES]		CHK	R. STONE	26 APR 91																		
TOLERANCES UNLESS OTHERWISE SPECIFIED:		APVD	K. BEAVER	03 APR 91																		
<table border="1"> <tr><td>0 PLC</td><td>±</td><td>-</td></tr> <tr><td>1 PLC</td><td>±</td><td>-</td></tr> <tr><td>2 PLC</td><td>±</td><td>-</td></tr> <tr><td>3 PLC</td><td>±</td><td>-</td></tr> <tr><td>4 PLC</td><td>±</td><td>-</td></tr> <tr><td>4 PLC ANGLES</td><td>±</td><td>-</td></tr> </table>		0 PLC	±	-		1 PLC	±	-	2 PLC	±	-	3 PLC	±	-	4 PLC	±	-	4 PLC ANGLES	±	-	NAME	108-10024
0 PLC	±	-																				
1 PLC	±	-																				
2 PLC	±	-																				
3 PLC	±	-																				
4 PLC	±	-																				
4 PLC ANGLES	±	-																				
MATERIAL SEE CALLOUT		FINISH	-	WEIGHT	-																	
		CUSTOMER DRAWING		SCALE	2:1																	
		SHEET		1 of 1	REV																	
		G2																				