



Chipsmall Limited consists of a professional team with an average of over 10 year of expertise in the distribution of electronic components. Based in Hongkong, we have already established firm and mutual-benefit business relationships with customers from,Europe,America and south Asia,supplying obsolete and hard-to-find components to meet their specific needs.

With the principle of "Quality Parts,Customers Priority,Honest Operation,and Considerate Service",our business mainly focus on the distribution of electronic components. Line cards we deal with include Microchip,ALPS,ROHM,Xilinx,Pulse,ON,Everlight and Freescale. Main products comprise IC,Modules,Potentiometer,IC Socket,Relay,Connector.Our parts cover such applications as commercial,industrial, and automotives areas.

We are looking forward to setting up business relationship with you and hope to provide you with the best service and solution. Let us make a better world for our industry!



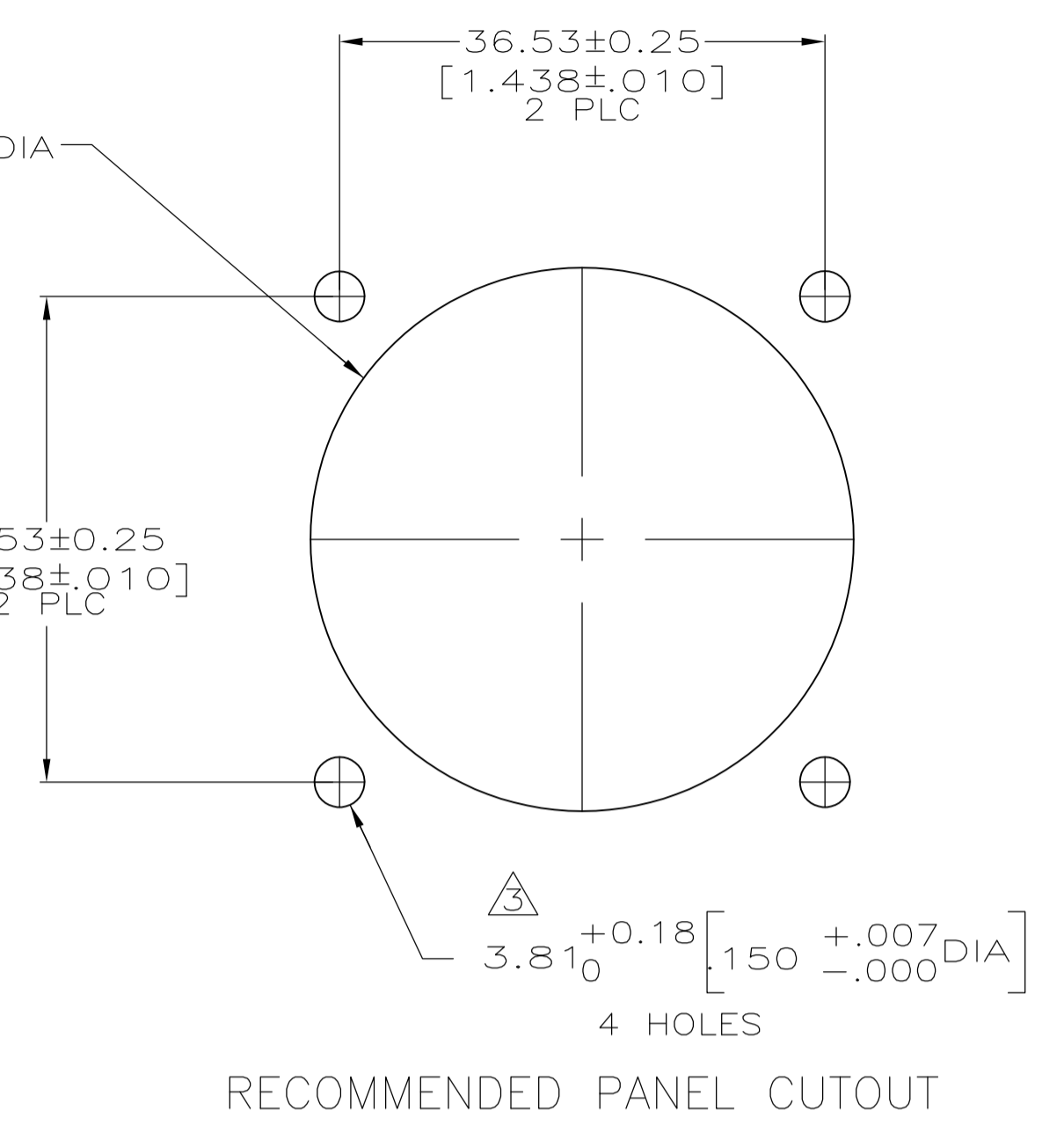
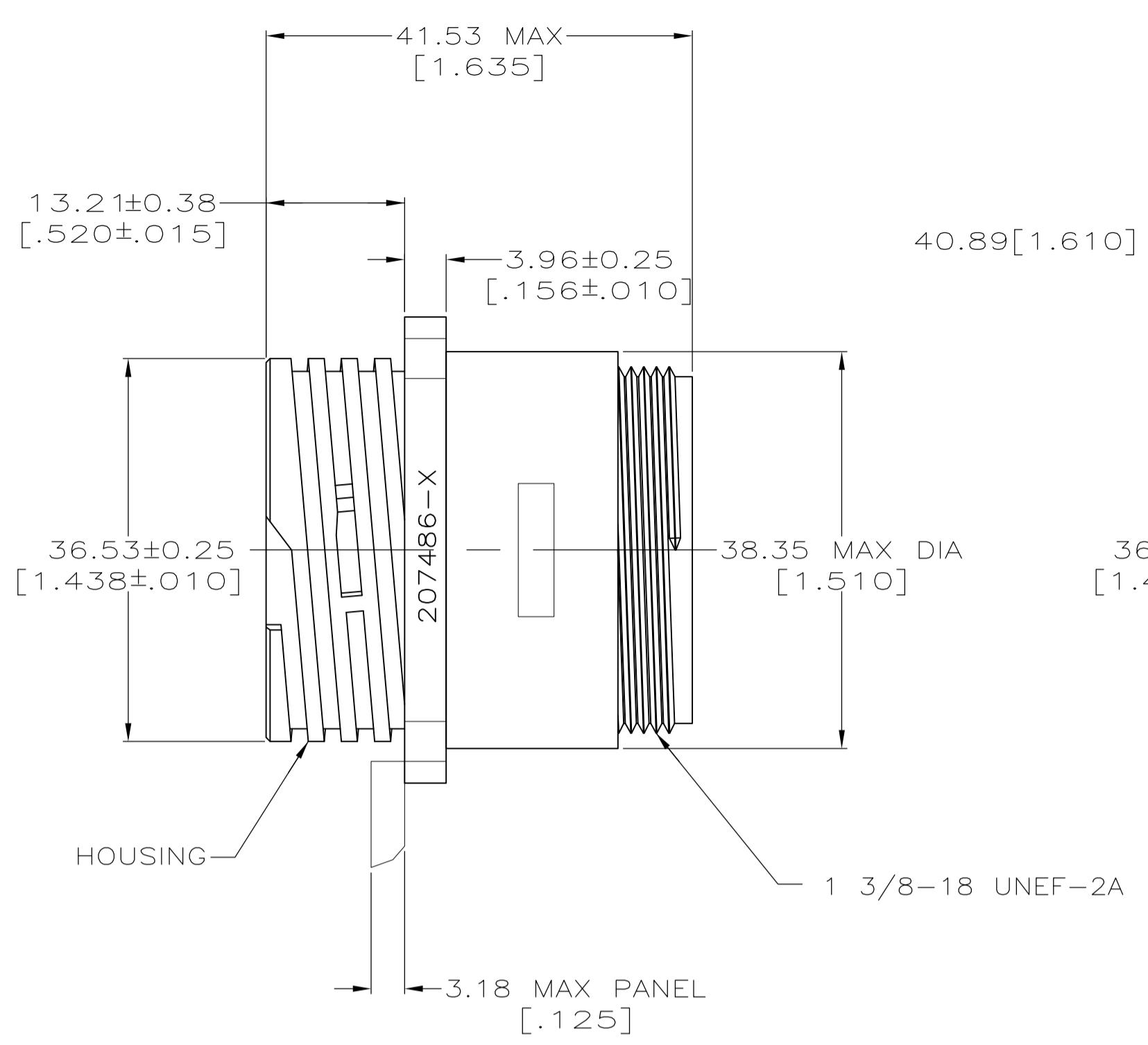
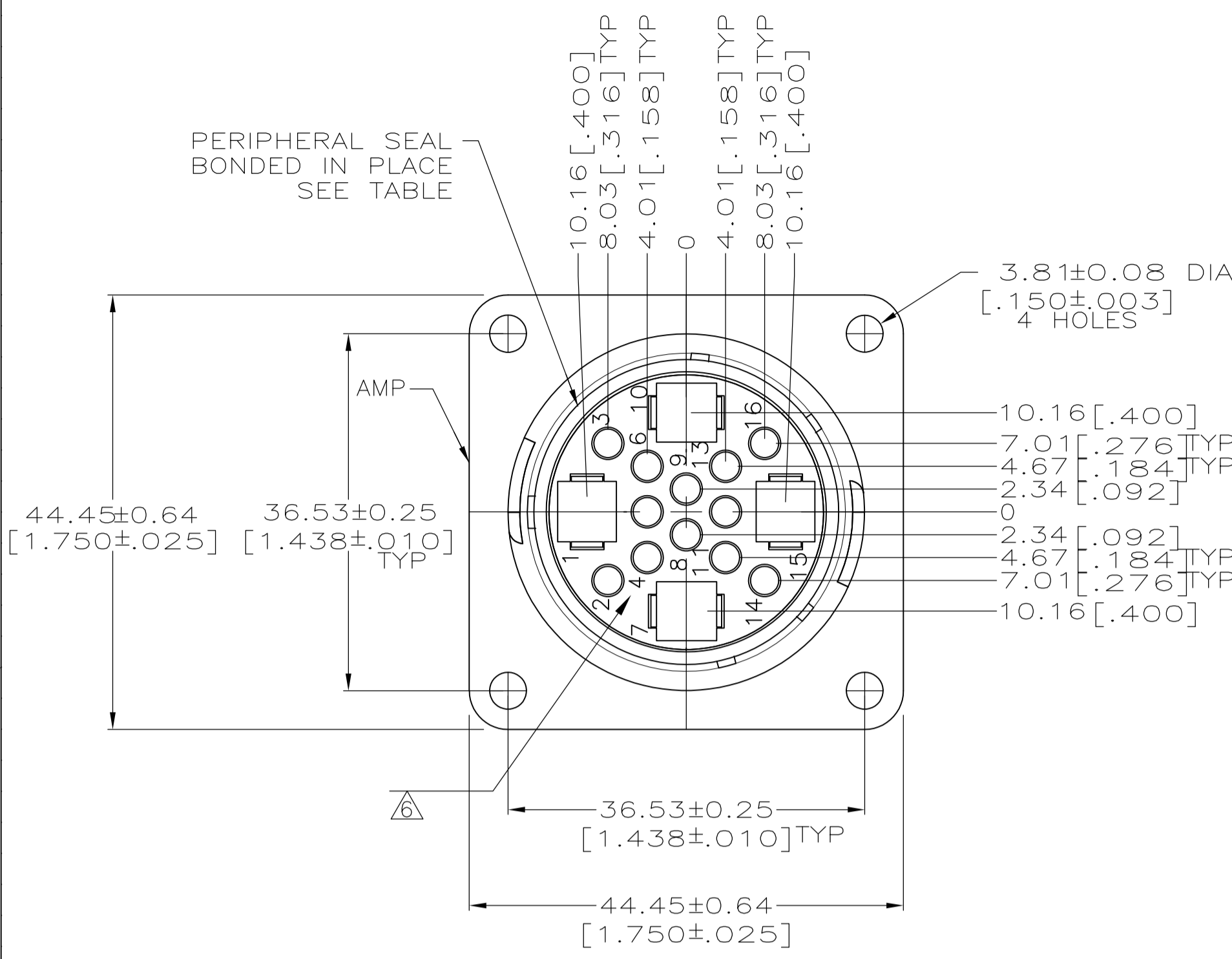
## Contact us

Tel: +86-755-8981 8866 Fax: +86-755-8427 6832

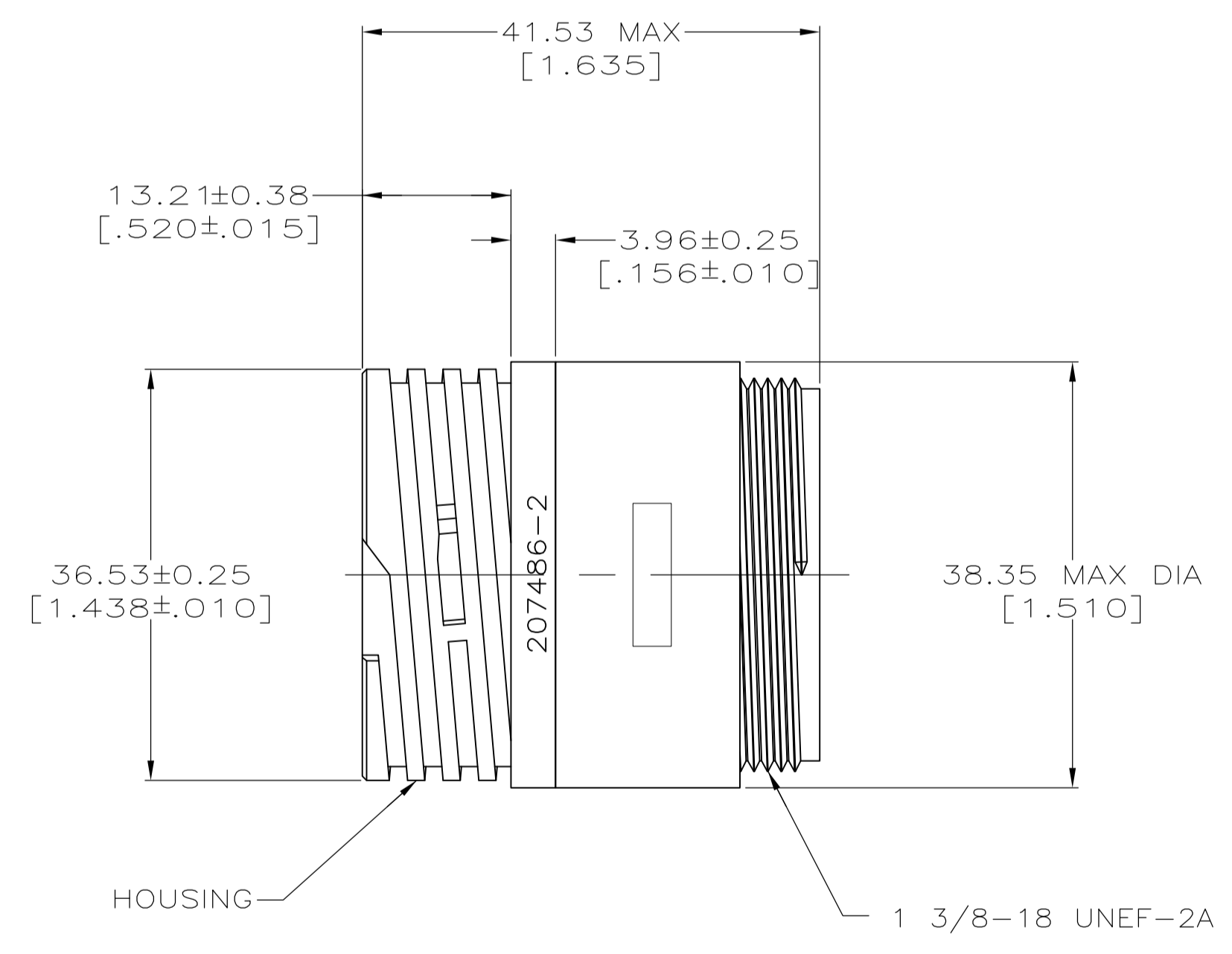
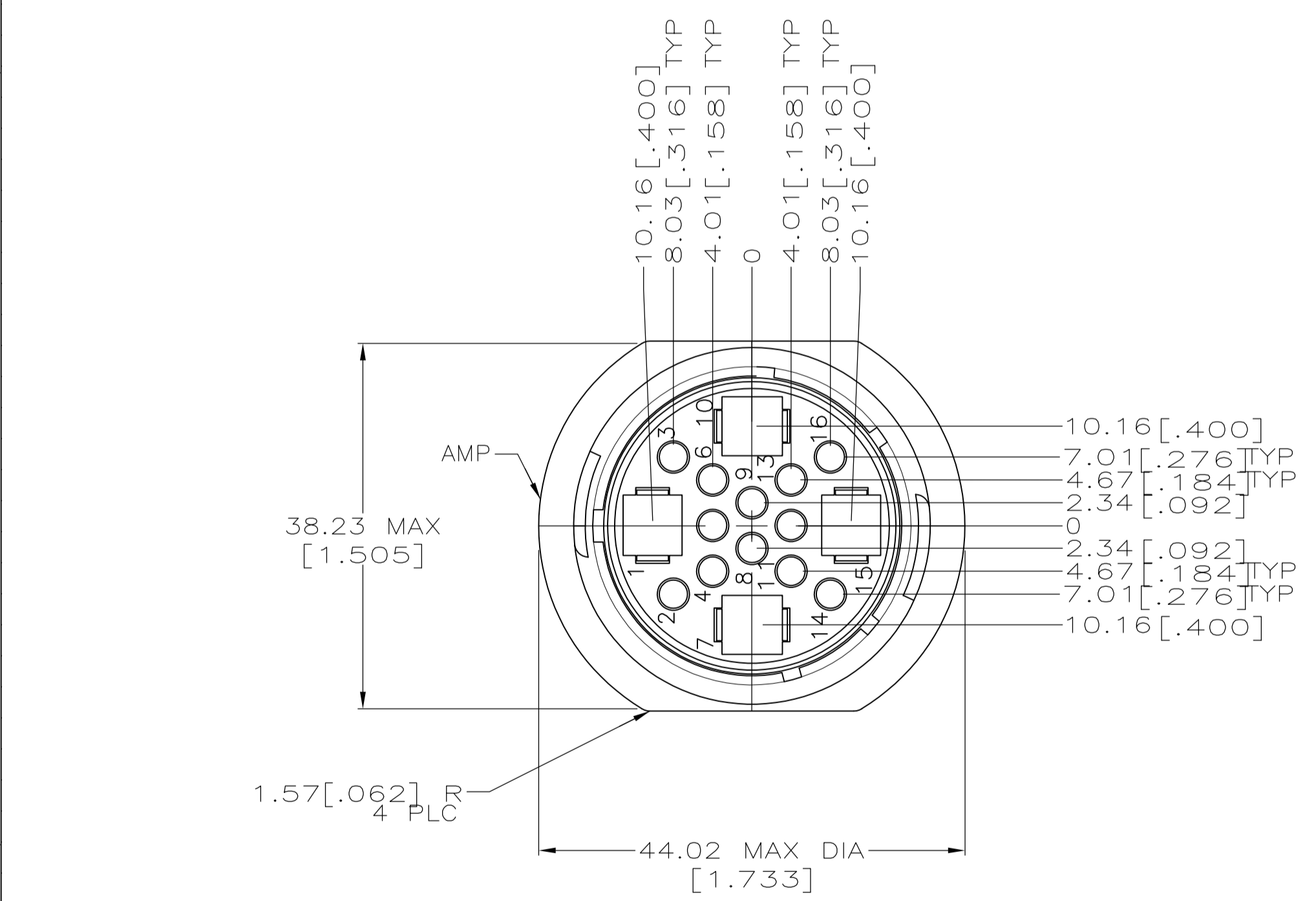
Email & Skype: info@chipsmall.com Web: www.chipsmall.com

Address: A1208, Overseas Decoration Building, #122 Zhenhua RD., Futian, Shenzhen, China





DETAIL A



DETAIL B

- WILL ACCEPT (12) MULTIMATE AND (4) TYPE XII PIN CONTACTS.
  - CAVITY IDENTIFICATION ON FRONT AND REAR FACE.
  - NO. 4 FASTENERS RECOMMENDED FOR MOUNTING.
  - THIS CONNECTOR WILL ACCEPT INSULATION DIAMETERS UP TO 3.81 [.150].
- HOUSING: NYLON, BLACK.
  - PERIPHERAL SEAL: ELASTOMER, GRAY.
  - PERMANENT WHITE MARKED OR WHITE INK STAMPED CAVITY IDENTIFICATION.
  - HOUSING: NYLON, RED.
  - PERIPHERAL SEAL: ELASTOMER, GRAY.
  - WHITE DOT NEAR POSITION 1 ON WIRE ENTRY FACE.

PRELIMINARY	△/△	-	YES	A	1-207486-1
PRELIMINARY	△/△	-	YES	A	207486-9
PRELIMINARY	△/△	-	YES	A	207486-7
	△/△	4	YES	A	207486-6
	△/△	-	YES	A	207486-5
	△/△	-	NO	B	207486-2
	△/△	-	NO	A	207486-1
NOTES	THREADED INSERTS	PERIPHERAL SEAL	SEE DETAIL	PART NUMBER	

THIS DRAWING IS A CONTROLLED DOCUMENT.

DIMENSIONS: INCHES	TOLERANCES UNLESS OTHERWISE SPECIFIED:	DIN M. BINNER 05/26/94	APVD R. STONE 6-23-94	TE Connectivity RECEPTACLE HOUSING, STANDARD SEX, SHELL SIZE 23, CPC	
0 PLC ± -	1 PLC ± -	PRODUCT SPEC 108-10024	NAME	SIZE A1	CAGE CODE 00779
2 PLC ± 0.13 [.005]	3 PLC ± -	APPLICATION SPEC	WEIGHT	DRAWING NO. C=207486	RESTRICTED TO
4 PLC ± -	ANGLES ± -	FINISH	CUSTOMER DRAWING	SCALE 2:1	SHEET 1 OF 1