



Chipsmall Limited consists of a professional team with an average of over 10 year of expertise in the distribution of electronic components. Based in Hongkong, we have already established firm and mutual-benefit business relationships with customers from,Europe,America and south Asia,supplying obsolete and hard-to-find components to meet their specific needs.

With the principle of “Quality Parts,Customers Priority,Honest Operation,and Considerate Service”,our business mainly focus on the distribution of electronic components. Line cards we deal with include Microchip,ALPS,ROHM,Xilinx,Pulse,ON,Everlight and Freescale. Main products comprise IC,Modules,Potentiometer,IC Socket,Relay,Connector.Our parts cover such applications as commercial,industrial, and automotives areas.

We are looking forward to setting up business relationship with you and hope to provide you with the best service and solution. Let us make a better world for our industry!



Contact us

Tel: +86-755-8981 8866 Fax: +86-755-8427 6832

Email & Skype: info@chipsmall.com Web: www.chipsmall.com

Address: A1208, Overseas Decoration Building, #122 Zhenhua RD., Futian, Shenzhen, China



4

3

2

1

THIS DRAWING IS UNPUBLISHED.

RELEASED FOR PUBLICATION

- . - .

LOC

DIST

REVISIONS

© COPYRIGHT - By -

ALL RIGHTS RESERVED.

BD

35

P

LTR

DESCRIPTION

DATE

DWN

APVD

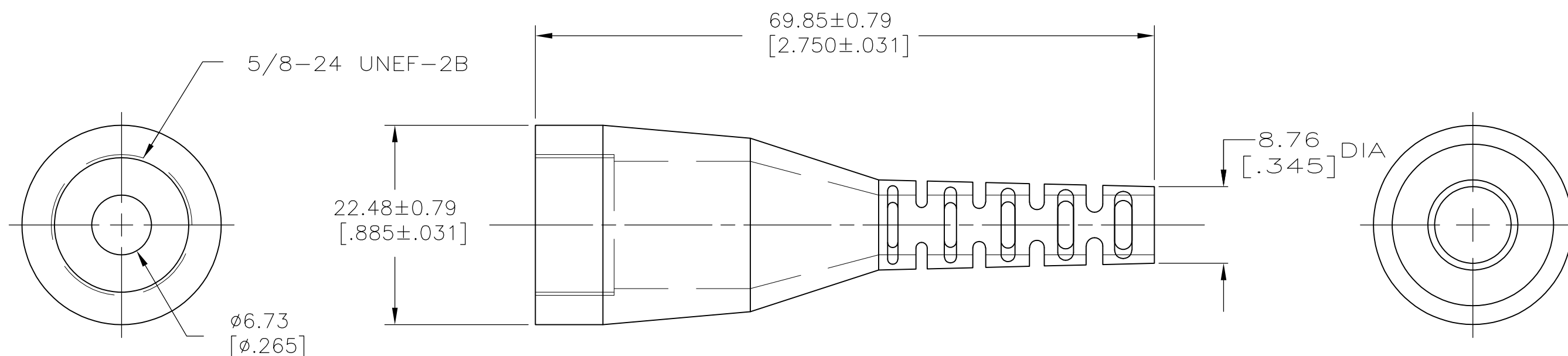
C1

REVISED PER ECO-11-005027

11MAR11

RK


HMR



1. CABLE RANGE IS 3.81 [.150] - 6.35 [.250] WHEN USED WITH CABLE GRIPPER P/N 207490-1.

207489-1

PART NO

THIS DRAWING IS A CONTROLLED DOCUMENT.		DWN M.BINNER 07/29/94	 TE Connectivity				
DIMENSIONS: mm [INCHES]		CHK R.STONE 8-8-94					
TOLERANCES UNLESS OTHERWISE SPECIFIED:		APVD A.FRANTUM 8-9-94	NAME CABLE BOOT, FLEXIBLE, SIZE II, CPC				
0 PLC ± - 1 PLC ± - 2 PLC ± 0.13 [.005] 3 PLC ± - 4 PLC ± - ANGLES ± -		PRODUCT SPEC -	APPLICATION SPEC -				
MATERIAL THERMOPLASTIC COLOR: BLACK		FINISH -	WEIGHT -	SIZE A3	CAGE CODE 00779	DRAWING NO C-207489	RESTRICTED TO -
CUSTOMER DRAWING			SCALE 2:1	SHEET 1 OF 1	REV C1		