



Chipsmall Limited consists of a professional team with an average of over 10 year of expertise in the distribution of electronic components. Based in Hongkong, we have already established firm and mutual-benefit business relationships with customers from,Europe,America and south Asia,supplying obsolete and hard-to-find components to meet their specific needs.

With the principle of “Quality Parts,Customers Priority,Honest Operation,and Considerate Service”,our business mainly focus on the distribution of electronic components. Line cards we deal with include Microchip,ALPS,ROHM,Xilinx,Pulse,ON,Everlight and Freescale. Main products comprise IC,Modules,Potentiometer,IC Socket,Relay,Connector.Our parts cover such applications as commercial,industrial, and automotives areas.

We are looking forward to setting up business relationship with you and hope to provide you with the best service and solution. Let us make a better world for our industry!



Contact us

Tel: +86-755-8981 8866 Fax: +86-755-8427 6832

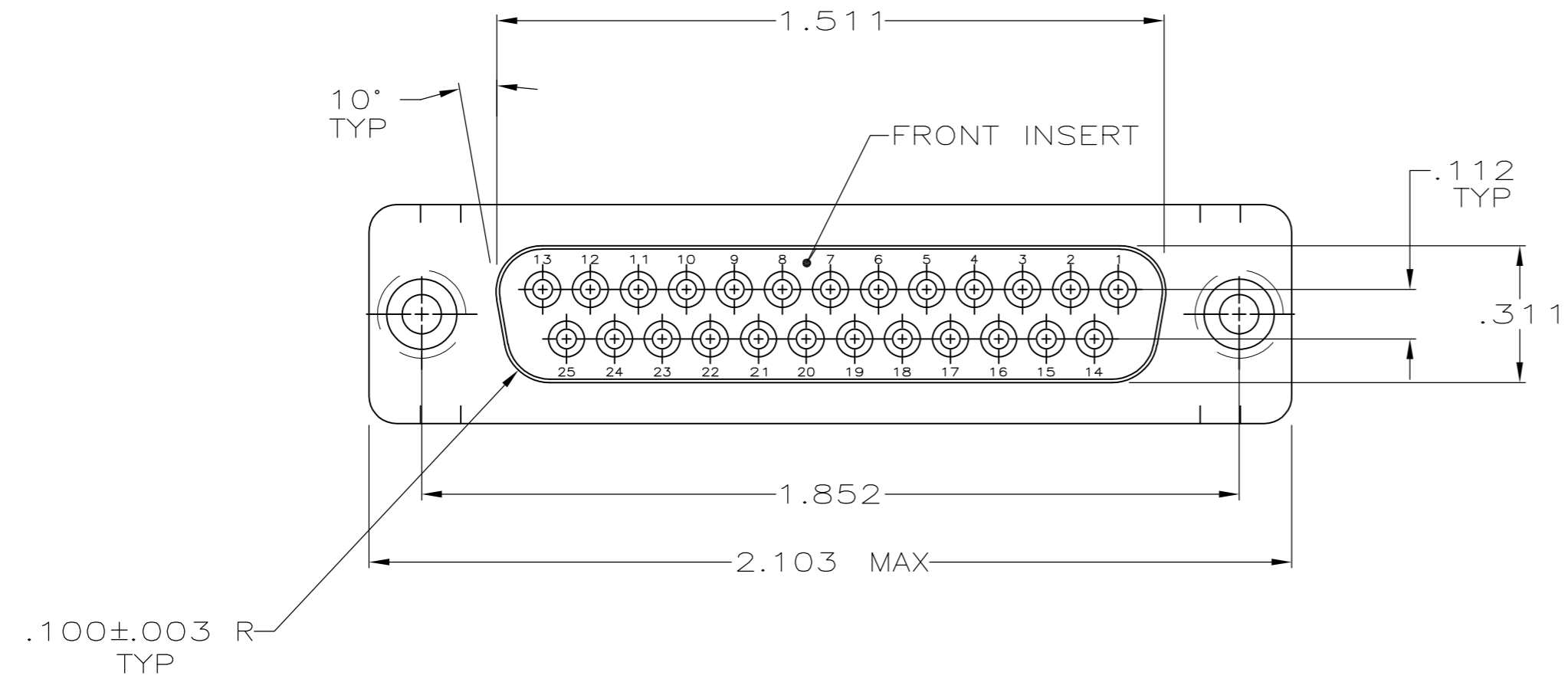
Email & Skype: info@chipsmall.com Web: www.chipsmall.com

Address: A1208, Overseas Decoration Building, #122 Zhenhua RD., Futian, Shenzhen, China

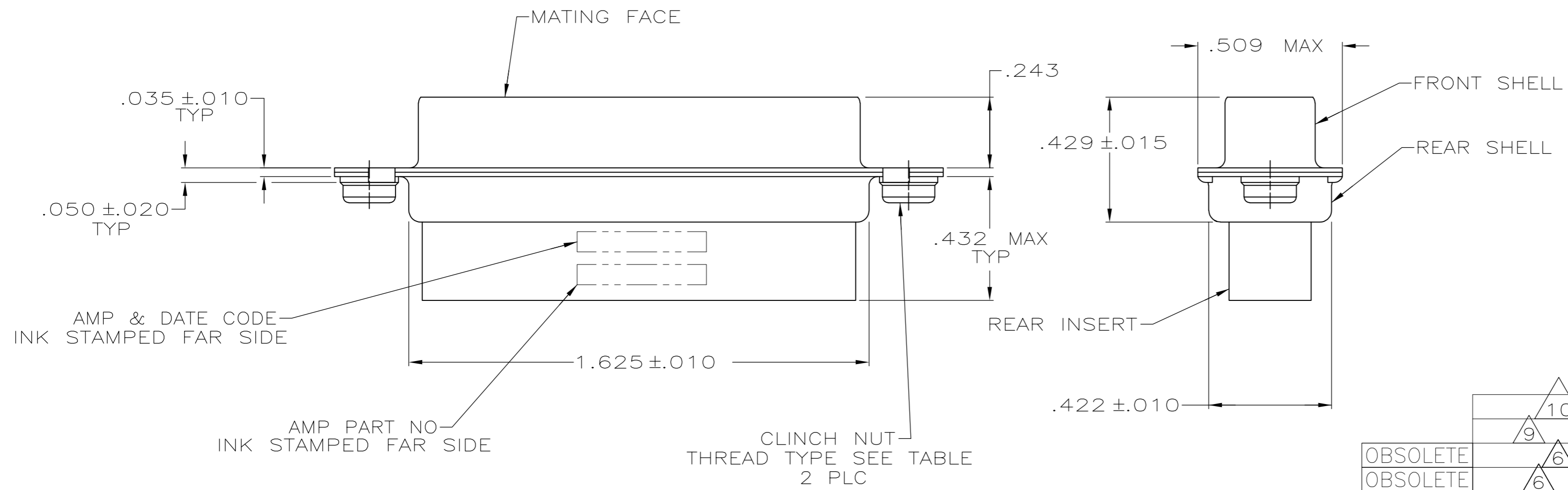


THIS DRAWING IS UNPUBLISHED. RELEASED FOR PUBLICATION
 © COPYRIGHT - By - ALL RIGHTS RESERVED.

LOC	DIST	REVISIONS			
P	LTR	DESCRIPTION	DATE	DWN	APVD
GP	00	F4 REVISED PER ECO-11-004835	11MAR11	RK	HMR



1. WIRE INSULATION SIZE RECOMMENDED FOR USE WITH THIS RECEPTACLE IS .068 DIA MAX.
 2. TO INSERT AND REMOVE CONTACTS USE TOOL 91067-2.
 3. CONTACT RETENTION TINES ARE AN INTEGRAL PART OF INSERT.
- △4 CARBON STEEL.
 - △5 ZINC PLATED YELLOW CHROMATE.
 - △6 .000200 MIN TIN OR TIN-LEAD PLATE OVER .000100 COPPER UNDERPLATE.
 - △7 GLASS FILLED BLACK NYLON.
 - △8 ZINC PLATED CLEAR CHROMATE.
 - △9 .000200 MIN TIN PLATE OVER .000100 MIN COPPER UNDERPLATE.
 - △10 ZINC PLATED .000200-.000400 THICK, YELLOW TRIVALENT CHROMIUM CHROMATE COATING.



FINISH	CLINCH NUT FINISH	THREAD	PART NUMBER
△10	△8	4-40	207516-6
△9	△8	4-40	207516-5
△6	△5	M-3	207516-4
△6	△8	4-40	207516-3
-	-	-	207516-2
△5	△8	4-40	207516-1

THIS DRAWING IS A CONTROLLED DOCUMENT.

DWN H MOLL 11 APR 91	TE Connectivity
CHK R.STONE 17 APR 91	
APVD -	NAME
PRODUCT SPEC 108-10020	RECEPTACLE CONNECTOR, SIZE 3, 25 POSN, WITH CLINCH NUTS,
APPLICATION SPEC	SIZE A2 CAGE CODE 00779 DRAWING NO C-207516
WEIGHT -	RESTRICTED TO -
FINISH	SCALE 3:1 SHEET 1 of 1 REV F4
CLINCH NUTS & SHELLS:	CUSTOMER DRAWING

207516