



Chipsmall Limited consists of a professional team with an average of over 10 year of expertise in the distribution of electronic components. Based in Hongkong, we have already established firm and mutual-benefit business relationships with customers from,Europe,America and south Asia,supplying obsolete and hard-to-find components to meet their specific needs.

With the principle of “Quality Parts,Customers Priority,Honest Operation,and Considerate Service”,our business mainly focus on the distribution of electronic components. Line cards we deal with include Microchip,ALPS,ROHM,Xilinx,Pulse,ON,Everlight and Freescale. Main products comprise IC,Modules,Potentiometer,IC Socket,Relay,Connector.Our parts cover such applications as commercial,industrial, and automotives areas.

We are looking forward to setting up business relationship with you and hope to provide you with the best service and solution. Let us make a better world for our industry!



## Contact us

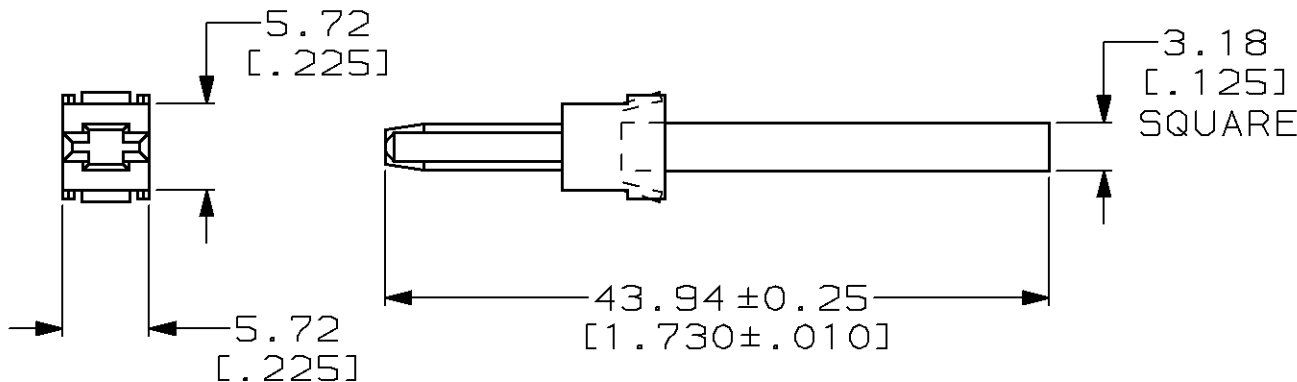
Tel: +86-755-8981 8866 Fax: +86-755-8427 6832

Email & Skype: info@chipsmall.com Web: www.chipsmall.com

Address: A1208, Overseas Decoration Building, #122 Zhenhua RD., Futian, Shenzhen, China



MOD 4	LOC BD	DIST 35	REVISIONS					
P	F	LTR	DESCRIPTION	DATE	APPROVED			
		B	REDRAWN W/O CHANGE PER EC 0020-600-94	06/16/94	AF			



THIS DRAWING IS UNPUBLISHED. RELEASED FOR PUBLICATION

BY AMP INCORPORATED. ALL INTERNATIONAL RIGHTS RESERVED. © COPYRIGHT 19

207597-1

PART NO

DO NOT SCALE PRINT. UNLESS SPECIFIED DIMENSIONS IN mm [IN] TOLERANCES ON:  
 2 PLC DEC ± 0.13 [.005]  
 3 PLC DEC ± -  
 ANGLES ± -

MATERIAL FLAME RETARDANT THERMOPLASTIC COLOR: BLACK

FINISH -

DR 06/16/94 K.FOLTZ  
 CHK 06/23/94 R.STONE

APPD 08/09/94 A.FRANTUM

APPD 08/09/94 A.FRANTUM

PRODUCT SPEC -

APPLICATION SPEC -

WEIGHT -

**AMP**

AMP Incorporated  
 Harrisburg, PA 17105-3608

NAME

KEYING PLUG, TYPE XII,  
 CPC ( FOR PIN HALF )

SIZE

CAGE CODE

DRAWING NO

A

00779

C-207597

SCALE

2:1

SHEET

1 OF 1