



Chipsmall Limited consists of a professional team with an average of over 10 year of expertise in the distribution of electronic components. Based in Hongkong, we have already established firm and mutual-benefit business relationships with customers from,Europe,America and south Asia,supplying obsolete and hard-to-find components to meet their specific needs.

With the principle of “Quality Parts,Customers Priority,Honest Operation,and Considerate Service”,our business mainly focus on the distribution of electronic components. Line cards we deal with include Microchip,ALPS,ROHM,Xilinx,Pulse,ON,Everlight and Freescale. Main products comprise IC,Modules,Potentiometer,IC Socket,Relay,Connector.Our parts cover such applications as commercial,industrial, and automotives areas.

We are looking forward to setting up business relationship with you and hope to provide you with the best service and solution. Let us make a better world for our industry!



Contact us

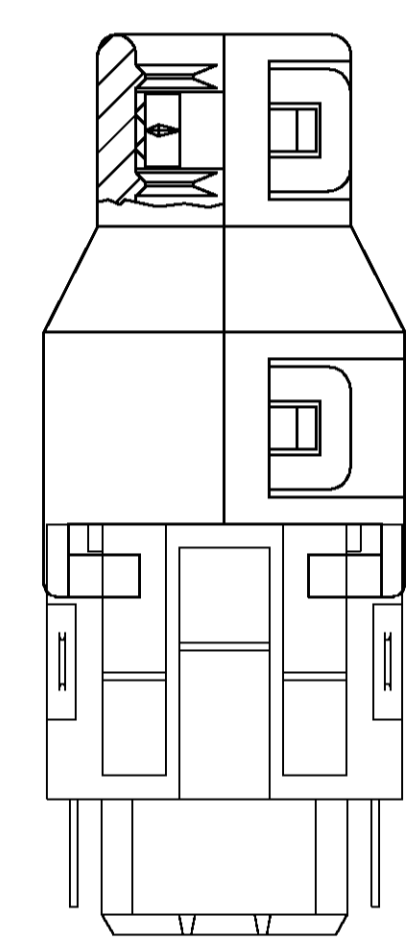
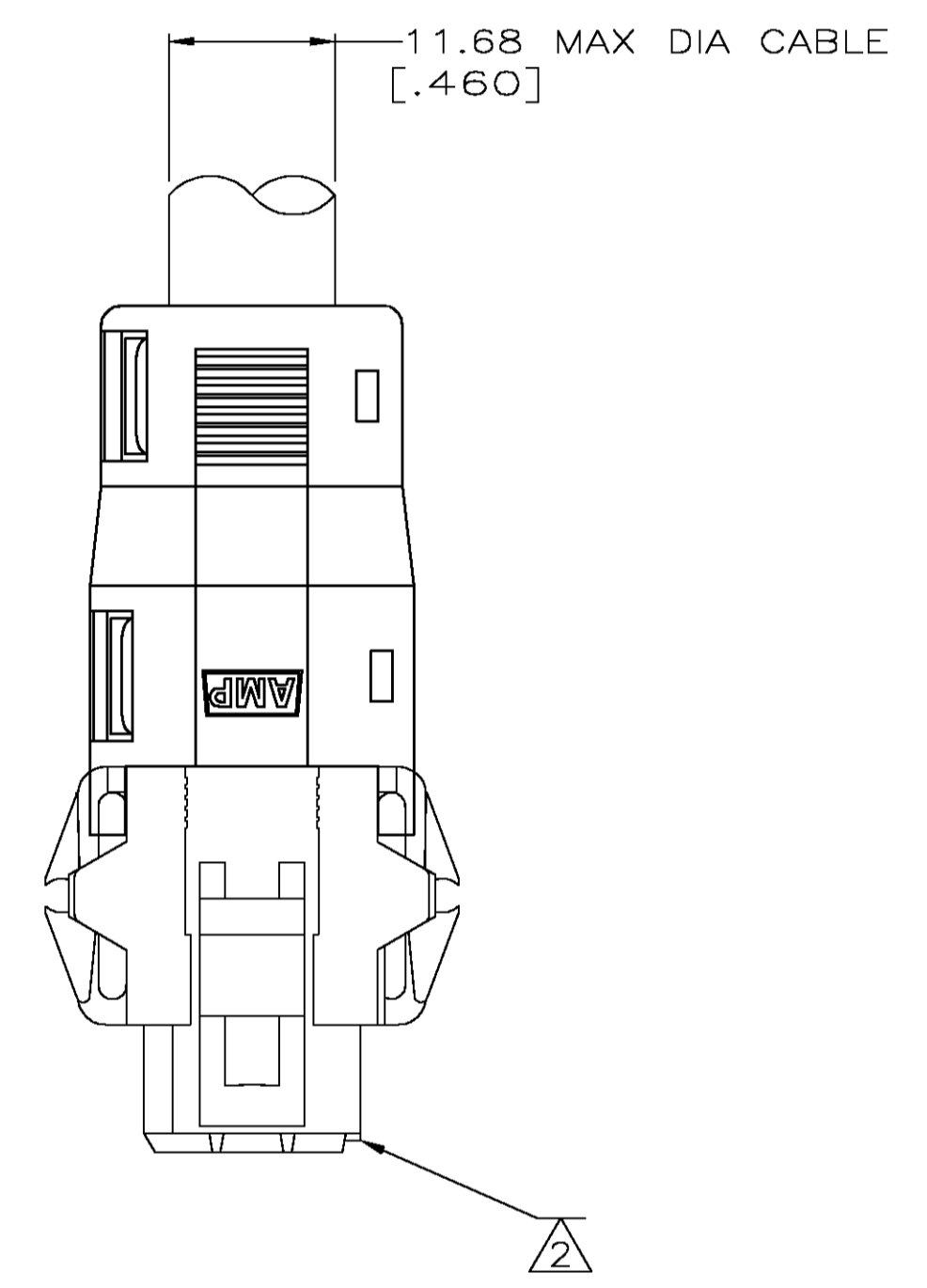
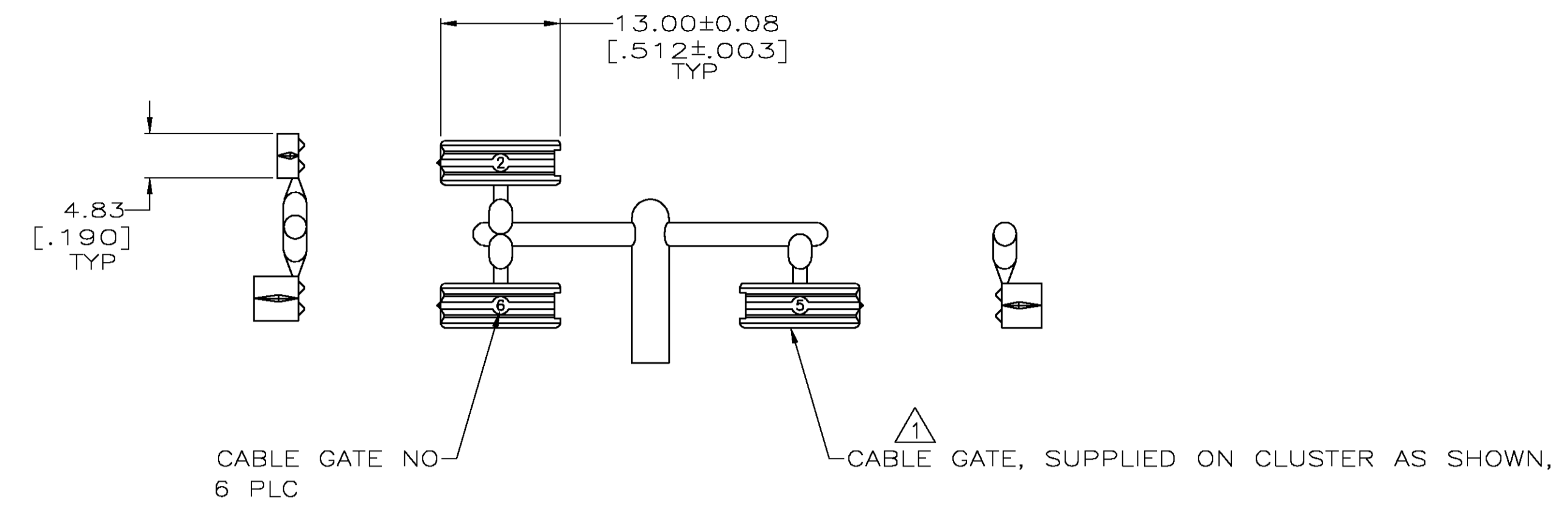
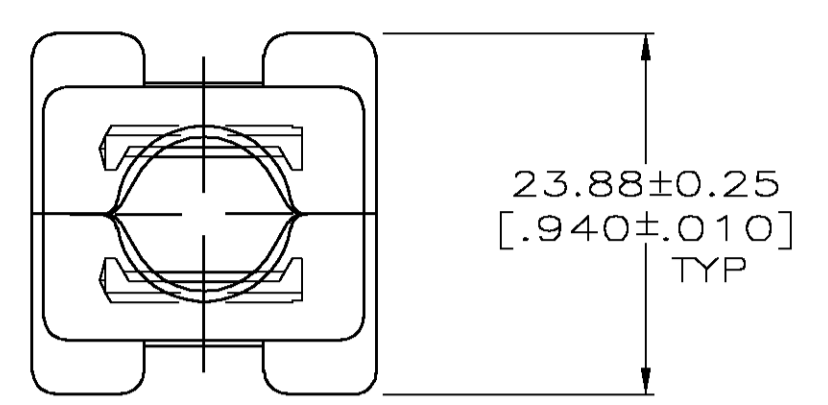
Tel: +86-755-8981 8866 Fax: +86-755-8427 6832

Email & Skype: info@chipsmall.com Web: www.chipsmall.com

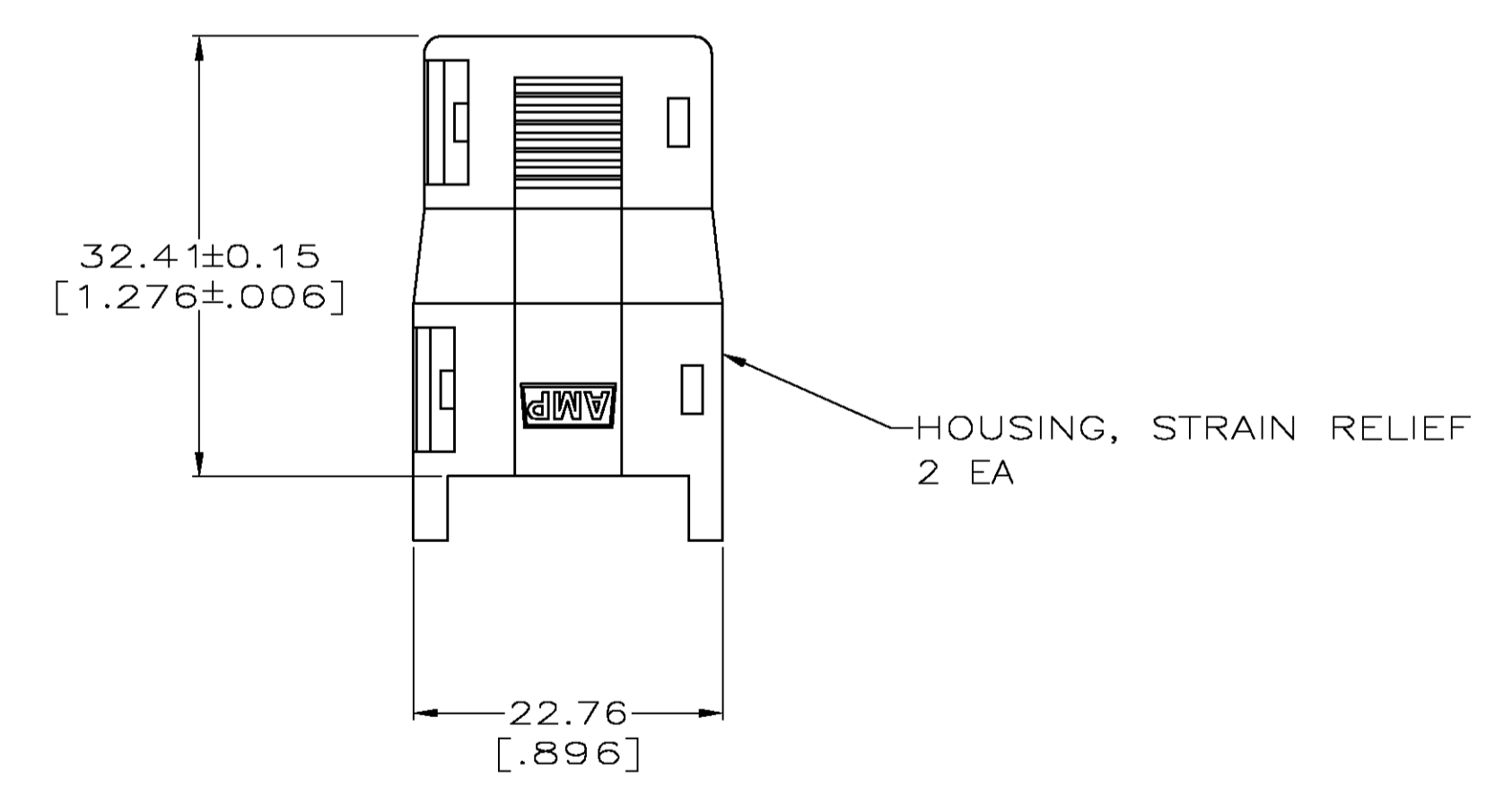
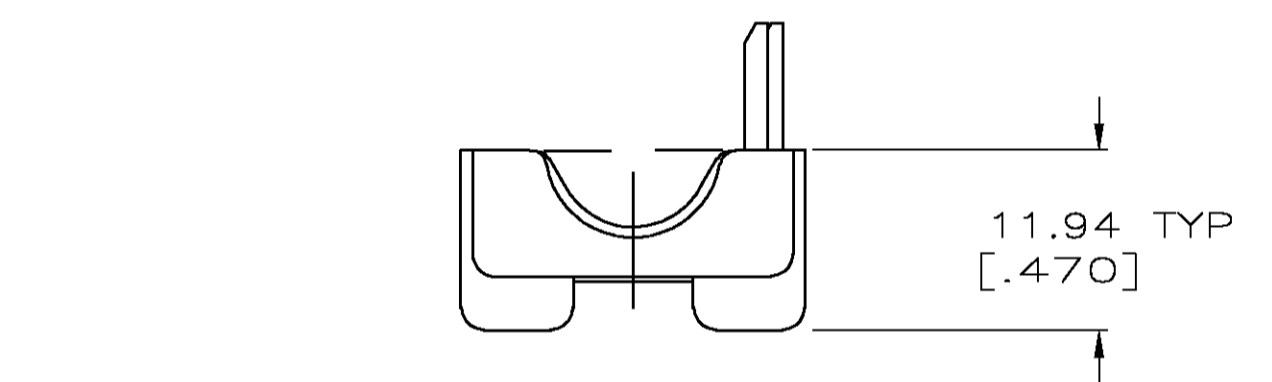
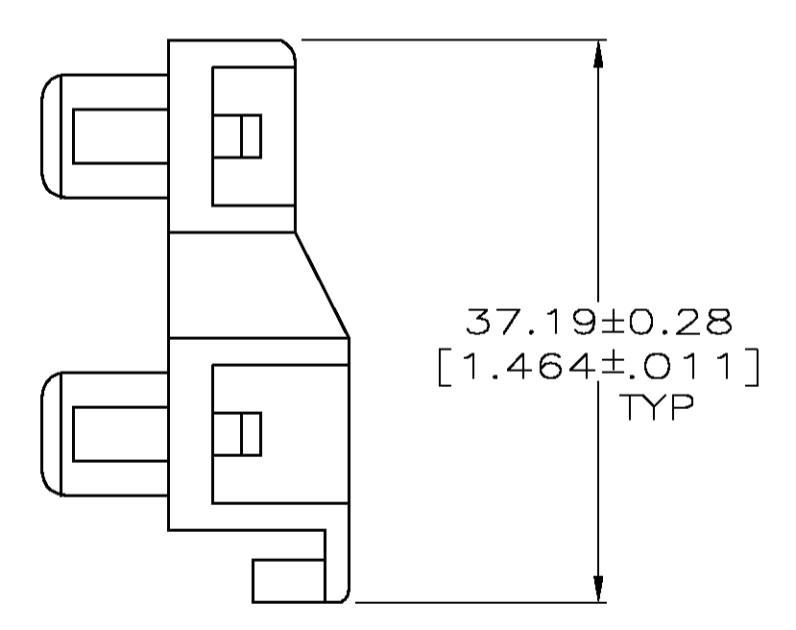
Address: A1208, Overseas Decoration Building, #122 Zhenhua RD., Futian, Shenzhen, China



LOC		DIST		REVISIONS			
P	LTR	DESCRIPTION	DATE	DNW	APVD		
D		REVISED PER 063B-1122-04	12/1/04	SS	GS		



ASSEMBLED VIEW



- ⚠ A VARIETY OF CABLE GATES ARE PROVIDED TO ACCOMMODATE A VARIETY OF CUSTOMER CABLE SIZES.
- ⚠ PLUG SHOWN FOR REFERENCE ONLY, STRAIN RELIEF CAN BE USED ON EITHER PLUG OR RECEPTACLE.

207601-1
PART NUMBER

THIS DRAWING IS A CONTROLLED DOCUMENT.		DNW J. McCLINTON 1-27-92		Tyco Electronics Corporation Harrisburg, Pa 17105-3608	
DIMENSIONS: INCHES		CHK R. STONE 1-29-92		NAME	STRAIN RELIEF KIT, UNASSEMBLED, 9 POSITION, METRIMATE
TOLERANCES UNLESS OTHERWISE SPECIFIED:		APVD	PRODUCT SPEC	RESTRICTED TO	
0 PLC ± -	1 PLC ± -	APVD	108-10033	SIZE	CAGE CODE
2 PLC ± -	3 PLC ± 0.13[.005]	APVD		A1	00779
4 PLC ± -	ANGLES ± -	APVD		SCALE	2:1
FINISH		APVD		SHEET	1 OF 1
MATERIAL NYLON, NATURAL RED		APVD		REV	D
CUSTOMER DRAWING		DRAWING NO. 207601			