



Chipsmall Limited consists of a professional team with an average of over 10 year of expertise in the distribution of electronic components. Based in Hongkong, we have already established firm and mutual-benefit business relationships with customers from,Europe,America and south Asia,supplying obsolete and hard-to-find components to meet their specific needs.

With the principle of “Quality Parts,Customers Priority,Honest Operation,and Considerate Service”,our business mainly focus on the distribution of electronic components. Line cards we deal with include Microchip,ALPS,ROHM,Xilinx,Pulse,ON,Everlight and Freescale. Main products comprise IC,Modules,Potentiometer,IC Socket,Relay,Connector.Our parts cover such applications as commercial,industrial, and automotives areas.

We are looking forward to setting up business relationship with you and hope to provide you with the best service and solution. Let us make a better world for our industry!



Contact us

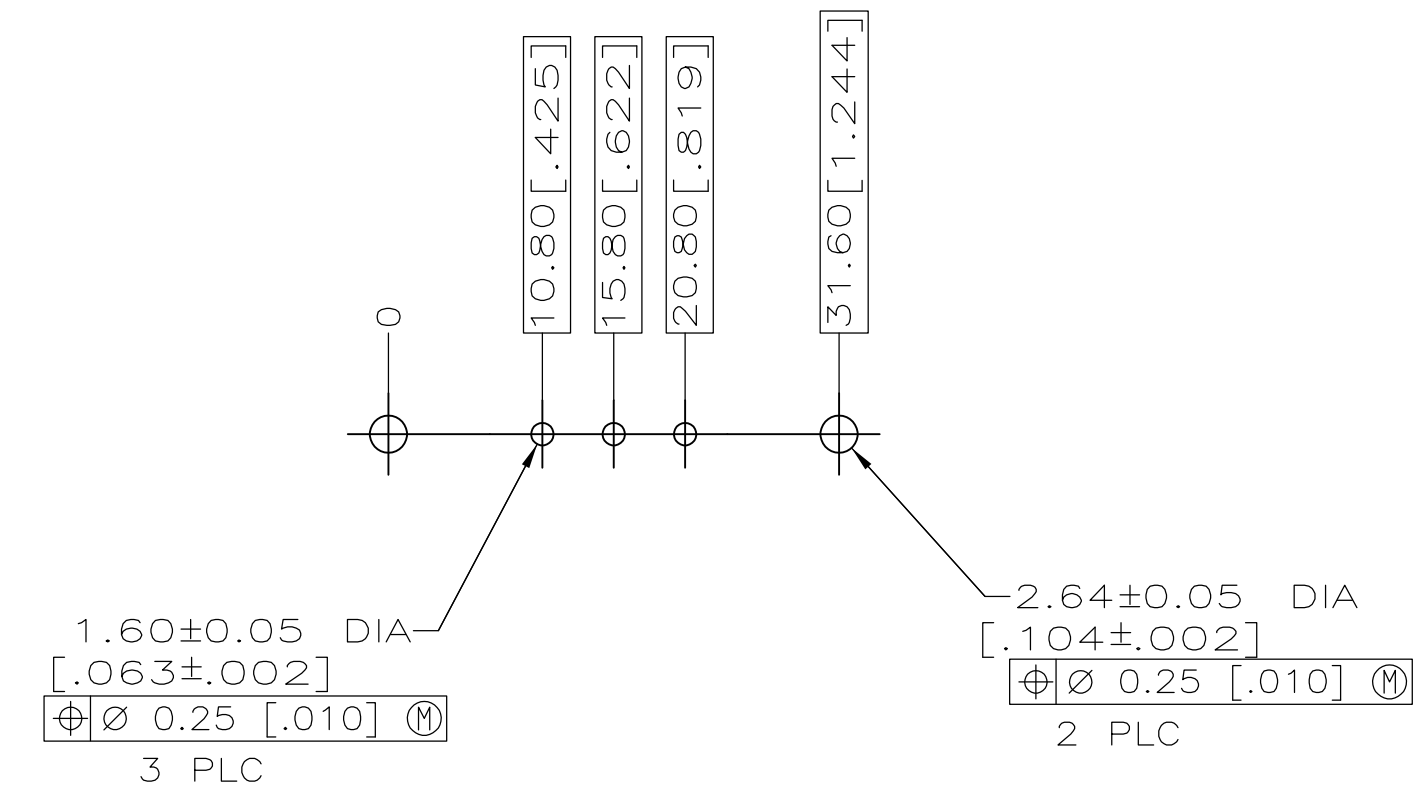
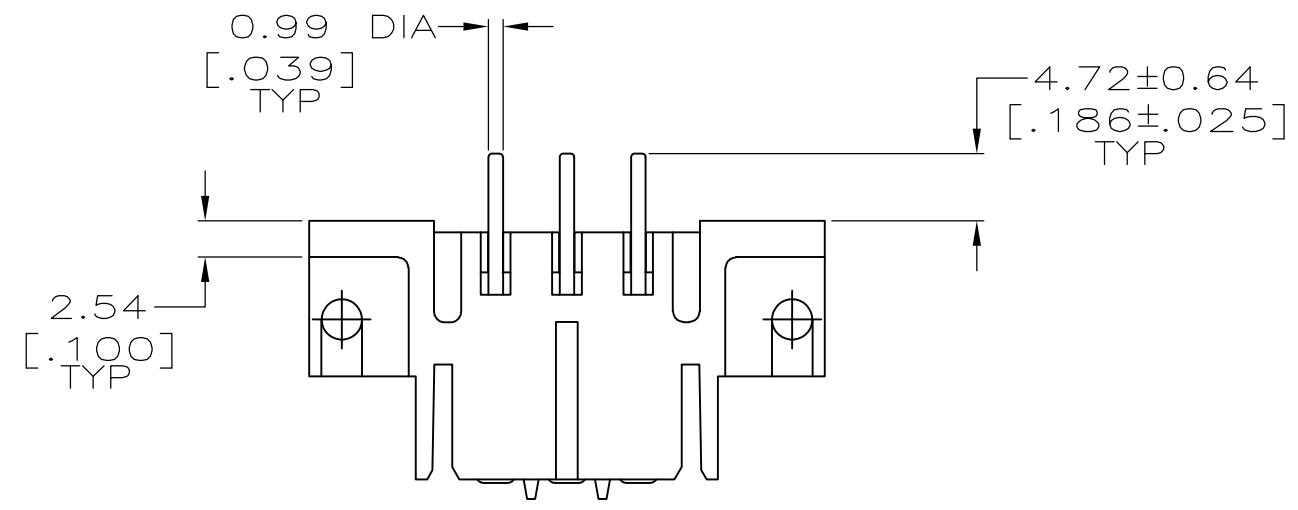
Tel: +86-755-8981 8866 Fax: +86-755-8427 6832

Email & Skype: info@chipsmall.com Web: www.chipsmall.com

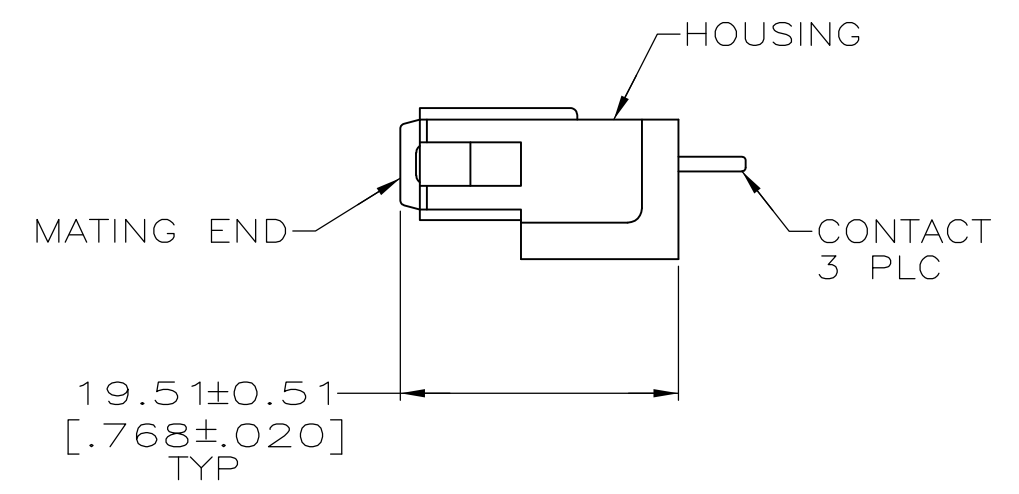
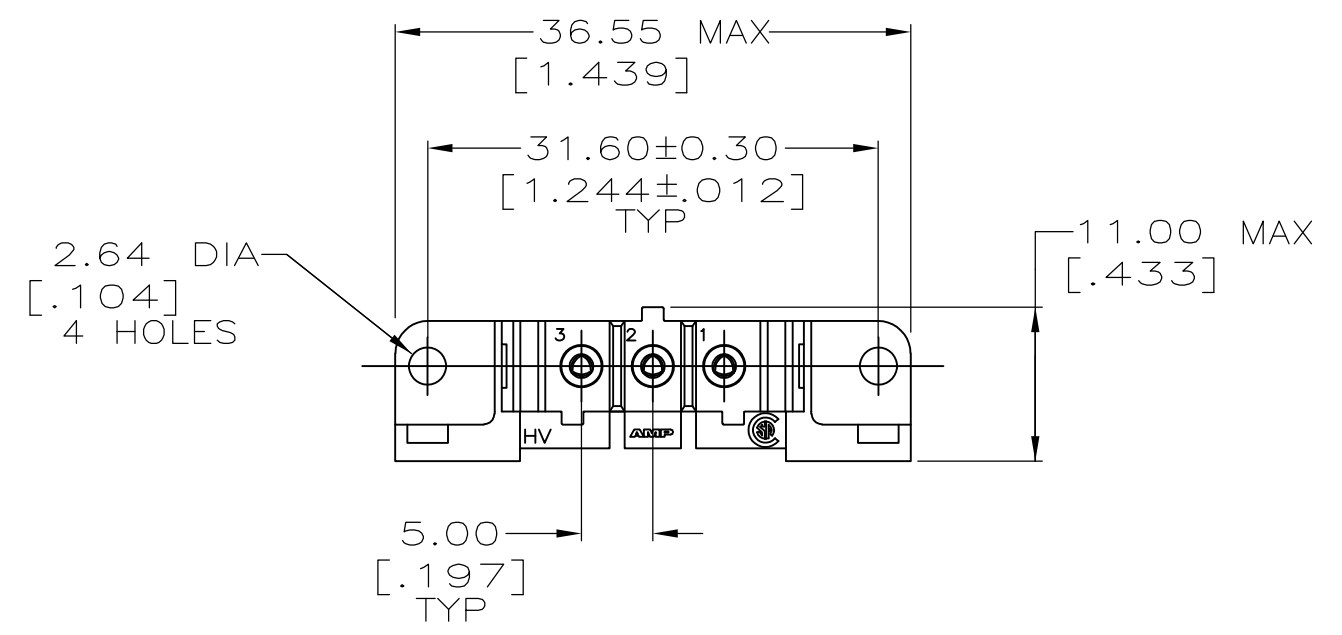
Address: A1208, Overseas Decoration Building, #122 Zhenhua RD., Futian, Shenzhen, China



LOC	DIST	REVISIONS			
P	LTR	DESCRIPTION	DATE	OWN	APVD
FT	0	J2	REVISED PER ECO-11-010839	25MAY11	RK HMR



RECOMMENDED PC BOARD LAYOUT



- ① NYLON, RED.
- ② PHOSPHOR BRONZE.
- ③ 3.81um [.000150] MIN TIN-LEAD OVER 1.27um [.000050] MIN NICKEL.
- ④ 0.76um [.000030] MIN GOLD FOR A LENGTH OF 5.08 [.200] MIN FROM MATING END, 3.81um [.000150] MIN TIN-LEAD FOR A LENGTH OF 5.36 [.211] MIN FROM OPPOSITE END, BOTH OVER 1.27um [.000050] MIN NICKEL.
- ⑤ 3.81um [.000150] MIN TIN OVER 1.27um [.000050] MIN NICKEL.
- ⑥ 0.76um [.000030] MIN GOLD FOR A LENGTH OF 5.08 [.200] MIN FROM MATING END, 3.81um [.000150] MIN TIN FOR A LENGTH OF 5.36 [.211] MIN FROM OPPOSITE END, BOTH OVER 1.27um [.000050] MIN NICKEL.

⑥	207609-7
⑤	207609-6
④	207609-3
③	207609-1
CONTACT FINISH	PART NO

THIS DRAWING IS A CONTROLLED DOCUMENT.		DWN	L.SIPE	08/07/92	 TE Connectivity
DIMENSIONS: mm [INCHES]		CHK	R.STONE	8-25-92	
TOLERANCES UNLESS OTHERWISE SPECIFIED:		APVD	A. TRAVIS	8-25-92	NAME
0 PLC ± -		PRODUCT SPEC		SOCKET HEADER ASSEMBLY, 3 POSN, IN-LINE, METRIMATE	
1 PLC ± -		APPLICATION SPEC		SIZE	CAGE CODE
2 PLC ± 0.25 [.010]		FINISH		DRAWING NO	RESTRICTED TO
3 PLC ± -		CONTACTS: SEE TBL		A2	00779
4 PLC ± -	MATERIAL		WEIGHT	00779	207609
ANGLES ± ± -	HOUSING: 1		CUSTOMER DRAWING	SCALE	SHEET
MATERIAL		HOUSING: 1		2:1	1 OF 1
CONTACTS: SEE TBL		CUSTOMER DRAWING		REV	J2