



Chipsmall Limited consists of a professional team with an average of over 10 year of expertise in the distribution of electronic components. Based in Hongkong, we have already established firm and mutual-benefit business relationships with customers from,Europe,America and south Asia,supplying obsolete and hard-to-find components to meet their specific needs.

With the principle of "Quality Parts,Customers Priority,Honest Operation,and Considerate Service",our business mainly focus on the distribution of electronic components. Line cards we deal with include Microchip,ALPS,ROHM,Xilinx,Pulse,ON,Everlight and Freescale. Main products comprise IC,Modules,Potentiometer,IC Socket,Relay,Connector.Our parts cover such applications as commercial,industrial, and automotives areas.

We are looking forward to setting up business relationship with you and hope to provide you with the best service and solution. Let us make a better world for our industry!



## Contact us

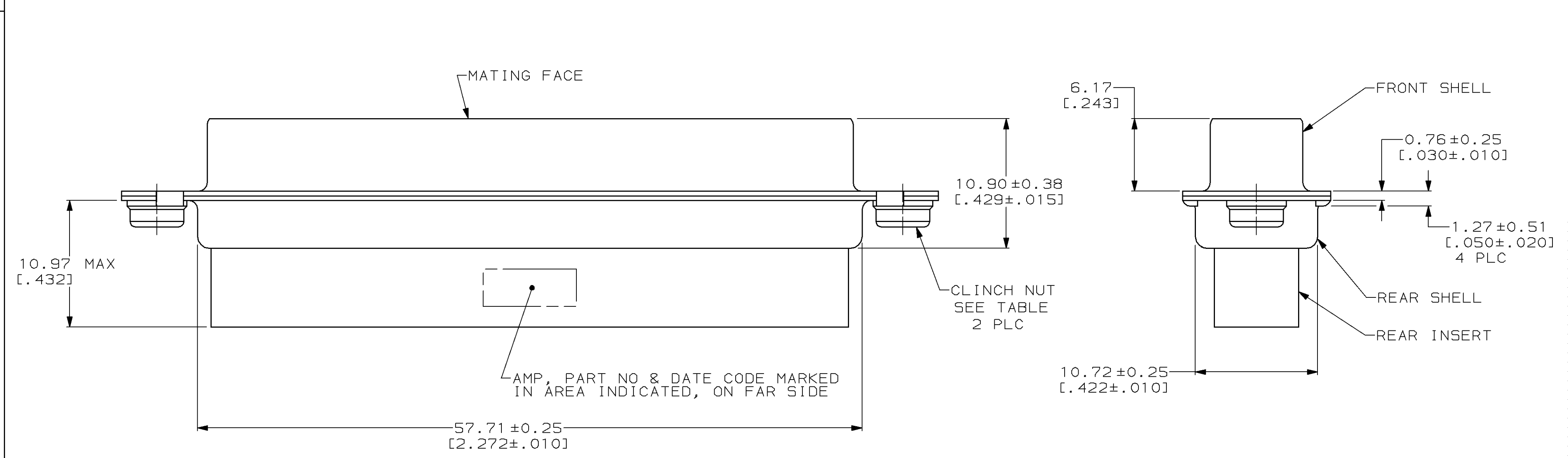
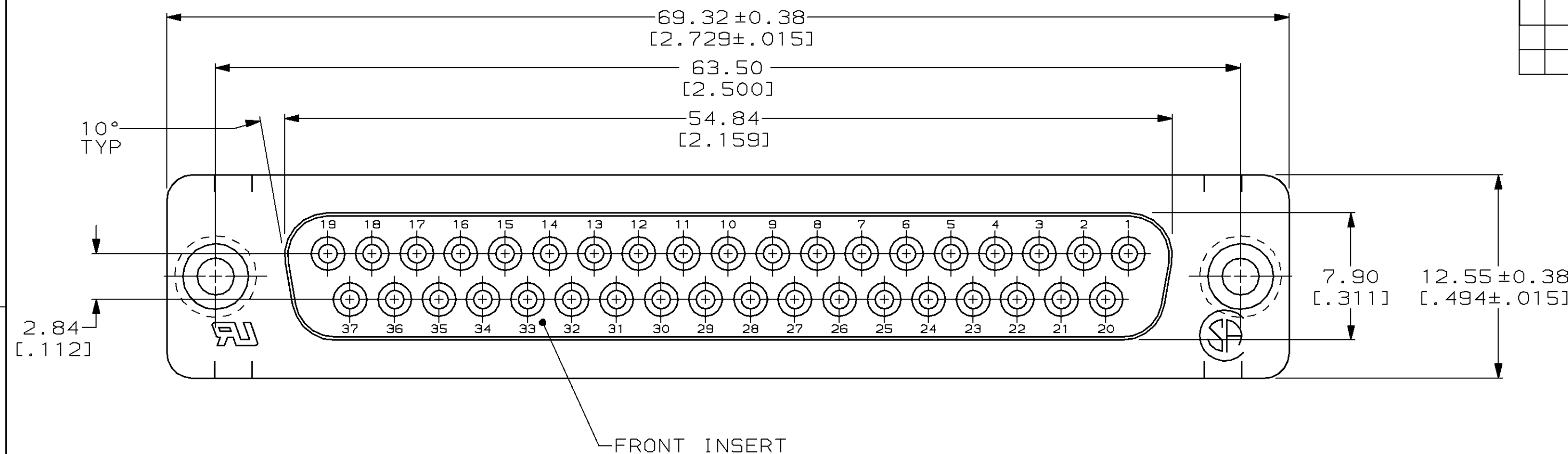
Tel: +86-755-8981 8866 Fax: +86-755-8427 6832

Email & Skype: info@chipsmall.com Web: www.chipsmall.com

Address: A1208, Overseas Decoration Building, #122 Zhenhua RD., Futian, Shenzhen, China



LOC		DIST		REVISIONS			
P	F	ZONE	LTR	DESCRIPTION	DATE	APPD	
BD	48		B	REDRAWN, ADDED -4 PER NPR 3518, REVISED PER ECN BD5132	5-14-91	-	
			C	OBS -1 PER ECN BD6177	06/17/92	TS	
			D	OBS -4 PER EC 0020-724-95	08 MAR 96	JCS	



- CONNECTOR ACCEPTS SIZE 20 DF SOCKET CONTACTS, RETENTION TINES ARE AN INTEGRAL PART OF INSERT.
- NYLON OR POLYESTER, UL 94V-0 RATED, BLACK.
- CARBON STEEL PER ASTM A109.
- 5.08 μm [.000200] MIN TIN OVER 2.54 μm [.000100] MIN COPPER.
- .068 MAX DIA WIRE INSULATION SIZE IS RECOMMENDED FOR USE WITH THIS RECEPTACLE.
- CLEAR CHROMATE OVER ZINC.
- YELLOW CHROMATE OVER ZINC.
- 5.08 μm [.000200] MIN ZINC, YELLOW CHROMATE.
- TIN PLATING PER MIL-T-10727; COPPER PLATING PER MIL-C-14550; ZINC PLATING PER ASTM B633, TYPE III, CLASS SCI.

OBSOLETE	4	7	M-3	207661-4
	4	6	4-40	207661-3
OBSOLETE	8	6	4-40	207661-1
	SHELL FINISH	CLINCH NUT FINISH	CLINCH NUT THREAD TYPE	PART NO

DO NOT SCALE PRINT. UNLESS SPECIFIED DIMENSIONS IN mm [INCHES] TOLERANCES ON :  
 2 PLC DEC ± 0.13 [.005]  
 3 PLC DEC ± -  
 ANGLES ± 2°

MATERIAL MOLDED PARTS: 2  
 CLINCH NUTS & SHELLS: 3

FINISH 9  
 SEE TABLE

DR 5-14-91 W.G.LENKER  
 CHK 5-22-91 R.STONE  
 APPD 5-22-91 M.KAPEZYNSKI  
 APPD 5-22-91 J.ASSINI  
 PRODUCT SPEC 108-40025  
 APPLICATION SPEC -  
 WEIGHT -

AMP INCORPORATED Harrisburg, Pa. 17105

NAME RECEPTACLE CONNECTOR, SIZE 4, 37 POSN, WITH CLINCH NUTS, AMPLIMITE®HDP

SIZE C CAGE CODE 00779 DRAWING NO 207661  
 SCALE 4:1 SHEET 1 OF 1