



Chipsmall Limited consists of a professional team with an average of over 10 year of expertise in the distribution of electronic components. Based in Hongkong, we have already established firm and mutual-benefit business relationships with customers from,Europe,America and south Asia,supplying obsolete and hard-to-find components to meet their specific needs.

With the principle of "Quality Parts,Customers Priority,Honest Operation,and Considerate Service",our business mainly focus on the distribution of electronic components. Line cards we deal with include Microchip,ALPS,ROHM,Xilinx,Pulse,ON,Everlight and Freescale. Main products comprise IC,Modules,Potentiometer,IC Socket,Relay,Connector.Our parts cover such applications as commercial,industrial, and automotives areas.

We are looking forward to setting up business relationship with you and hope to provide you with the best service and solution. Let us make a better world for our industry!



Contact us

Tel: +86-755-8981 8866 Fax: +86-755-8427 6832

Email & Skype: info@chipsmall.com Web: www.chipsmall.com

Address: A1208, Overseas Decoration Building, #122 Zhenhua RD., Futian, Shenzhen, China

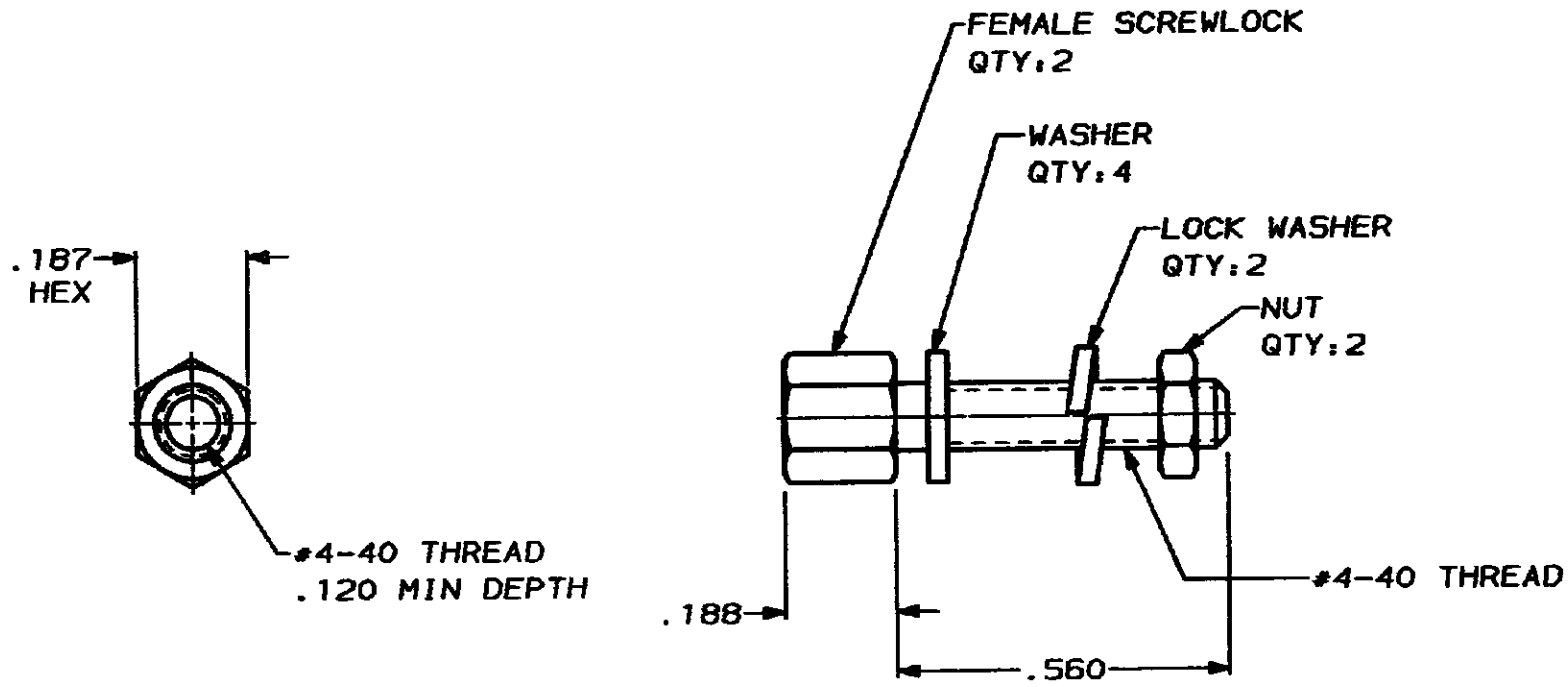


DRAWING MADE IN THIRD ANGLE PROJECTION

THIS DRAWING IS UNPUBLISHED. RELEASED FOR PUBLICATION .19
 © COPYRIGHT 19 BY AMP INCORPORATED. ALL INTERNATIONAL RIGHTS RESERVED.

MOD 8 LOC BD DIST 39

REVISIONS				DATE	APPD
ZONE	LTR	DESCRIPTION			
	B	REDRAWN ON CAD	4-12-88	-	



- 1 ZINC PLATED PER ASTM B633, TYPE II, CLASS SCI, YELLOW CHROMATE.
- 2 ZINC PLATED PER ASTM B633, TYPE III, CLASS SCI, CLEAR CHROMATE.
- 3. PARTS PACKAGED UNASSEMBLED.
- 4 PARTS PACKAGED AS A UNIT KIT.
- 5 PARTS INDIVIDUALLY BULK PACKED & SHIPPED AS A UNIT PACKAGE.

PACKAGING	FINISH	PART NUMBER
5	2	207719-4
4	2	207719-3
5	1	207719-2
4	1	207719-1

DO NOT SCALE PRINT.
 DIMENSIONS UNLESS SPECIFIED
 DIMENSIONS IN INCHES
 TOLERANCES ON:
 2 PLG DEC ± .005
 3 PLG DEC ± .003
 ANGLES ± .5

OR 4-12-88
 J. GALLAGHER
 CHK - 6-15-88
 APPD - [Signature]
 DATE 7-16-90
 MTL - [Signature]
 PRODUCT SPEC

MATERIAL
 COLD ROLLED
 STEEL PER ASTM
 A108

FINISH
 SEE TABLE

AMP AMP INCORPORATED
 Harrisburg, Pa. 17105

SCREWLOCK FEMALE
 ASSEMBLY, AMPLIMITE™ HD-20

SIZE B	FSCH NO 00779	DRAWING NO 207719
SCALE 4:1	SHEET 1 OF 1	

CUSTOMER DRAWING