



Chipsmall Limited consists of a professional team with an average of over 10 year of expertise in the distribution of electronic components. Based in Hongkong, we have already established firm and mutual-benefit business relationships with customers from,Europe,America and south Asia,supplying obsolete and hard-to-find components to meet their specific needs.

With the principle of “Quality Parts,Customers Priority,Honest Operation,and Considerate Service”,our business mainly focus on the distribution of electronic components. Line cards we deal with include Microchip,ALPS,ROHM,Xilinx,Pulse,ON,Everlight and Freescale. Main products comprise IC,Modules,Potentiometer,IC Socket,Relay,Connector.Our parts cover such applications as commercial,industrial, and automotives areas.

We are looking forward to setting up business relationship with you and hope to provide you with the best service and solution. Let us make a better world for our industry!



Contact us

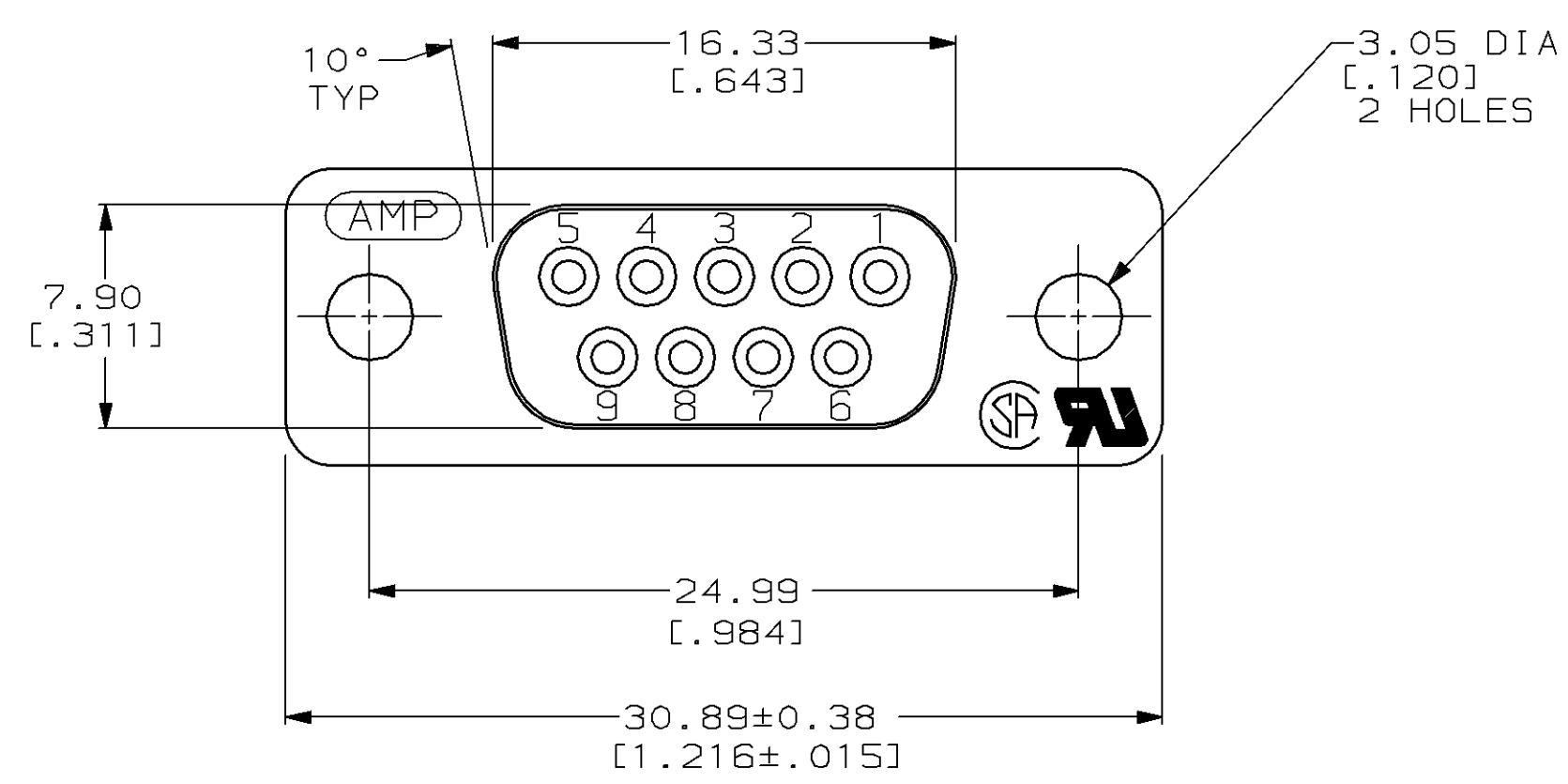
Tel: +86-755-8981 8866 Fax: +86-755-8427 6832

Email & Skype: info@chipsmall.com Web: www.chipsmall.com

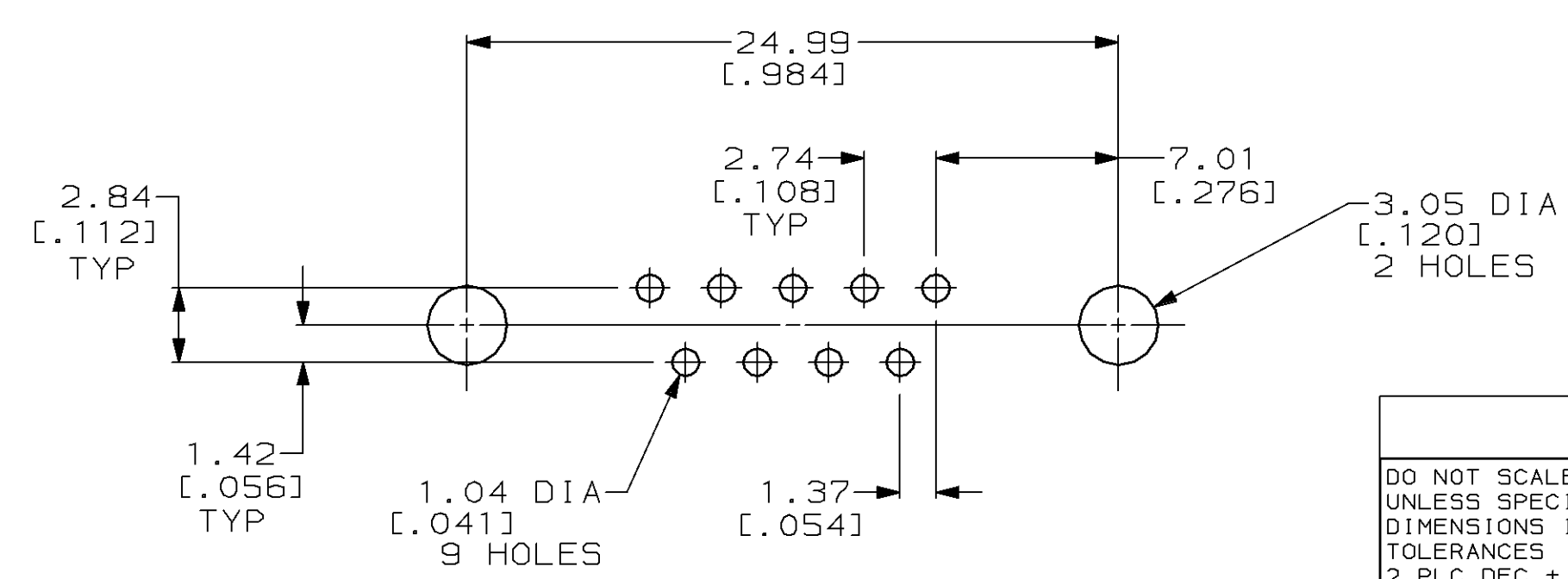
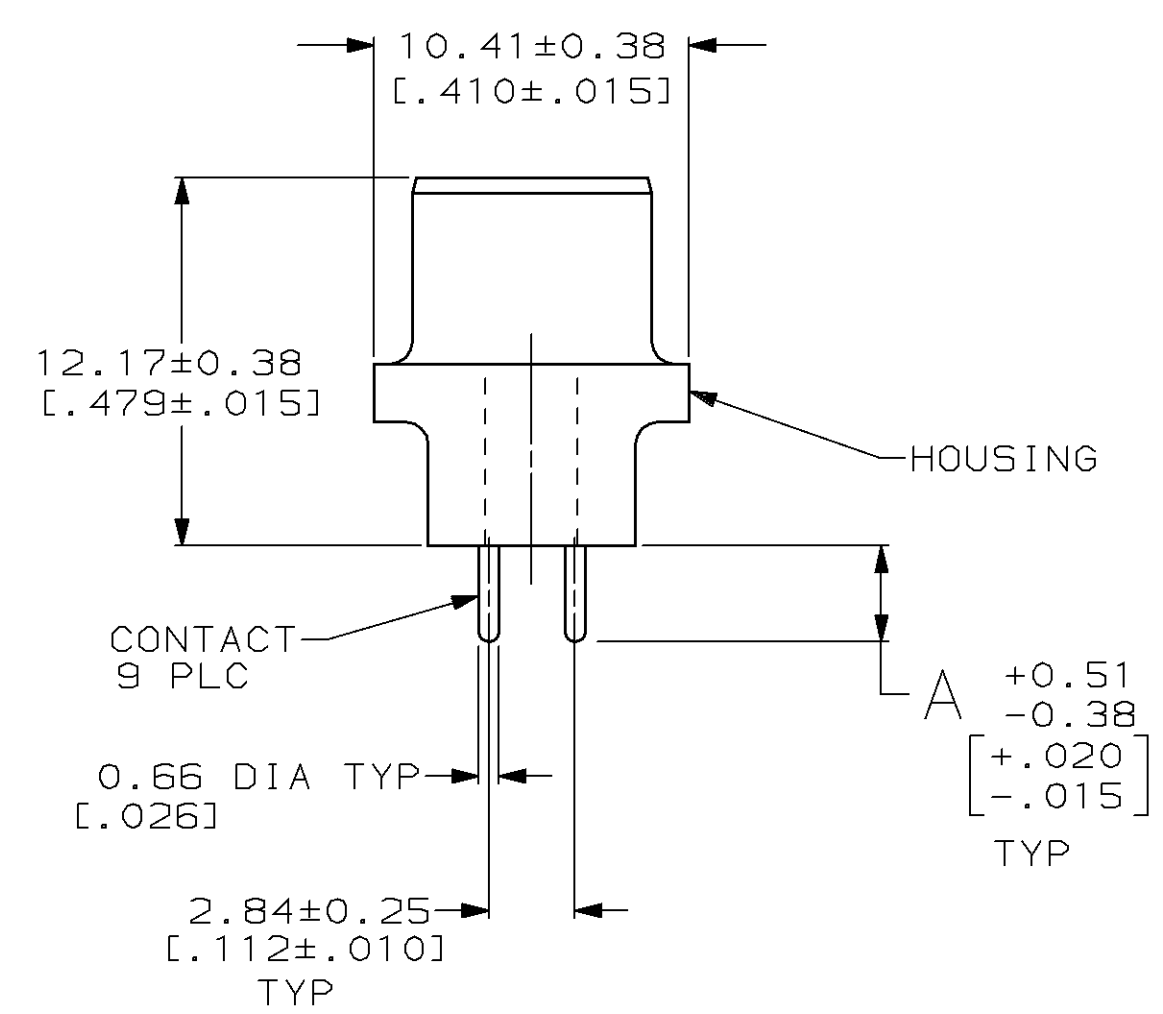
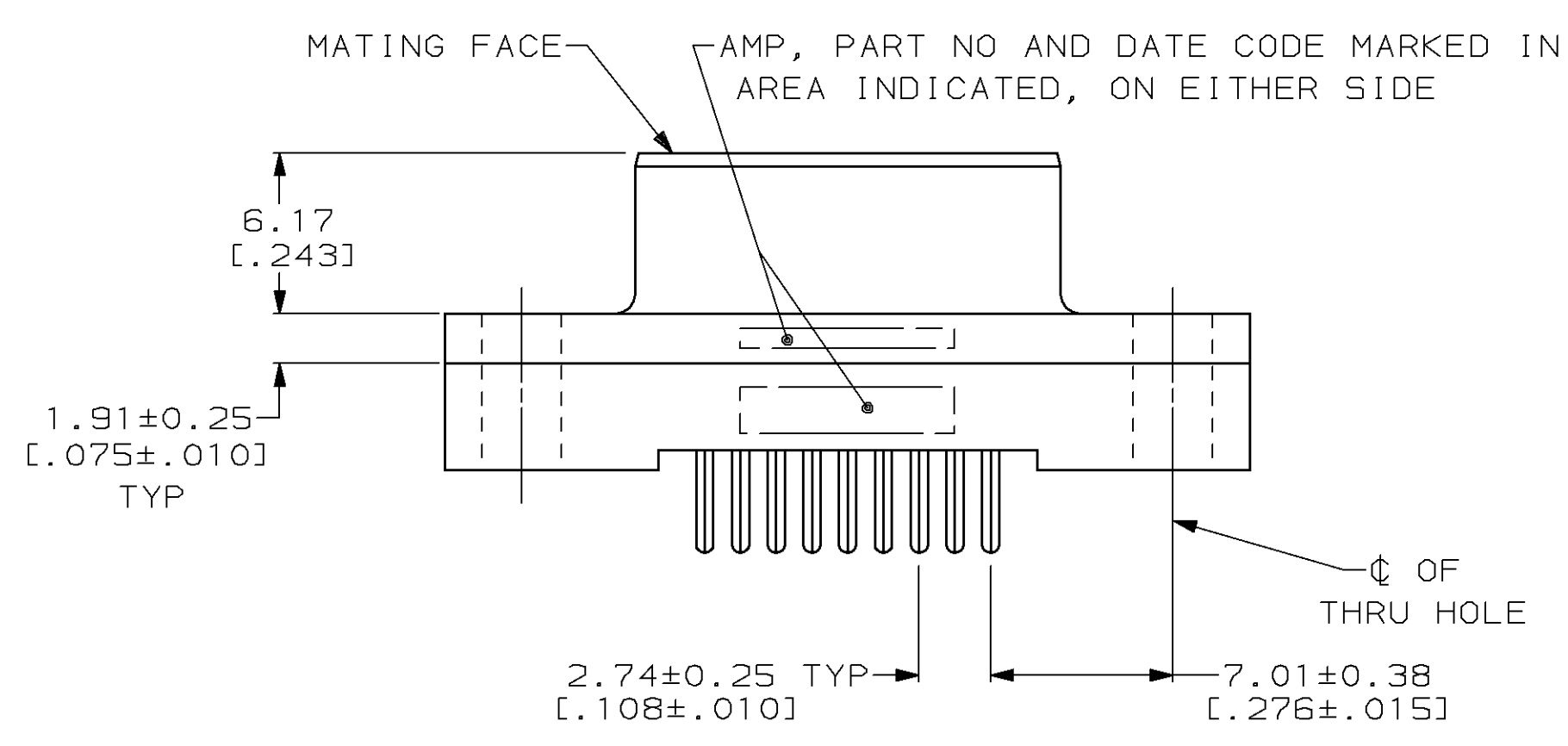
Address: A1208, Overseas Decoration Building, #122 Zhenhua RD., Futian, Shenzhen, China



LOC	DIST	P	F	REVISIONS			
				ZONE	LTR	DATE	APPD
BD	77			D	REDRAWN & REVISED, ECN BD3361	11-89	SS
				E	OBS 207826-7, -8 BD6038	06/10/92	CR
				F	OBS -5, -6 PER EC 0020-964-93	04/05/94	CR



- ① HOUSING: BLACK POLYESTER, UL 94V-0 RATED; CONTACTS: PHOSPHOR BRONZE PER QQ-B-750.
- ② GOLD PLATING PER MIL-G-45204, TIN PLATING PER MIL-T-10727, NICKEL PLATING PER QQ-N-290.
- ③ GOLD FLASH FOR A LENGTH OF 2.54[.100] MIN FROM MATING END, 2.54μm[.000100] MIN TIN OR TIN-LEAD FOR A LENGTH OF DIMENSION A FROM OPPOSITE END, ALL OVER 1.27μm[.000050] MIN NICKEL.
- ④ 0.76μm[.000030] MIN GOLD FOR A LENGTH OF 2.54[.100] MIN FROM MATING END, 2.54μm[.000100] MIN TIN OR TIN-LEAD FOR A LENGTH OF DIMENSION A FROM OPPOSITE END, ALL OVER 1.27μm[.000050] MIN NICKEL.



CONTACT FINISH	SIZE	CAGE CODE	DRAWING NO
④	6.35 [.250]		207826-8
③	6.35 [.250]		207826-7
④	4.32 [.170]		207826-6
③	4.32 [.170]		207826-5
④	3.18 [.125]		207826-4
③	3.18 [.125]		207826-3

DO NOT SCALE PRINT. UNLESS SPECIFIED DIMENSIONS IN mm [INCHES] TOLERANCES ON: 2 PLC DEC ± 0.13 [.005] 3 PLC DEC ± - ANGLES ± 2°		DR 11-16-89 J McCLINTON	
MATERIAL		CHK 2-1-90 R.STONE	
FINISH ②		APPD 2-2-90 S.SCHIEFFERLY	
CONTACT: SEE TABLE		APPD 2-2-90 C.ROHDE	
		PRODUCT SPEC 108-40025	
		APPLICATION SPEC -	
		WEIGHT -	
		NAME RECEPTACLE ASSEMBLY, SIZE 1, 9 POSN, VERTICAL, AMPLIMITE® HD-20	
		SIZE C	
		CAGE CODE 00779	
		DRAWING NO 207826	
		SCALE 4:1	
		SHEET 1 OF 1	