



Chipsmall Limited consists of a professional team with an average of over 10 year of expertise in the distribution of electronic components. Based in Hongkong, we have already established firm and mutual-benefit business relationships with customers from,Europe,America and south Asia,supplying obsolete and hard-to-find components to meet their specific needs.

With the principle of “Quality Parts,Customers Priority,Honest Operation,and Considerate Service”,our business mainly focus on the distribution of electronic components. Line cards we deal with include Microchip,ALPS,ROHM,Xilinx,Pulse,ON,Everlight and Freescale. Main products comprise IC,Modules,Potentiometer,IC Socket,Relay,Connector.Our parts cover such applications as commercial,industrial, and automotives areas.

We are looking forward to setting up business relationship with you and hope to provide you with the best service and solution. Let us make a better world for our industry!



Contact us

Tel: +86-755-8981 8866 Fax: +86-755-8427 6832

Email & Skype: info@chipsmall.com Web: www.chipsmall.com

Address: A1208, Overseas Decoration Building, #122 Zhenhua RD., Futian, Shenzhen, China

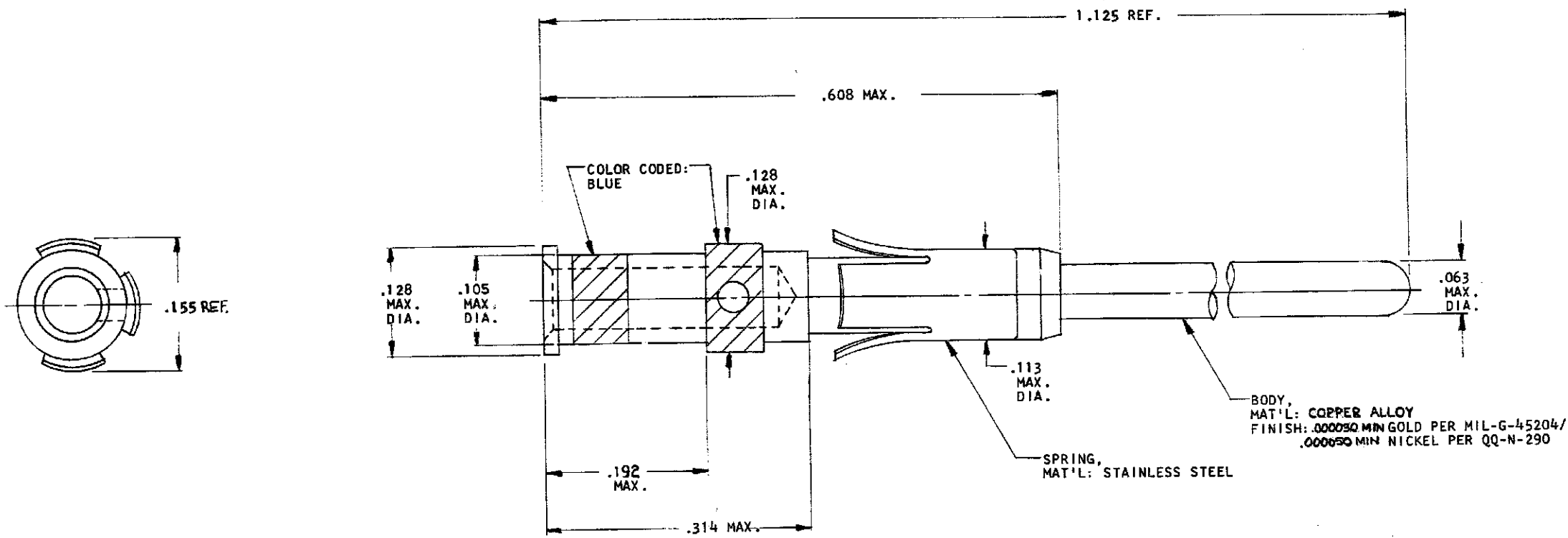


DRAWING MADE IN THIRD ANGLE PROJECTION

© COPYRIGHT 1978 BY AMP INCORPORATED, HARRISBURG, PA.
 ALL INTERNATIONAL RIGHTS RESERVED. AMP INCORPORATED PRODUCTS
 COVERED BY U. S. AND FOREIGN PATENTS AND/OR PATENTS PENDING.

207893-1 1. AS SHOWN.

REVISIONS				M	LOC	DIST
P	F	ZONE/LTR	DESCRIPTION	DATE	APPROVED	
0	✓	0	RELEASED	9/8/78	THW	
✓	✓	A	REVISED ECN 54142	9-22-81	THW	
✓	✓	B	REVISED ECN BD2619	3-19-89	THW	



UNLESS OTHERWISE SPECIFIED DIMENSIONS ARE IN INCHES. TOLERANCES ON: DECIMALS ± .01 ANGLES ± .5°		CONTRACT NO		PART NO	
MATERIAL SEE CALLOUTS		DR <i>David L. Szymon</i> 9/8/78		AMP INCORPORATED Harrisburg, Pa.	
FINISH SEE CALLOUTS		CHK <i>W. J. [unclear]</i> 9/11		NAME ASSEMBLY, CONTACT, PIN #16, TYPE II, GROUNDING PIN FOR CPC (18-16) WIRE SIZE	
		APP <i>Don Cooby</i> 9/13/78		SIZE CODE IDENT NO DRAWING NO	
		APPD <i>[unclear]</i> 9/15/78		C 00779 207893	
		DSG. APPD		SCALE	
		OTHER APPD		SHEET 1 OF 1	