



Chipsmall Limited consists of a professional team with an average of over 10 year of expertise in the distribution of electronic components. Based in Hongkong, we have already established firm and mutual-benefit business relationships with customers from,Europe,America and south Asia,supplying obsolete and hard-to-find components to meet their specific needs.

With the principle of “Quality Parts,Customers Priority,Honest Operation,and Considerate Service”,our business mainly focus on the distribution of electronic components. Line cards we deal with include Microchip,ALPS,ROHM,Xilinx,Pulse,ON,Everlight and Freescale. Main products comprise IC,Modules,Potentiometer,IC Socket,Relay,Connector.Our parts cover such applications as commercial,industrial, and automotives areas.

We are looking forward to setting up business relationship with you and hope to provide you with the best service and solution. Let us make a better world for our industry!



Contact us

Tel: +86-755-8981 8866 Fax: +86-755-8427 6832

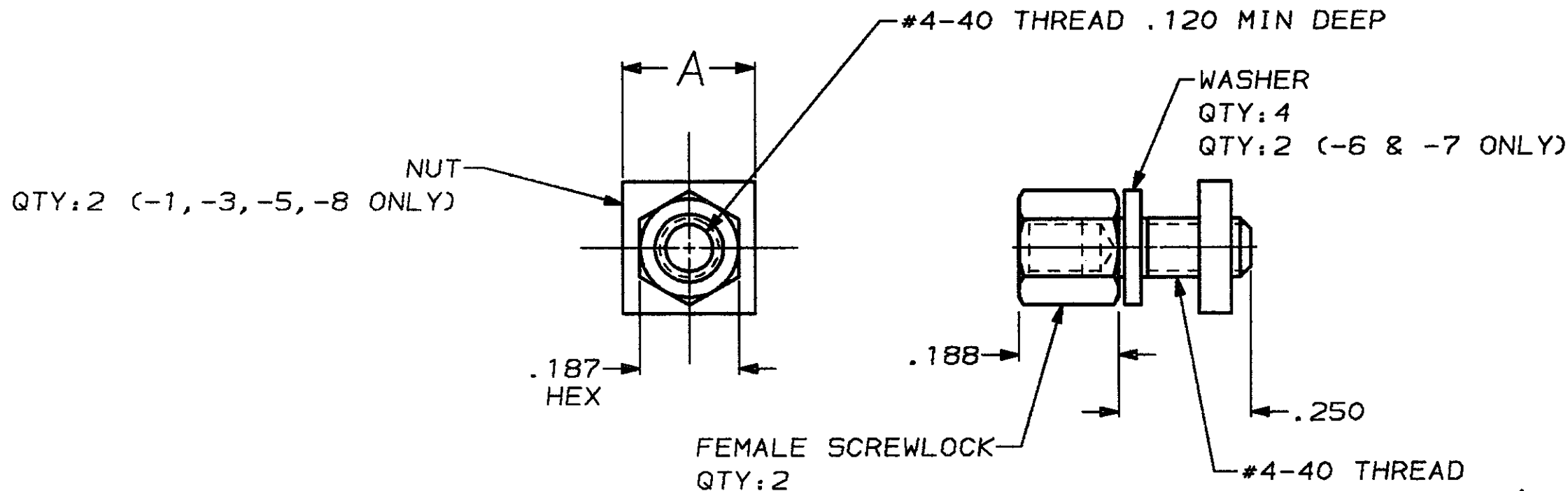
Email & Skype: info@chipsmall.com Web: www.chipsmall.com

Address: A1208, Overseas Decoration Building, #122 Zhenhua RD., Futian, Shenzhen, China



THIS DRAWING IS UNPUBLISHED. RELEASED FOR PUBLICATION .19
 © COPYRIGHT 19 BY AMP INCORPORATED. ALL INTERNATIONAL RIGHTS RESERVED.

MOD	LOC	DIST	P	F	ZONE	LTR	REVISIONS	DATE	APPD
8	BD	39				C	REDRAWN ON CAD	4-12-90	-



OBSOLETE	5	.250	2	207952-8
OBSOLETE	5	-	1	207952-7
OBSOLETE	4	-	1	207952-6
OBSOLETE	5	.250	1	207952-5
OBSOLETE	4	.350	2	207952-4
	4	.250	2	207952-3
OBSOLETE	4	.350	1	207952-2
	4	.250	1	207952-1
		PACKAGING	A	FINISH
				PART NUMBER

- 1 ZINC PLATED PER ASTM B633, TYPE II, CLASS SCI, YELLOW CHROMATE.
- 2 ZINC PLATED PER ASTM B633, TYPE III, CLASS SCI, CLEAR CHROMATE.
- 3. PARTS PACKAGED UNASSEMBLED.
- 4 PARTS PACKAGED AS A UNIT KIT.
- 5 PARTS INDIVIDUALLY BULK PACKED & SHIPPED AS A UNIT PACKAGE.

DO NOT SCALE PRINT. UNLESS SPECIFIED DIMENSIONS IN INCHES TOLERANCES ON: 2 PLC DEC ± - 3 PLC DEC ± .005 ANGLES ± -		DR 4-12-90 J GALLUCCI BG	AMP INCORPORATED Harrisburg, Pa. 17105	
MATERIAL STEEL PER ASTM A108	FINISH SEE TABLE	CHK 10-15-90 W. G. ...	APPD J. E. ... 7-11-90	NAME SCREWLOCK KIT, FEMALE, SHORT, AMPLIMITE™ HDP-20
		PRODUCT SPEC	APPLICATION SPEC	SIZE B
		WEIGHT -		FSC# NO 00779
				DRAWING NO 207952
				SCALE 4:1
				SHEET 1 OF 1