



Chipsmall Limited consists of a professional team with an average of over 10 year of expertise in the distribution of electronic components. Based in Hongkong, we have already established firm and mutual-benefit business relationships with customers from,Europe,America and south Asia,supplying obsolete and hard-to-find components to meet their specific needs.

With the principle of “Quality Parts,Customers Priority,Honest Operation,and Considerate Service”,our business mainly focus on the distribution of electronic components. Line cards we deal with include Microchip,ALPS,ROHM,Xilinx,Pulse,ON,Everlight and Freescale. Main products comprise IC,Modules,Potentiometer,IC Socket,Relay,Connector.Our parts cover such applications as commercial,industrial, and automotives areas.

We are looking forward to setting up business relationship with you and hope to provide you with the best service and solution. Let us make a better world for our industry!



Contact us

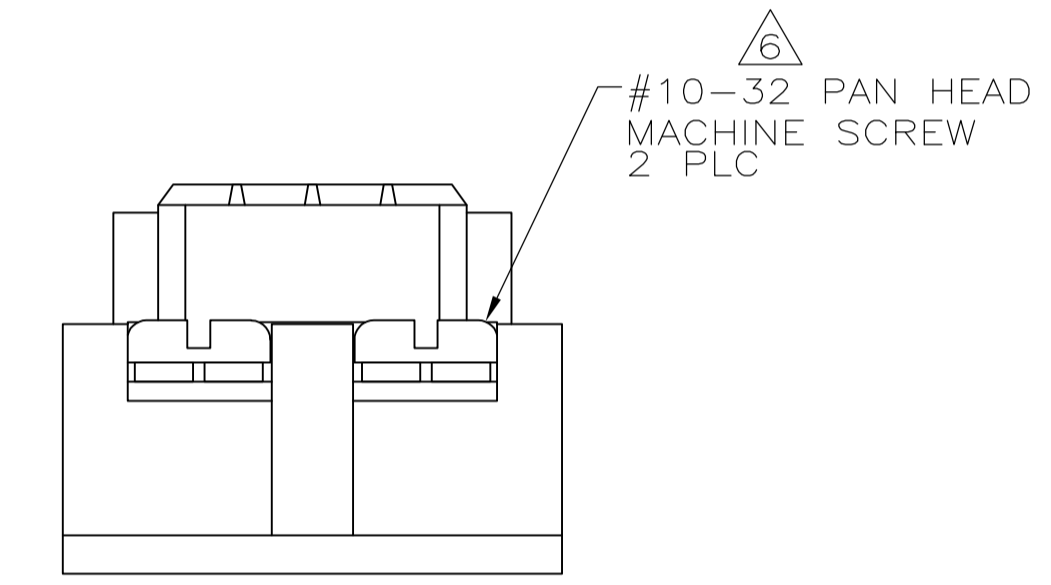
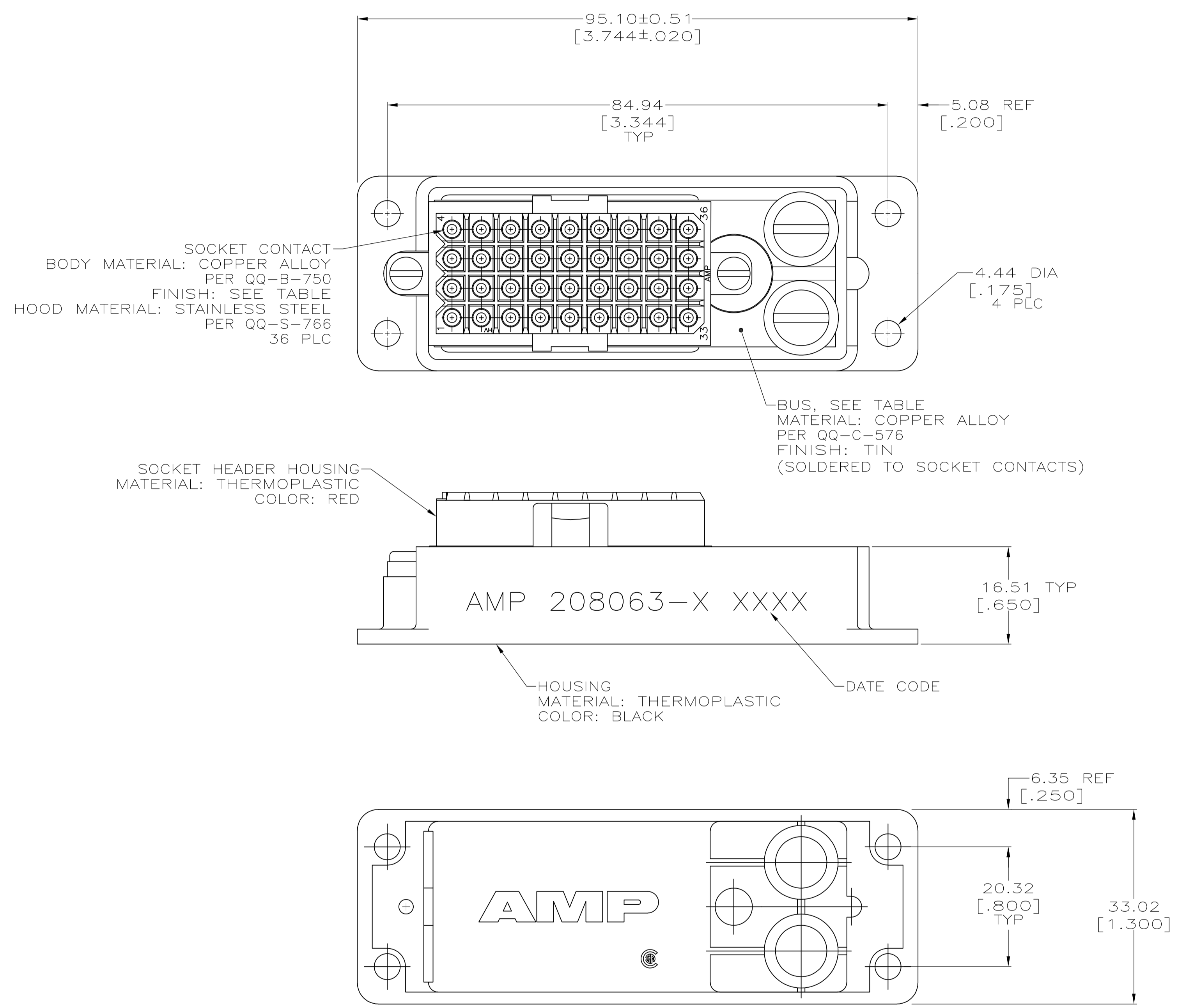
Tel: +86-755-8981 8866 Fax: +86-755-8427 6832

Email & Skype: info@chipsmall.com Web: www.chipsmall.com

Address: A1208, Overseas Decoration Building, #122 Zhenhua RD., Futian, Shenzhen, China



LOC		DIST		REVISIONS			
P	LTR	DESCRIPTION	DATE	DN	APVD		
G		REVISED PER 063B-0188-05	4/22/05	SS	GS		
G1		REVISED PER ECO-09-020935	11SEP09	KK	AE		



- MATES WITH RECEPTACLE 207020-1.
- TIN-LEAD OVER NICKEL PER QQ-N-290.
- GOLD FLASH PER MIL-G-45204 OVER 1.27um [.000050] MIN NICKEL PER QQ-N-290 ON ENTIRE CONTACT, WITH 0.76um [.000030] MIN GOLD PER MIL-G-45204 ON ELECTRICAL ENGAGEMENT AREA ONLY.
- ALL CIRCUITS COMMONED TO BUS.
- CONNECTOR IS DIVDED LENGTHWISE WITH CIRCUITS 1, 2, 5, 6, 9, 10, 13, 14, 17, 18, 21, 22, 25, 26, 29, 30, 33 AND 34 COMMONED, AND CIRCUITS 3, 4, 7, 8, 11, 12, 15, 16, 19, 20, 23, 24, 27, 28, 31, 32, 35 AND 36 COMMONED.
- WILL ACCEPT RING TONGUE TERMINALS, STUD SIZE 10.
- TIN OVER NICKEL PER QQ-N-290.
- OBSOLETE PARTS: OBSOLETE CIS STREAMLINING PER D.RENAUD/D.SINISI

8 OBSOLETE	DUAL, 18 POSITION	5	7	3	208063-7
7 OBSOLETE	DUAL, 18 POSITION	5	7	7	208063-6
	FULL, 36 POSITION	4	7	7	208063-5
	DUAL, 18 POSITION	5	2	3	208063-4
8 OBSOLETE	FULL, 36 POSITION	4	2	3	208063-3
	DUAL, 18 POSITION	5	2	2	208063-2
	FULL, 36 POSITION	4	2	2	208063-1
	BUS TYPE	TAIL FINISH	POST FINISH	PART NO	

THIS DRAWING IS A CONTROLLED DOCUMENT.

DIMENSIONS: INCHES	TOLERANCES UNLESS OTHERWISE SPECIFIED:	DIN D.GELTZ 08/06/92	APVD J.McCLINTON 8-27-92	NAME A. TRAVIS 8-27-92	SIZE A1	CAGE CODE 00779	DRAWING NO. C=208063	RESTRICTED TO
	0 PLC ± -							
	1 PLC ± -							
	2 PLC ± 0.25 [.010]							
	3 PLC ± -							
	4 PLC ± -							
	ANGLES ± -							
MATERIAL SEE CALLOUTS	FINISH SEE CALLOUTS	WEIGHT						

CUSTOMER DRAWING SCALE 2:1 SHEET 1 OF 1 REV G1