



Chipsmall Limited consists of a professional team with an average of over 10 year of expertise in the distribution of electronic components. Based in Hongkong, we have already established firm and mutual-benefit business relationships with customers from,Europe,America and south Asia,supplying obsolete and hard-to-find components to meet their specific needs.

With the principle of “Quality Parts,Customers Priority,Honest Operation,and Considerate Service”,our business mainly focus on the distribution of electronic components. Line cards we deal with include Microchip,ALPS,ROHM,Xilinx,Pulse,ON,Everlight and Freescale. Main products comprise IC,Modules,Potentiometer,IC Socket,Relay,Connector.Our parts cover such applications as commercial,industrial, and automotives areas.

We are looking forward to setting up business relationship with you and hope to provide you with the best service and solution. Let us make a better world for our industry!



## Contact us

Tel: +86-755-8981 8866 Fax: +86-755-8427 6832

Email & Skype: info@chipsmall.com Web: www.chipsmall.com

Address: A1208, Overseas Decoration Building, #122 Zhenhua RD., Futian, Shenzhen, China



**SWINGHANDLE**

**208**

ALL IN METAL



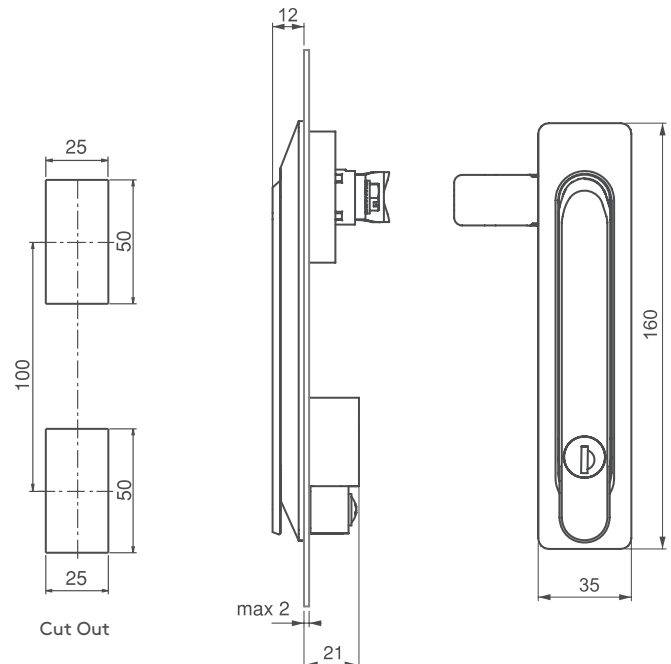
IP 65



LH/RH



RoHS



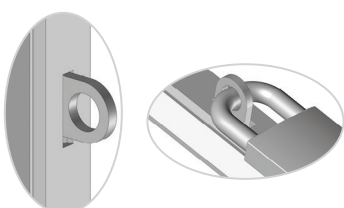
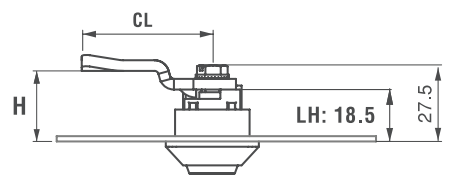
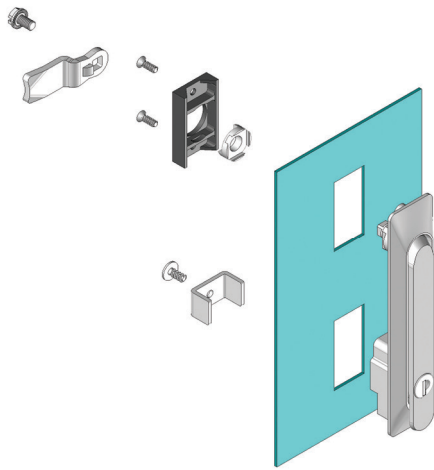
- All metal construction
- Stronger and better looking than polyamide
- Handle is not spring loaded and slam action
- Key can be removed at unlocked position

**APPLICATIONS**

Electric panels, machinery covers, rack cabinets

**MATERIAL**

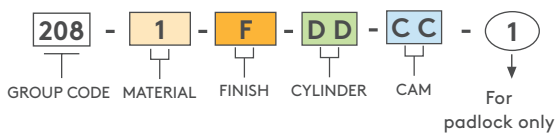
**BODY:** Zamak DIN-EN 1774-ZnAl4Cu1  
**HANDLE:** Zamak DIN-EN 1774-ZnAl4Cu1  
**CAM:** Steel or PA6 GFR 30  
**SEAL:** Polyurethane



1

Padlock application

**PRODUCT CODE**



MATERIAL	M
Zamak	1

FINISH	F
Chrome	1
Black coated	2

CYLINDER	SPECIFICATIONS	DD
	Stainless steel dust cap (Keyed alike)	03
	Stainless steel dust cap (Keyed differ)	32
	Master system	04
	Euro key (5333)	05
	CH751 (Stainless steel dust cap)	07

For cams please check pages: 144 - 145  
 For rods please check pages: 150- 161