



Chipsmall Limited consists of a professional team with an average of over 10 year of expertise in the distribution of electronic components. Based in Hongkong, we have already established firm and mutual-benefit business relationships with customers from,Europe,America and south Asia,supplying obsolete and hard-to-find components to meet their specific needs.

With the principle of “Quality Parts,Customers Priority,Honest Operation,and Considerate Service”,our business mainly focus on the distribution of electronic components. Line cards we deal with include Microchip,ALPS,ROHM,Xilinx,Pulse,ON,Everlight and Freescale. Main products comprise IC,Modules,Potentiometer,IC Socket,Relay,Connector.Our parts cover such applications as commercial,industrial, and automotives areas.

We are looking forward to setting up business relationship with you and hope to provide you with the best service and solution. Let us make a better world for our industry!



Contact us

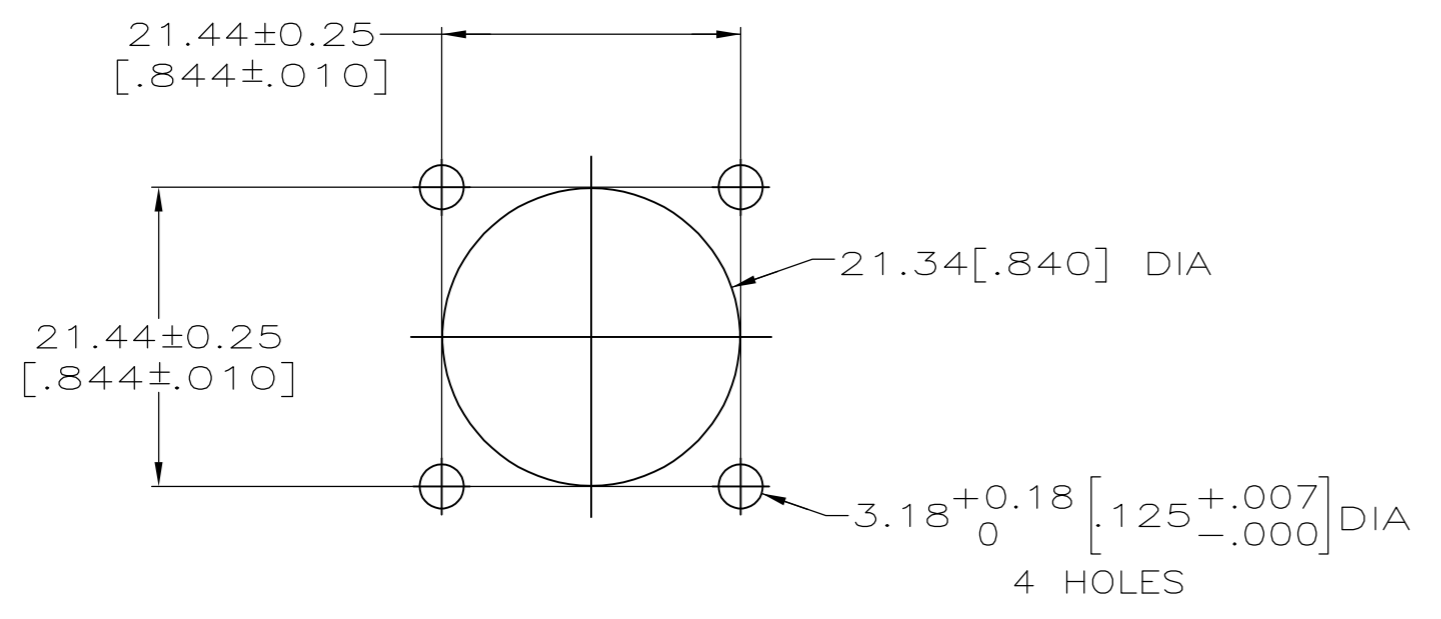
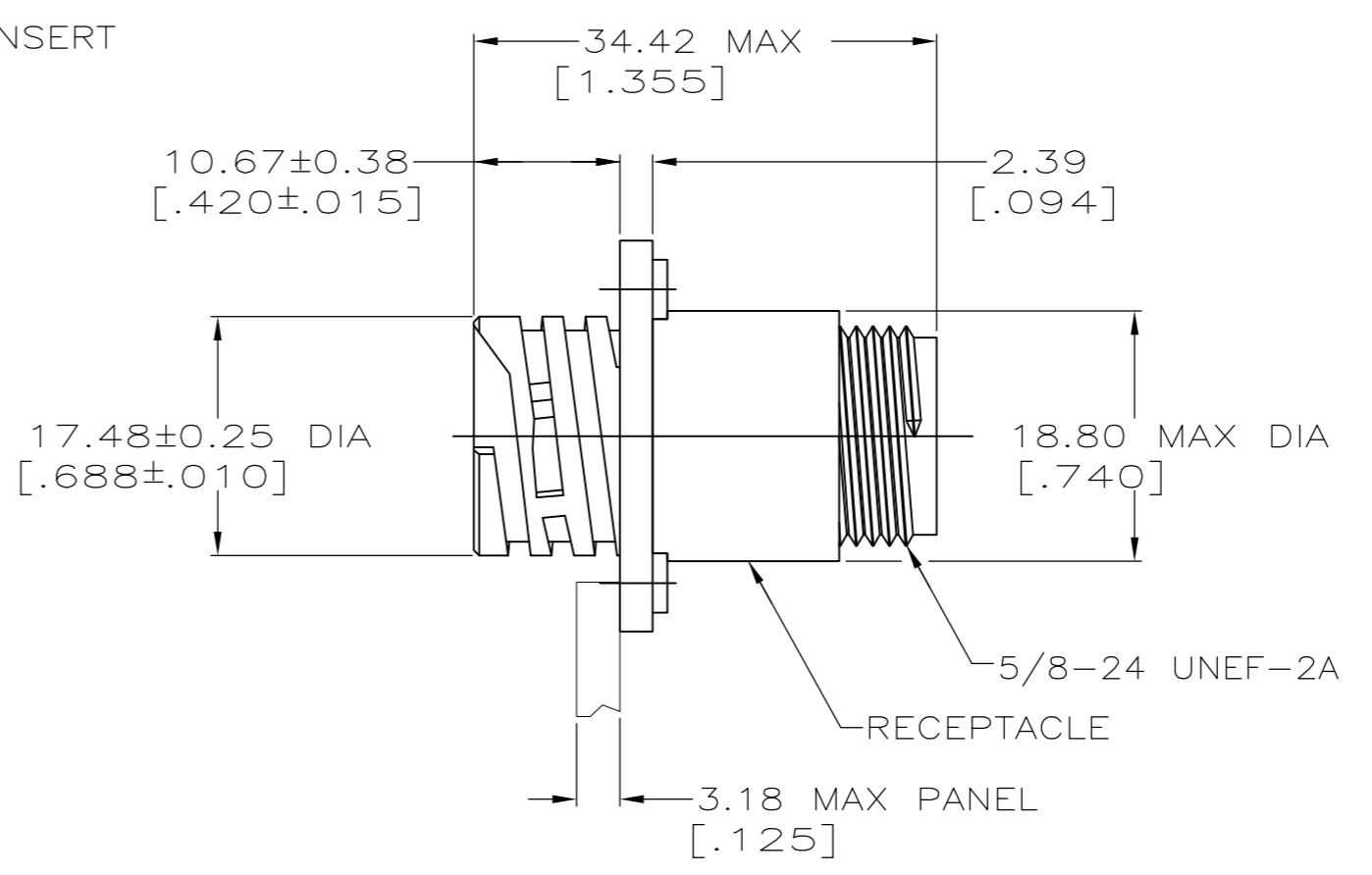
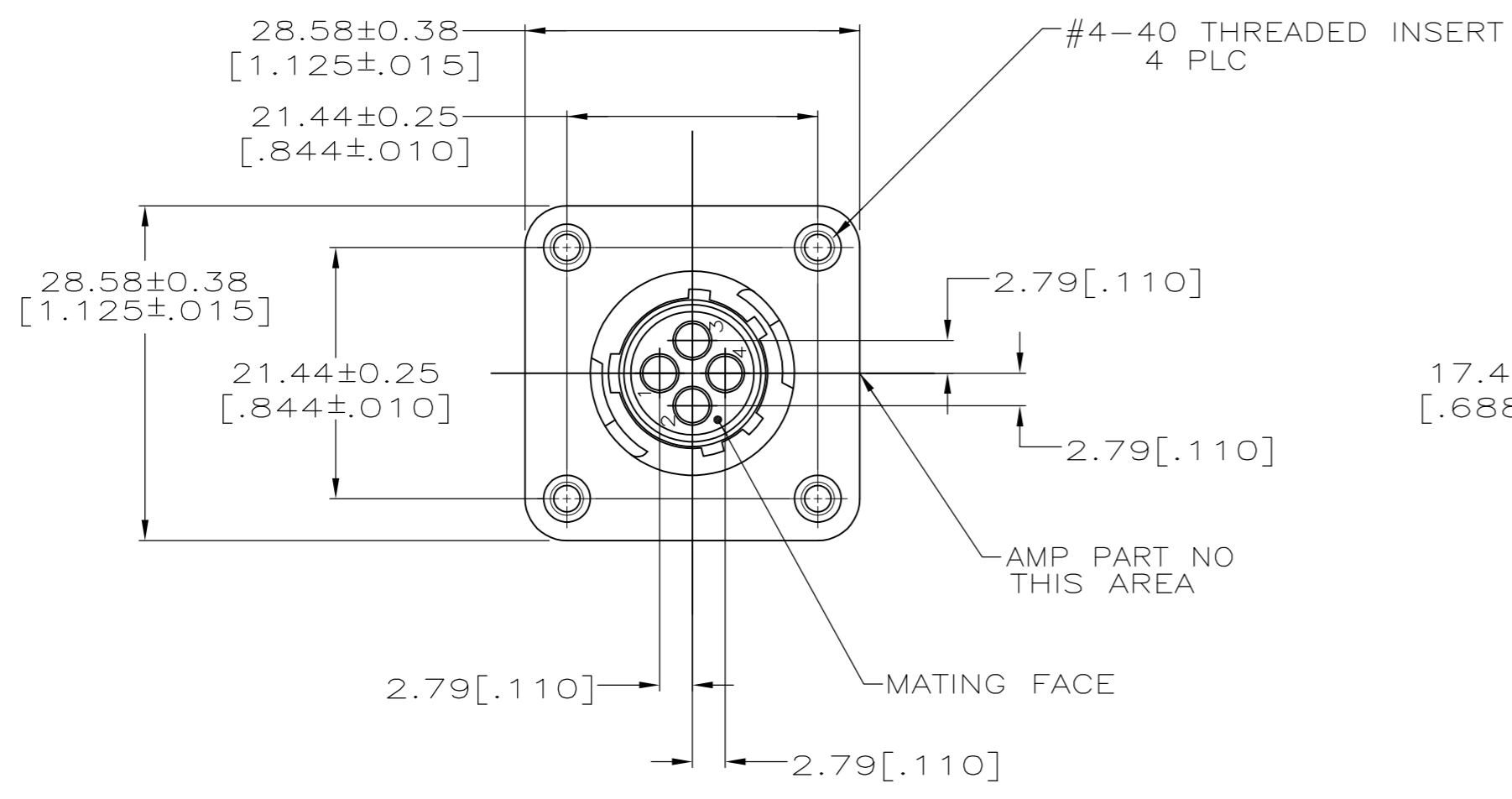
Tel: +86-755-8981 8866 Fax: +86-755-8427 6832

Email & Skype: info@chipsmall.com Web: www.chipsmall.com

Address: A1208, Overseas Decoration Building, #122 Zhenhua RD., Futian, Shenzhen, China



LOC	DIST	REVISIONS					
BD	35	P	LTR	DESCRIPTION	DATE	OWN	APVD
		A1		REVISED PER ECO-11-005027	11MAR11	RK	HMR



RECOMMENDED PANEL CUTOUT

1. CAVITY IDENTIFICATION ON FRONT AND REAR FACE.
2. WILL ACCEPT FOUR (4) MULTIMATE PIN CONTACTS.

208130-1
PART NO

THIS DRAWING IS A CONTROLLED DOCUMENT.		DWN	D.HARDY	06-20-94	 TE Connectivity
DIMENSIONS: MM[INCHES]		CHK	R.STONE	06-27-94	
TOLERANCES UNLESS OTHERWISE SPECIFIED:		APVD	A.FRANTUM	08-09-94	
0 PLC	± -	NAME		RECEPTACLE ASSEMBLY W/ THREADED FASTENERS, SHELL SIZE 11, STANDARD SEX, CPC	
1 PLC	± -	PRODUCT SPEC		-	
2 PLC	± 0.13 [.005]	APPLICATION SPEC		-	
3 PLC	± -	SIZE		A2	00779
4 PLC	± -	CAGE CODE		G-208130	
ANGLES	± ± -	DRAWING NO		-	
MATERIAL		WEIGHT		-	
HOUSING: THERMOPLASTIC, BLACK		FINISH		-	
INSERT: BRASS		CUSTOMER DRAWING		SCALE	2:1
THIS DRAWING IS A CONTROLLED DOCUMENT FOR AMP INCORPORATED. IT IS SUBJECT TO CHANGE AND THE CONTROLLING ENGINEERING ORGANIZATION SHOULD BE CONTACTED FOR THE LATEST REVISION.		RESTRICTED TO		SHEET	1 OF 1
		REV		A1	