



Chipsmall Limited consists of a professional team with an average of over 10 year of expertise in the distribution of electronic components. Based in Hongkong, we have already established firm and mutual-benefit business relationships with customers from,Europe,America and south Asia,supplying obsolete and hard-to-find components to meet their specific needs.

With the principle of “Quality Parts,Customers Priority,Honest Operation,and Considerate Service”,our business mainly focus on the distribution of electronic components. Line cards we deal with include Microchip,ALPS,ROHM,Xilinx,Pulse,ON,Everlight and Freescale. Main products comprise IC,Modules,Potentiometer,IC Socket,Relay,Connector.Our parts cover such applications as commercial,industrial, and automotives areas.

We are looking forward to setting up business relationship with you and hope to provide you with the best service and solution. Let us make a better world for our industry!



Contact us

Tel: +86-755-8981 8866 Fax: +86-755-8427 6832

Email & Skype: info@chipsmall.com Web: www.chipsmall.com

Address: A1208, Overseas Decoration Building, #122 Zhenhua RD., Futian, Shenzhen, China





CONNECT AND PROTECT

Plug-in Units


nvent

SCHROFF

Plug-in units – Plug-in units

OVERVIEW

MAIN KATALOG

- Cabinets 1
- Wall mounted cases 2
- Accessories for cabinets and wall mounted cases . . . 3
- Climate control . . . 4
- Electronics cases 5
- Subracks/ 19" chassis 6
- Front panels, plug-in units 7
- Systems 8
- Power supply units 9
- Backplanes 10
- Connectors, front panel component system 11
- Appendix 12



04612001

PLUG-IN UNITS AS KITS OR FROM INDIVIDUAL PARTS

- Handles in different designs for various applications
- Inserter/extractor handles for forces up to 1500 N
- Upgradable EMC shielding







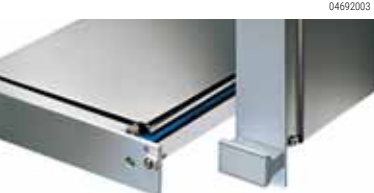
STANDARDS

- IEC 60297-3-101 / IEEE 1101.1/11
- IEC 60297-3-102 / IEEE 1101.10
- IEC 60297-3-103
- IEC 1296

SERVICEPLUS

- e.g. individual configuration and assembly**
- e.g. modifications (special colours or sizes)**
- e.g. custom solutions with modification to the plug-in units**

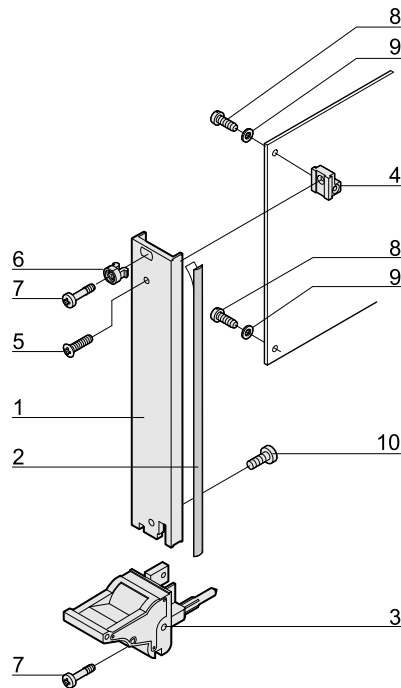
Plug-in units – Plug-in units

Handles for plug-in units		Kit	Individual components	
		Page	Page	
	For CompactPCI and VME64x applications Inserter/extractor handle, type IEL/IET, allows keying/coding and insertion/extraction forces up to 700 N per pair	7.18	7.20	Overview 7.17 Plug-in units with injector and extractor handles
	For VPX, VXS, CompactPCI and VME64x applications Inserter/extractor handle, type XL, allows keying/coding and insertion/extraction forces up to 1500 N per pair	7.30	7.31	For CompactPCI and VME64x applications 7.18
	For e.g. VMEbus applications Trapeziform extractor handle, type 2	7.33	7.35	For VPX, VXS, CompactPCI and VME64x applications 7.30
	For e.g. VMEbus applications Trapeziform extractor handle, type 1	7.40	7.42	For e.g. VMEbus applications type 2 7.33
	For Multibus® II applications Extractor handle, multibus type II, IEC 60297	–	7.46	For e.g. VMEbus applications type 1 7.40
	For plug-in units in accordance with IEC 60297 Extractor handle in key form 1	–	7.48	For Multibus® II applications 7.46
	For plug-in units in accordance with IEC 60297 Extractor handle in key form 2	–	7.51	For plug-in units in accordance with IEC 60297 7.48
	For plug-in units in accordance with IEC 60297 Static handle	7.54	7.56	For plug-in units in accordance with IEC 60297 7.51
	Accessories for plug-in units Mechanical protection for static trapeziform handle and fixing materials kit	7.64	–	For plug-in units in accordance with IEC 60297 7.54
				Accessories for plug-in units 7.62
				PCB cover 7.64

Plug-in units – for CompactPCI, VME64x

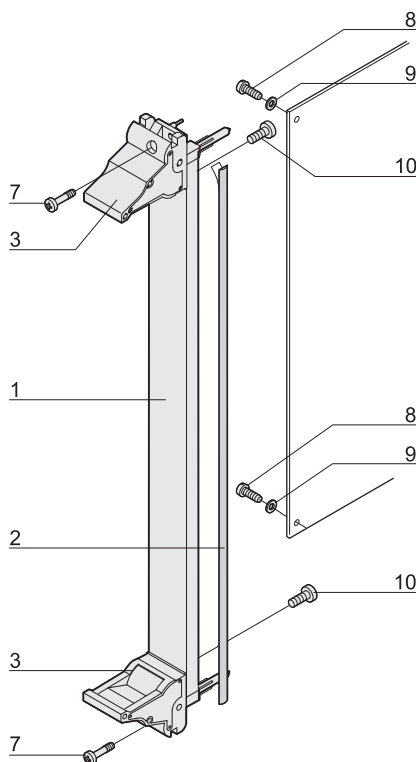
KITS
PLUG-IN UNITS WITH IEL INSERTER/EXTRACTOR HANDLE FOR COMPACTPCI/VME64X APPLICATIONS

3 U



04602073

6 U



04602074

- In accordance with IEEE 1101.10 and IEC 60297-3-102
- Codable to IEC 60297-3-103/ IEEE 1101.10
- Front panel shielded
- Suitable for insertion and extraction forces up to 700 N (per pair)
- Suitable for fitting microswitches

DELIVERY COMPRISES (kit)

Item	Qty				Description
	3 U		6 U		
	<8HP	≥8HP	<8HP	≥8HP	
1	1	1	1	1	Front panel (U profile), Al, front anodised, rear conductive
2	1	1	1	1	EMC sealing (textile), core: foam, sleeve: textile cladding, CuNi coated
3	1	1	2	2	Handle with integrated alignment pin for perforated strips and guide rails, lever: plastic, PC, black, RAL 9005; key: plastic, PC, light grey, RAL 7035
4	1	1	-	-	Board support, die-cast zinc
5	1	1	-	-	Raised Pozidrive countersunk screw M2.5 x 8, St, nickel-plated
6	1	3	-	2	Sleeve, PA, grey
7	2	4	2	4	Pozidrive collar screw, M2.5 x 12.3, St, nickel-plated
8	2	2	2	2	Panhead screw with Torx/slot, M2.5 x 6, St, zinc-plated, self-locking
9	2	2	2	2	Washer A2.7, DIN 125, St, nickel-plated
10	1	1	2	2	Panhead screw with Torx, M2.5 x 7, St, nickel-plated

ORDER INFORMATION

Width HP	Part no.	Part no.
	Rear I/O	Front assembly
3 U Height		
4	20848-751	20848-585
6	-	20848-587
8	20848-752	20848-589
10	-	20848-590
12	-	20848-591
6 U Height		
4	-	20848-592
6	-	20848-594
8	-	20848-596
10	-	20848-597
12	-	20848-598
Accessories		
Microswitch for handles, CompactPCI/VME64x application PU 10 pieces		20817-606

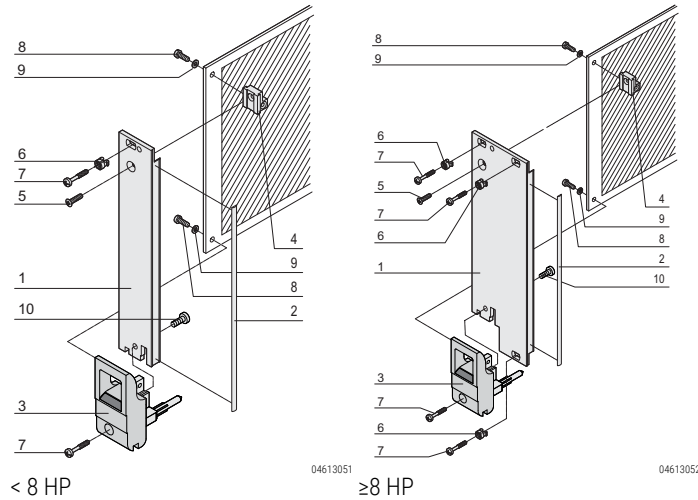
- Dimension drawing of front profile see page 7.26
- Description of microswitch see page 7.31

Plug-in units – for CompactPCI, VME64x

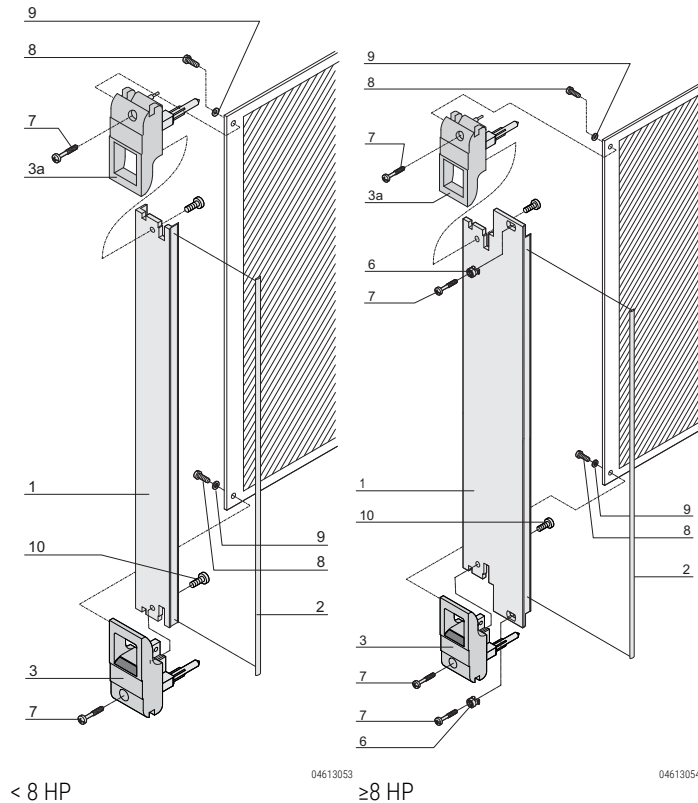
KITS

PLUG-IN UNITS WITH IET INSERTION/EXTRACTOR HANDLE FOR COMPACTPCI/VME64X APPLICATIONS

3 U



6 U



- Suitable for insertion and extraction forces up to 700 N (per pair)
- Version for telecoms applications
- To IEEE 1101.10 and IEC 60297-3-102
- Codable to IEC 60297-3-103/ IEEE 1101.10
- Front panel, shielded (3 U, 6 HP)
- designed for fitting of microswitches
- Online download of 3D CAD data

DELIVERY INCLUDES (Kit)

Item	3 U		6 U		Description
	<math>< 8\text{ HP}</math>	$\geq 8\text{ HP}$	<math>< 8\text{ HP}</math>	$\geq 8\text{ HP}$	
1	1	1	1	1	Front panel (U profile), Al, front anodized, rear conductive
2	1	1	1	1	EMC sealing (textile), core: foam, sleeve: textile cladding, CuNi coated
3	1	1	2	2	Handle with integrated alignment pin for perforated strips and guide rails, lever: plastic, PC, black, RAL 9005 Key: Plastic, PC, light gray, RAL 7035
4	1	1	-	-	Board support, die-cast zinc
5	1	1	-	-	Raised Pozidrive countersunk screw M2.5 x 8, St, nickel-plated
6	1	3	-	2	Sleeve, PA, gray
7	2	4	2	4	Pozidrive collar screw, M2.5 x 12.3, St, nickel-plated
8	2	2	2	2	Panhead screw with Torx/slot, M2.5 x 6, St, zinc-plated, self-locking
9	2	2	2	2	Washer A2.7, DIN 125, St, nickel-plated
10	1	1	2	2	Panhead screw with Torx, M2.5 x 7, St, nickel-plated

ORDER INFORMATION

Width HP	Part no.
3 U Height	
4	20848-763
8	20848-764
12	20848-765
6 U Height	
4	20848-766
8	20848-767
12	20848-768

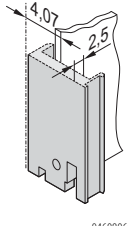
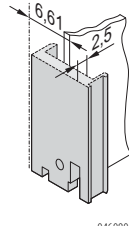
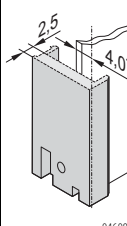
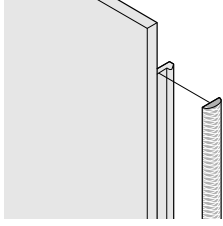
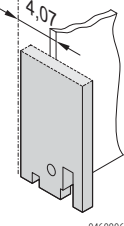
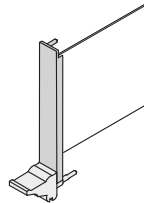
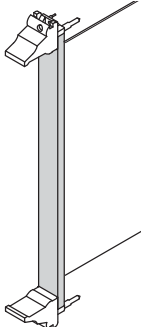
Accessories

Coding peg, PC, UL 94 V-0, grey, RAL 7035 PU 100 pieces	20817-501
Microswitch for handles, CompactPCI/VME64x application PU 10 pieces	20817-606

- For description of coding peg and microswitch see page 7.23
- Description of microswitch see page 7.31

Plug-in units – for CompactPCI, VME64x

INDIVIDUAL COMPONENTS
FRONT PANELS, U-PROFILES, FOR EXTRACTOR HANDLES, TYPE IEL, IET
ORDER INFORMATION

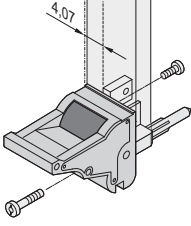
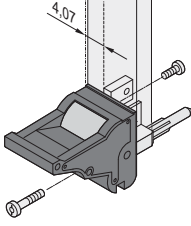
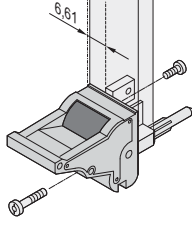
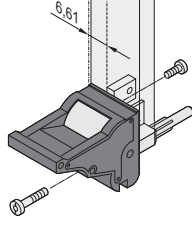
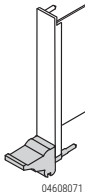
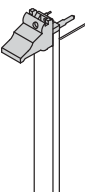
	Front panel, U profile, shieldable			Textile EMC gasket		Front panel, flat, unshielded, front mounting	
	Front mounting	Front mounting, PCB fixing with 0.1" offset	Rear I/O mounting				
							
	04608060	04608062	04608061	BGA45760		04608063	
	Al extrusion, 2.5 mm, front anodised, rear conductive; alignment pin pressed-in (3 U only), stainless steel; manufacturing process causes various surface structures to appear between 4 to 12 HP and 14 to 16 HP			always fixed laterally on the front panel, in the groove of the profile, textile gasket, core: foam, sleeve: textile cladding with CuNi coating, UL 94 V-0, temperature range -40 ... 70 °C		front panel, Al, 2.5 mm, front anodised, rear iridescent green chromated	
Width HP	1 piece (SPQ 5) ¹⁾	1 piece (SPQ 5) ¹⁾	1 piece (SPQ 5) ¹⁾	PU 10 pieces	PU 100 pieces	1 piece (SPQ 5) ¹⁾	
3 U Height							
	4	30848-312	30848-426	30848-867	21101-853	21101-854	30848-327
	5	30848-300	30848-427	–			30848-328
	6	30848-313	30848-428	–			30848-329
	7	30848-301	30848-429	–			30848-330
	8	30848-314	30848-430	30848-869			30848-331
	9	20848-227	–	–			–
	10	30848-315	30848-431	–			30848-333
	11	20848-228	–	–			–
	12	30848-316	30848-432	30848-985			30848-335
	16	20848-232	–	–			–
6 U Height							
	4	30848-317	30848-317	30848-317	21101-855	21101-856	30848-336
	5	30848-304	30848-304	30848-304			30848-337
	6	30848-318	30848-318	30848-318			30848-338
	7	30848-305	30848-305	30848-305			30848-339
	8	30848-319	30848-319	30848-319			30848-340
	9	20848-243	20848-243	20848-243			–
	10	30848-320	30848-320	30848-320			30848-342
	11	20848-244	20848-244	20848-244			–
	12	30848-321	30848-321	30848-321			30848-344
	16	20848-248	20848-248	20848-248			–
Fixing material see page	7.23	7.23	7.23			7.23	
Dimensions see page	7.26	7.26	7.25			7.27	

1) SPQ (standard pack quantity): Part number includes 1 piece, but delivery is exclusively made in standard pack quantity (SPQ); please order at least the SPQ quantity or a multiple

Part no. includes one packing unit (PU); delivery is exclusively made in PU

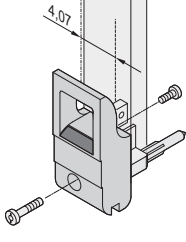
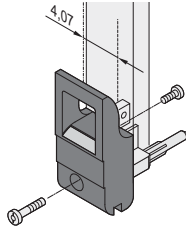
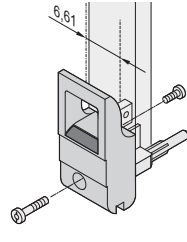
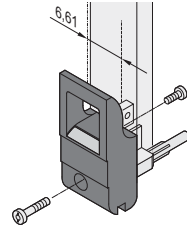
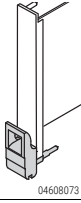
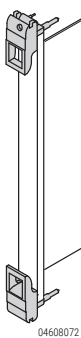
Plug-in units – for CompactPCI, VME64x

INDIVIDUAL COMPONENTS
INSERTER/EXTRACTOR HANDLE, TYPE IEL
ORDER INFORMATION

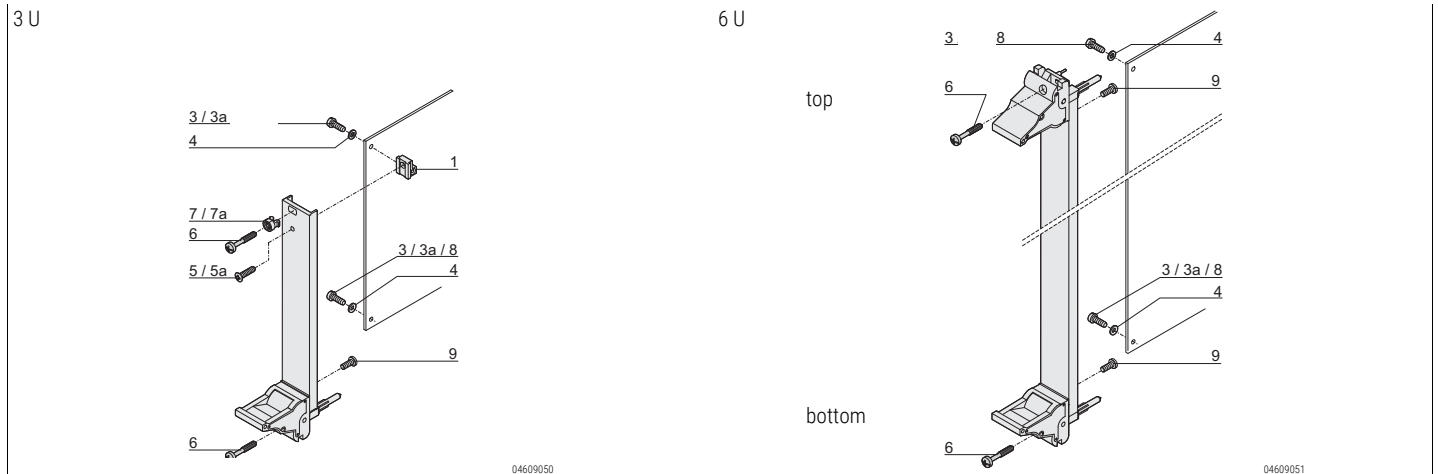
	Inserter/extractor handle, type IEL, board fixing without offset				Inserter/extractor handle, type IEL, board fixing with 0.1" offset				
	lever: light grey, RAL 7035 key: black, RAL 9005		lever: black, RAL 9005 key: light grey, RAL 7035		lever: light grey, RAL 7035 key: black, RAL 9005		lever: black, RAL 9005 key: light grey, RAL 7035		
	 04608050		 04608052		 04608051		 04608053		
	in accordance with IEEE 1101.10 and IEC 60297-3-102, with locking, suitable for insertion and extraction forces up to 700 N (per pair), suitable for fitting of microswitches; block die-cast zinc, nickel-plated, with integrated alignment pin for perforated strip, codable to IEEE 1101.10 and IEC 60297-3-103, lever/key UL 94 V-0, slotted Pozidrive collar screw, M2.5 x 12.3, St, nickel-plated, panhead screw with Torx, M2.5 x 7, St, nickel-plated				in accordance with IEEE 1101.10 and IEC 60297-3-102, with locking, suitable for insertion and extraction forces up to 700 N (per pair), suitable for fitting of microswitches; 0.1" offset is used for PSUs with SMD Plus, block die-cast zinc, nickel plated; with integrated alignment pin for perforated strip, codable to IEEE 1101.10 and IEC 60297-3-103, lever/key UL 94 V-0, slotted Pozidrive collar screw, M2.5 x 12.3, St, nickel-plated, panhead screw with Torx, M2.5 x 7, St, nickel-plated				
Assembly	PU 10 pieces	PU 100 pieces	PU 10 pieces	PU 100 pieces	PU 10 pieces	PU 100 pieces	PU 10 pieces	PU 100 pieces	
 04608071	3 U Height bottom								
	Front side	20817-620	20817-621	20817-612	20817-613	20817-690	20817-691	20817-682	20817-683
	Rear I/O	20817-622	20817-623	20817-614	20817-615	-	-	-	-
 04608070	6 U Height top								
	Front side	20817-622	20817-623	20817-614	20817-615	20817-692	20817-693	20817-684	20817-685
	Rear I/O	20817-620	20817-621	20817-612	20817-613	-	-	-	-
	bottom								
	Front side	20817-620	20817-621	20817-612	20817-613	20817-690	20817-691	20817-682	20817-683
Rear I/O	20817-622	20817-623	20817-614	20817-615	-	-	-	-	
Dimensions see page		7.28				7.28			

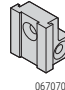

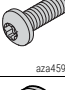


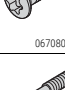


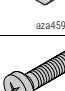
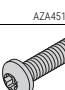
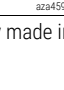
Plug-in units – for CompactPCI, VME64x

INDIVIDUAL COMPONENTS
INSERTER/EXTRACTOR HANDLE, TYPE IET
ORDER INFORMATION

		Inserter/extractor handle, type IET, board fixing without offset				Inserter/extractor handle, type IET, board fixing with 0.1" offset			
		lever: light grey, RAL 7035 key: black, RAL 9005		lever: black, RAL 9005 key: light grey, RAL 7035		lever: light grey, RAL 7035 key: black, RAL 9005		lever: black, RAL 9005 key: light grey, RAL 7035	
		 04608054		 04608056		 04608055		 04608057	
		in accordance with IEEE 1101.10 and IEC 60297-3-102, with locking, suitable for insertion and extraction forces up to 700 N (per pair), suitable for fitting of microswitches; block die-cast zinc, nickel-plated, with integrated alignment pin for perforated strip, codable to IEEE 1101.10 and IEC 60297-3-103, lever/key UL 94 V-0, Slotted Pozidrive collar screw, M2.5 x 12.3, St, nickel-plated, panhead screw with Torx, M2.5 x 7, St, nickel-plated				in accordance with IEEE 1101.10 and IEC 60297-3-102, with locking, suitable for insertion and extraction forces up to 700 N (per pair), suitable for fitting of microswitches; 0.1" offset is used for PSUs with SMD Plus: block die-cast zinc, nickel plated; with integrated alignment pin for perforated strip, codable to IEEE 1101.10 and IEC 60297-3-103, lever/key UL 94 V-0, slotted Pozidrive collar screw, M2.5 x 12.3, St, nickel-plated, panhead screw with Torx, M2.5 x 7, St, nickel-plated			
Assembly		PU 10 pieces	PU 100 pieces	PU 10 pieces	PU 100 pieces	PU 10 pieces	PU 100 pieces	PU 10 pieces	PU 100 pieces
 04608073		3 U Height bottom							
Front side	20817-660	20817-661	20817-652	20817-653	20817-714	20817-715	20817-706	20817-707	
Rear I/O	20817-662	20817-663	20817-654	20817-655	-	-	-	-	
 04608072		6 U Height top							
Front side	20817-662	20817-663	20817-654	20817-655	20817-716	20817-717	20817-708	20817-709	
Rear I/O	20817-660	20817-661	20817-652	20817-653	-	-	-	-	
		bottom							
Front side	20817-660	20817-661	20817-652	20817-653	20817-714	20817-715	20817-706	20817-707	
Rear I/O	20817-662	20817-663	20817-654	20817-655	-	-	-	-	
Fixing material see page	7.23				7.23				
Dimensions see page	7.29				7.29				

Plug-in units – for CompactPCI, VME64x

INDIVIDUAL COMPONENTS
INSERTER/EXTRACTOR HANDLES, TYPE IEL/IET, FIXING MATERIAL
ORDER INFORMATION


Fixing material	Item	3 U	3 U		6 U		Qty/PU	Part no.
			< 8 HP	≥ 8 HP	< 8 HP	≥ 8 HP		
Printed board bracket Zn die-cast	1		1	1	-	-	1 piece (SPG 10) ¹⁾	60807-181
Pozidrive panhead screw M2.5 × 6, St, nickel-plated, not for 0.1" offset	3		2	2	2	2	100	21101-219
Slotted panhead screw with Torx 8 M2.5 × 6, St, zinc-plated, self-securing thread not for 0.1" offset	3a		2	2	2	2	100	24560-159
Washer 2.7, DIN 125, St, nickel-plated	4		2	2	2	2	100	21100-721
Raised Pozidrive countersunk panhead screw M2.5 × 8, St, nickel-plated	5		1	1	-	-	100	21100-429
Raised countersunk panhead screw with Torx 8 M2.5 × 8, St, nickel-plated	5a		1	1	-	-	100	24560-164
Pozidrive/slotted collar screw M2.5 × 12.3, St, nickel-plated	6		1	3	-	2	100	21101-101
Plastic sleeve, for form hole 5.9 x 3.3 PA, UL 90 V-2, grey	7		1	3	-	2	100	21100-464
Metal sleeve, for form hole 5.9 x 3.3, press-in Stainless steel	7a		1	3	-	2	100	21100-662
Pozidrive panhead screw for IEL/IET handle with 0.1" offset M2.5 × 10, nickel-plated steel	8		2	2	2	2	100	21101-220
Torx panhead screw M2.5 × 7, St, nickel-plated, Torx 8,	9		1	1	2	2	100	24560-147

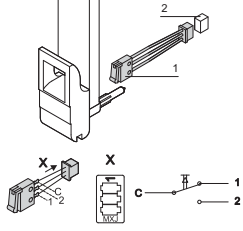
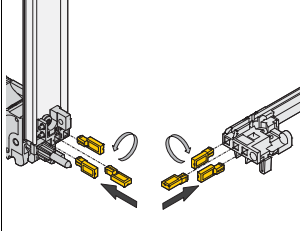
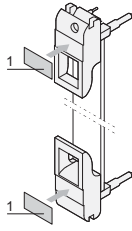
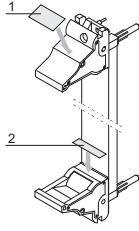
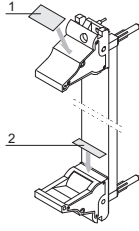
SPQ (standard pack quantity): Part number includes 1 piece, but delivery is exclusively made in standard pack quantity (SPQ); please order at least the SPQ quantity or a multiple

Plug-in units – for CompactPCI, VME64x

INDIVIDUAL COMPONENTS

INSERTER/EXTRACTOR HANDLES, TYPE IEL/IET, ACCESSORIES

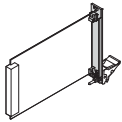
ORDER INFORMATION

Microswitch	Keying/coding	Label strips	Label strips	
with cable and plug	in accordance with IEC 60297-3-103	19 x 9.5 mm	19 x 9.5 mm	19 x 4.8 mm
 <p>bga46314 bga46315</p> <p>Molex connector housing 51021-0300, Molex crimp contact 50058-8000 and fixing clip (item 3), plastic, PC, UL 94 V-0, max. switched current 50 mA, operating range -25 °C to +70 °C, mech. life ≥ 20,000 switching cycles, electr. life ≥ 20,000 switching cycles; suitable mating connectors (item 2) e.g. Molex 53261-0319, 53048-0310, 53047-0310, 53398-0319, 51047-0300 not included in scope of delivery</p>	 <p>04612052</p> <p>The keying/coding pegs prevent plug-in units to be mounted in wrong slots. They are inserted in the chambers of the codable card guides as well as in the insertion/extraction handles IEL or IET (4 possible positions), resulting in 64 codings per card guide; when coding the upper and lower card guide, 4096 codings will result; guide rails for coding see page 6.40</p>	 <p>04606050</p> <p>Polyester, self-adhesive, white, 1 sheet 210 pieces (Item 1)</p>	 <p>bga46317</p> <p>Polyester, self-adhesive, white, 1 sheet 210 pieces (item 1)</p>	 <p>Polyester, self-adhesive, white, 1 sheet 320 pieces (item 2)</p>
PU 10 pieces	PU 100 pieces	PU 210 pieces	PU 210 pieces	PU 320 pieces
3 U Height				
bottom				
20817-606	20817-501	60817-340	60817-340	60817-341
6 U Height				
top				
20817-606	20817-501	60817-340	60817-340	60817-341
bottom				
20817-606	20817-501	60817-340	60817-340	60817-341

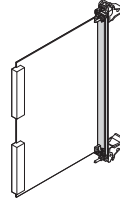
Plug-in units – for CompactPCI, VME64x

DIMENSIONS
FRONT PANELS, U-PROFILES, INSERTER/EXTRACTOR HANDLES, TYPE IEL/IET, REAR I/O, SHIELDABLE

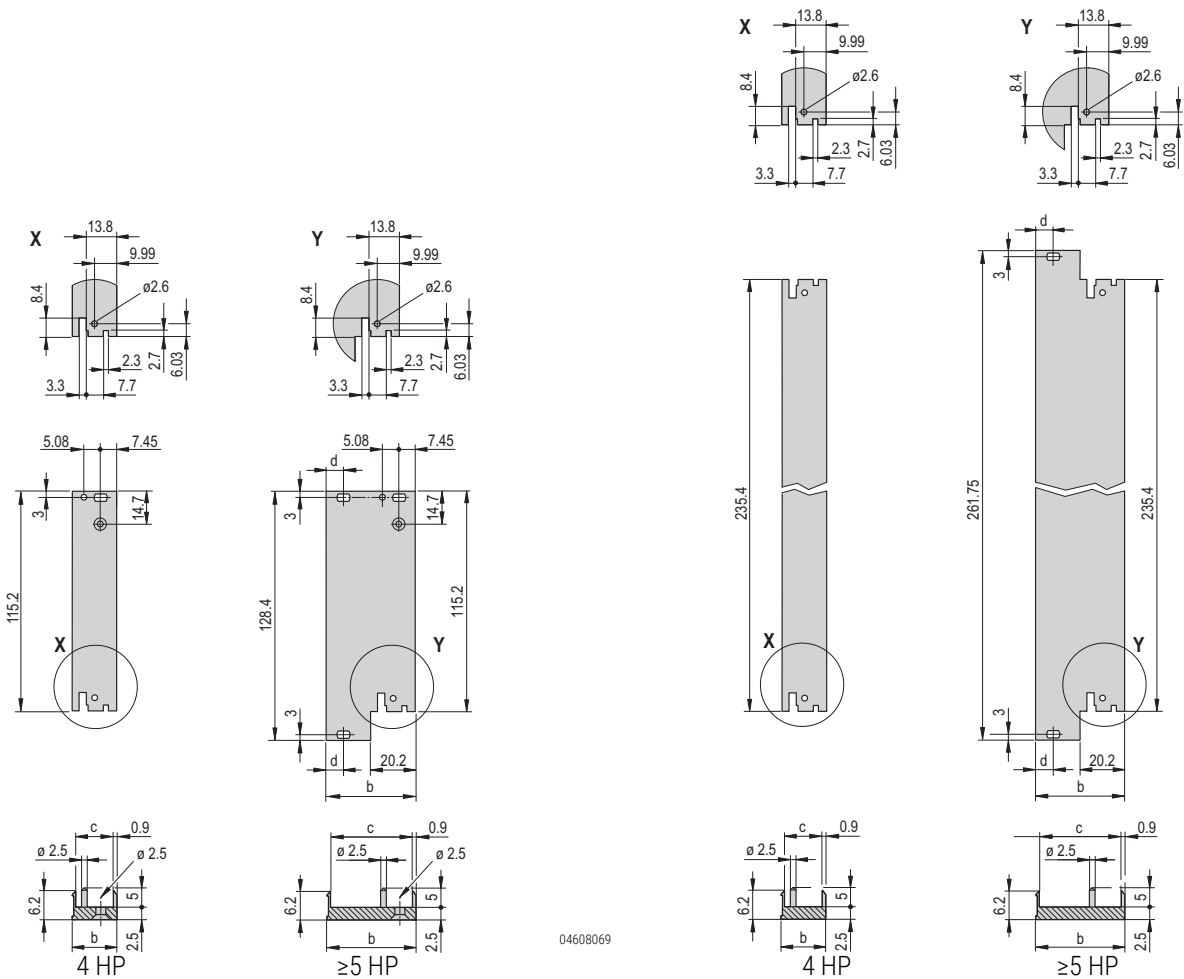
PCB fixing without offset

3 U


04608068

6 U


04608076



04608069

04608075

Dimensions table

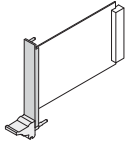
Width	b	c	d
HP	mm	mm	mm
4	19.98	17.45	-
5	25.06	22.53	-
6	30.14	27.61	-
7	35.22	32.69	-
8	40.30	37.77	7.45
9	45.38	42.85	7.45
10	50.46	47.93	7.45
11	55.54	53.01	7.45
12	60.62	58.09	7.45
14	70.78	68.25	7.45
16	80.94	78.41	7.45

Plug-in units – for CompactPCI, VME64x

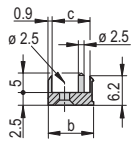
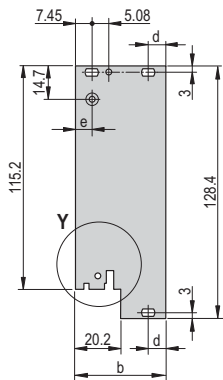
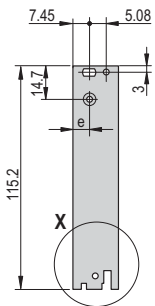
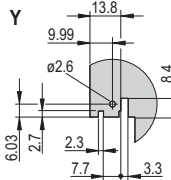
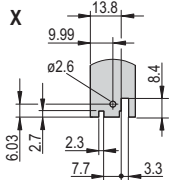
DIMENSIONS FRONT PANELS, U-PROFILES, INSERTER/EXTRACTOR HANDLES, TYPE IEL, IET, SHIELDABLE

PCB fixing without offset / with 0.1" offset

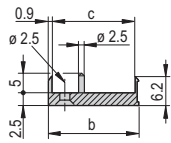
3 U



04608067

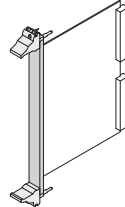


4 HP

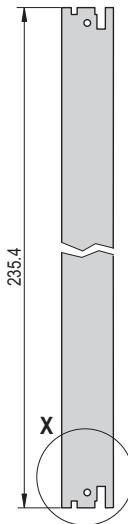
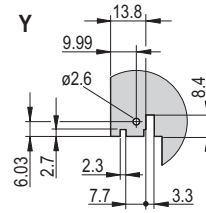
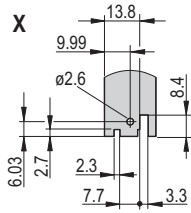


≥5 HP

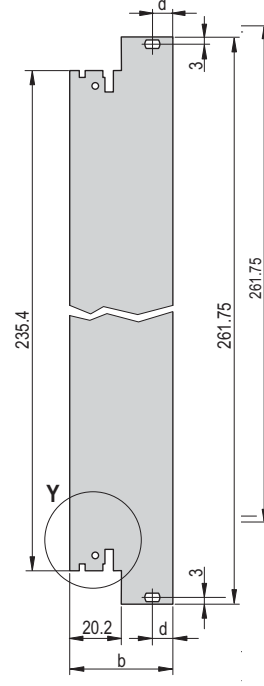
6 U



04608066



2.5 | b | 4 HP



2.5 | b | ≥5 HP

04608064

04608065

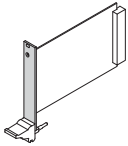
Dimensions table

Width HP	b mm	c mm	d mm	without offset	with 0.1" offset
				e mm	e mm
4	19.98	17.45	-	7.45	9.99
5	25.06	22.53	-	7.45	9.99
6	30.14	27.61	-	7.45	9.99
7	35.22	32.69	-	7.45	9.99
8	40.30	37.77	7.45	7.45	9.99
9	45.38	42.85	7.45	7.45	9.99
10	50.46	47.93	7.45	7.45	9.99
11	55.54	53.01	7.45	7.45	9.99
12	60.62	58.09	7.45	7.45	9.99
14	70.78	68.25	7.45	7.45	9.99
16	80.94	78.41	7.45	7.45	9.99

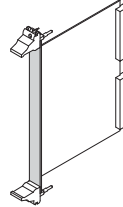
Plug-in units – for CompactPCI, VME64x

DIMENSIONS
FRONT PANELS, INSERTER/EXTRACTOR HANDLES, TYPE IEL/IET, UNSHIELDED

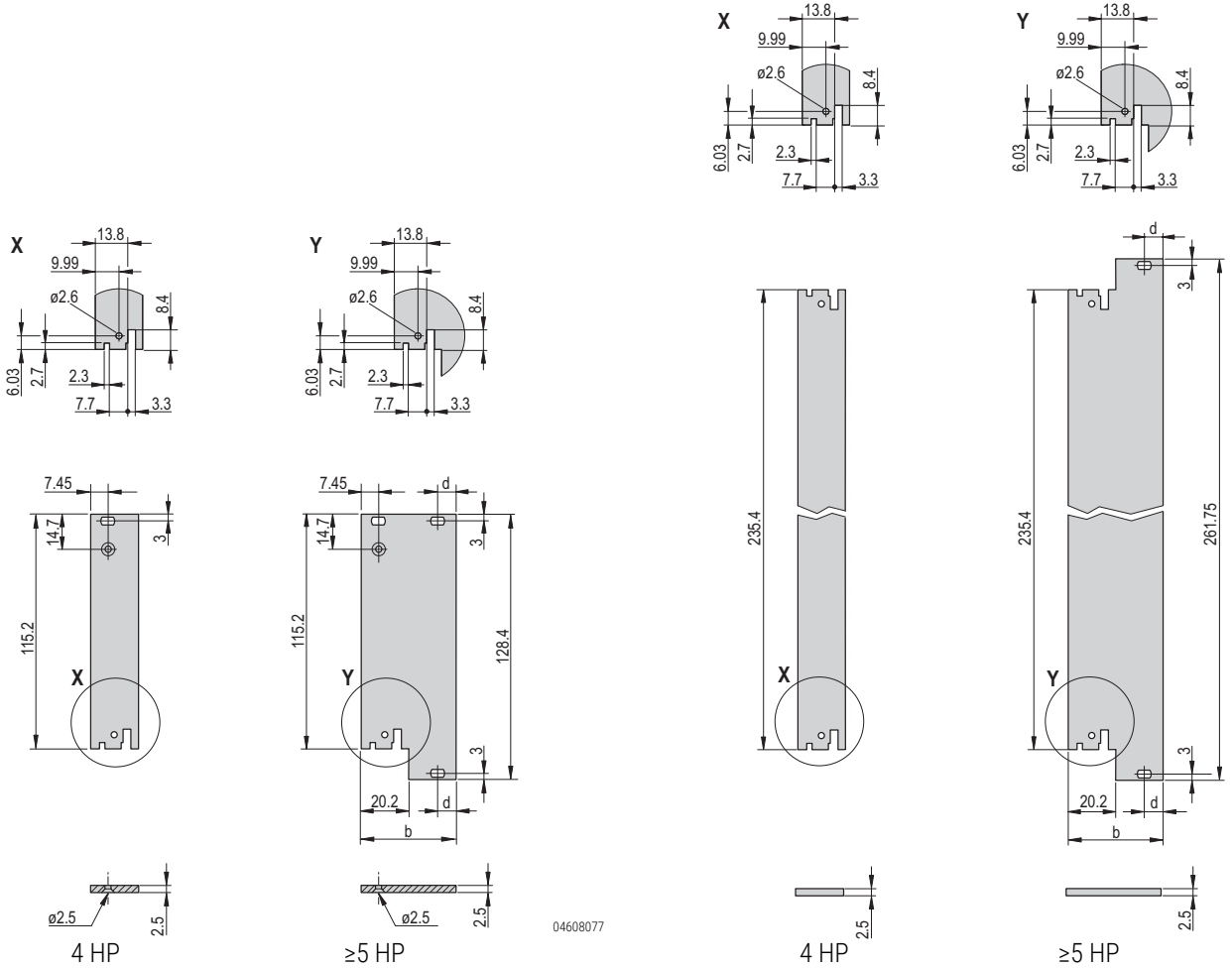
PCB fixing without offset

3 U


04608080

6 U


04608079



04608077

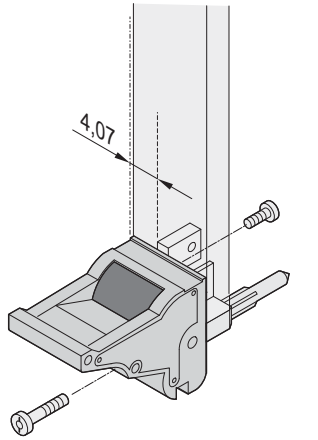
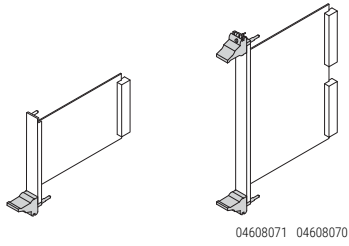
04608078

Dimensions table		
Width HP	b mm	d mm
4	19.98	-
5	25.06	-
6	30.14	-
7	35.22	-
8	40.30	7.45
9	45.38	7.45
10	50.46	7.45
11	55.54	7.45
12	60.62	7.45
14	70.78	7.45
16	80.94	7.45

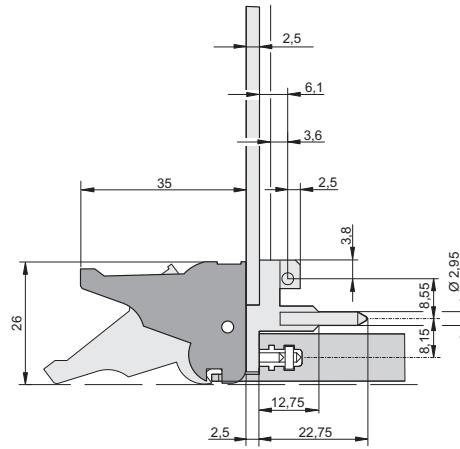
Plug-in units – for CompactPCI, VME64x

DIMENSIONS

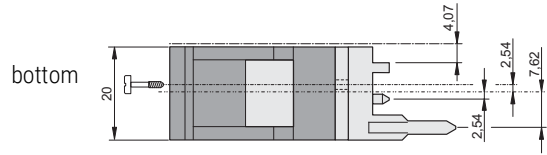
INSERTER/EXTRACTOR HANDLE, TYPE IEL



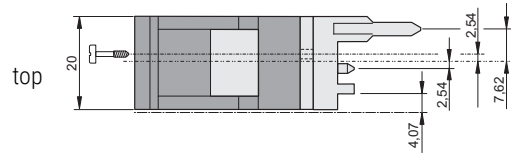
04608050



04603059



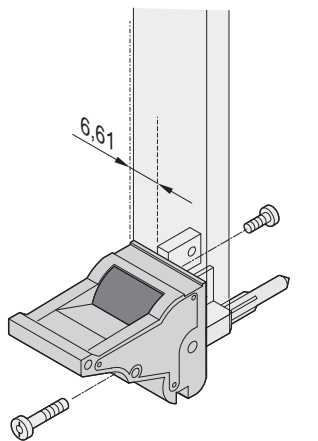
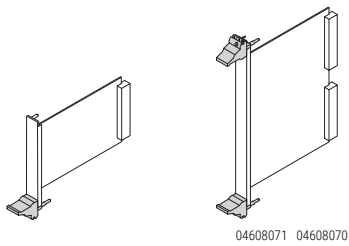
04607053



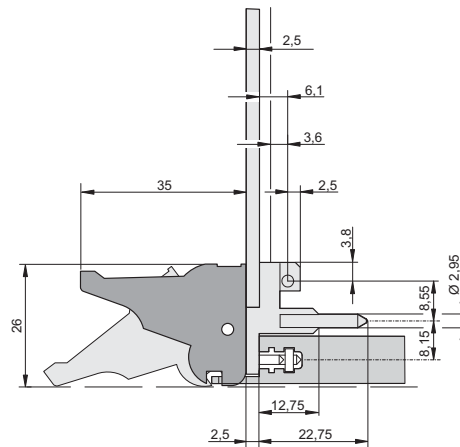
04607054

DIMENSIONS

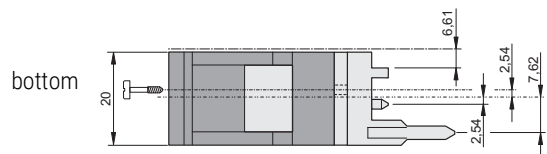
INSERTER/EXTRACTOR HANDLE, TYPE IEL, 0.1" OFFSET



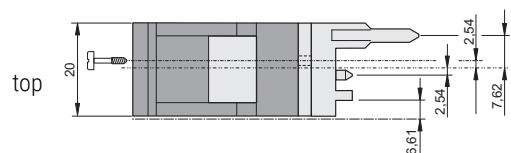
04608051



04603059

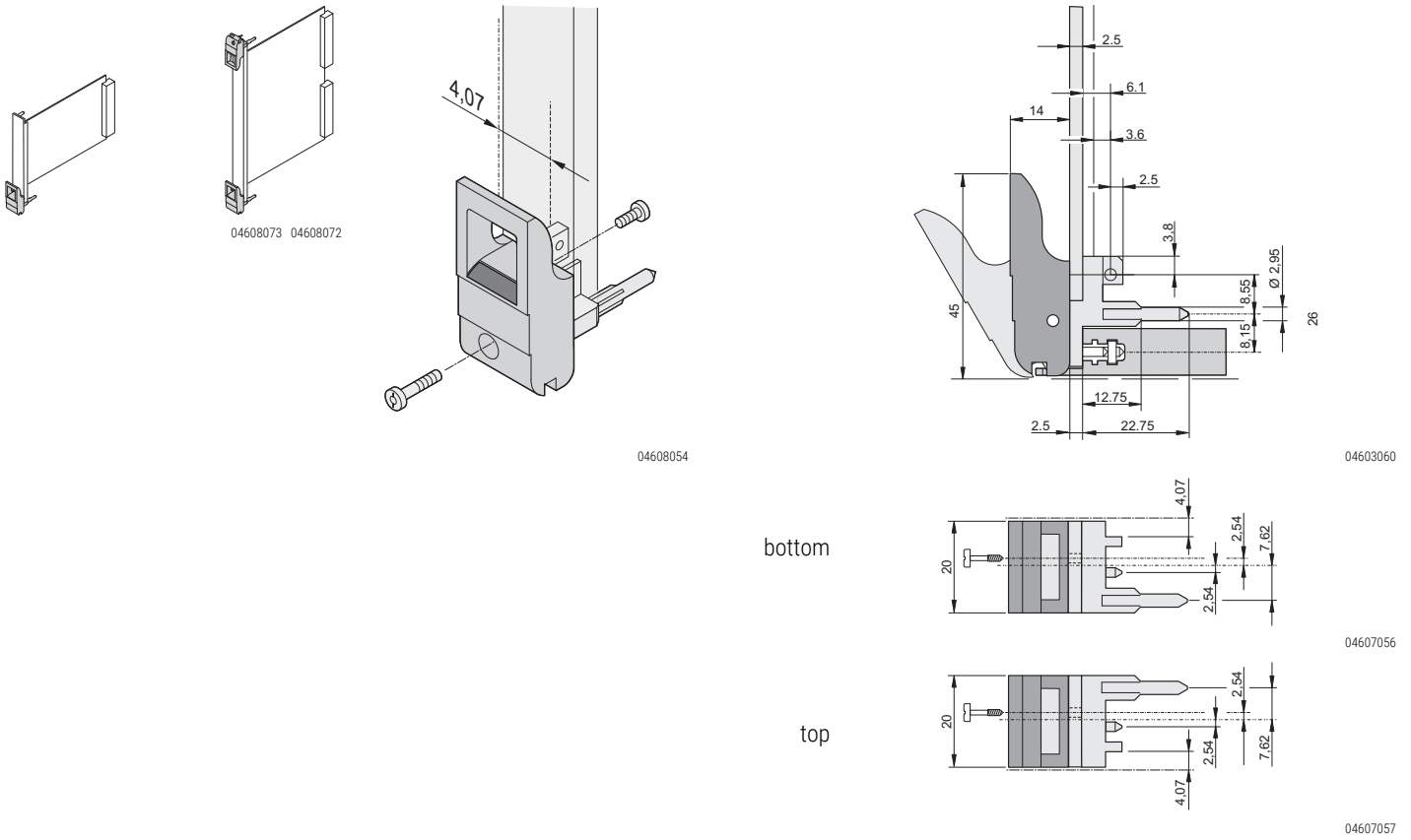
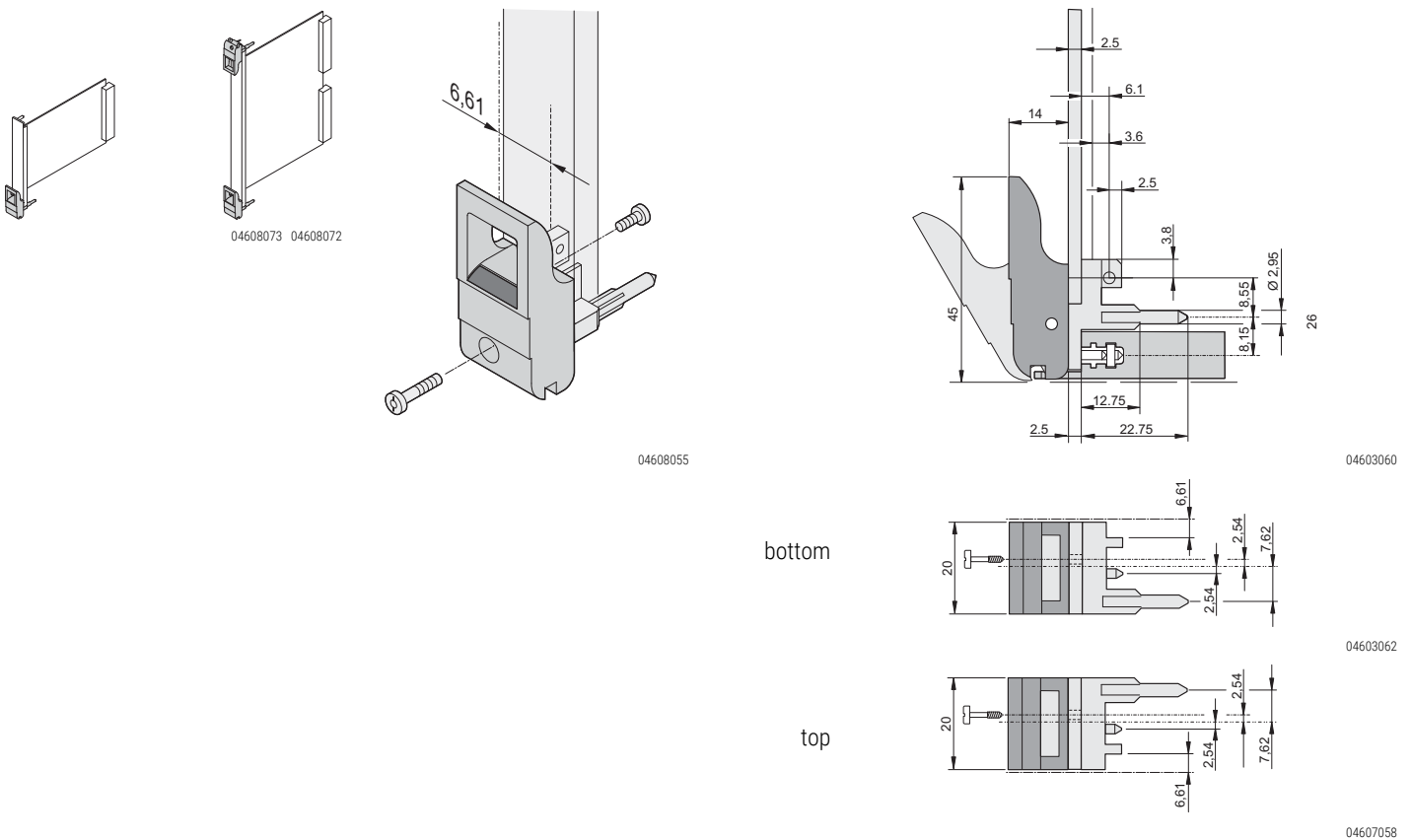


04603061



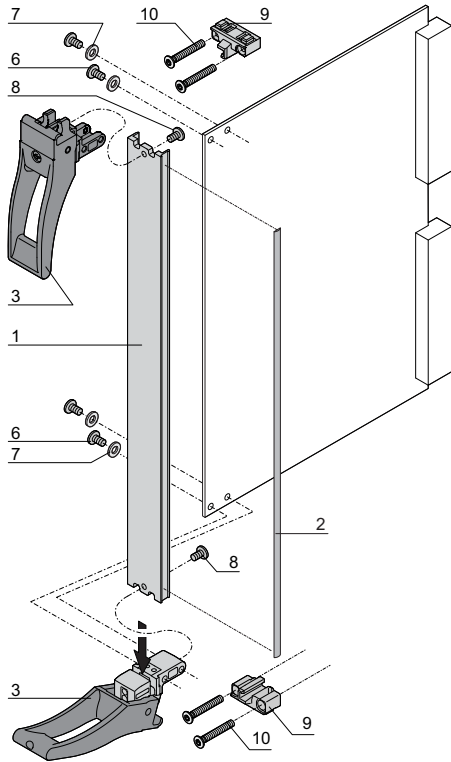
04607055

Plug-in units – for CompactPCI, VME64x

DIMENSIONS
INSERTER/EXTRACTOR HANDLE, TYPE IET

DIMENSIONS
INSERTER/EXTRACTOR HANDLE, TYPE IET, 0.1" OFFSET


Plug-in units – for CompactPCI, VME64x,

PLUG-IN UNITS WITH XL INSERTION/EXTRACTOR HANDLE FOR COMPACTPCI, VME64X, VXS AND VPX APPLICATIONS



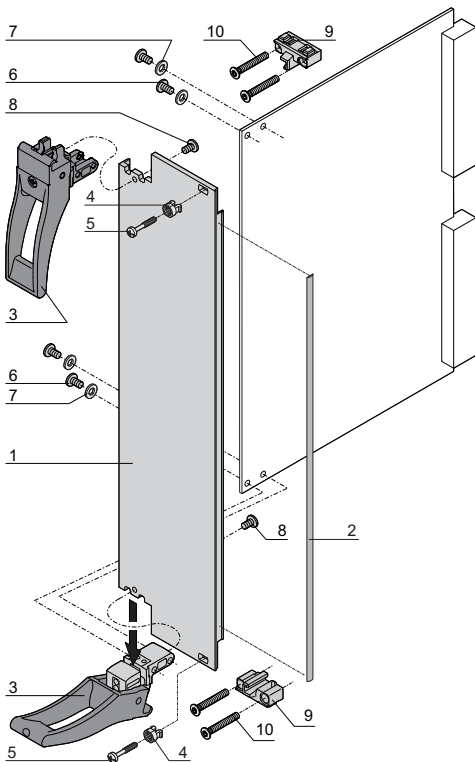
< 8 HP

- Suitable for insertion and extraction forces up to 1500 N (per pair)
- To IEEE 1101.10 and IEC 60297-3-102
- Codable to IEC 60297-3-103/ IEEE 1101.10
- Front panel, shielded (6 U)
- Versions allowing microswitches to be fitted on request
- Online download of 3D CAD data

DELIVERY INCLUDES (Kit)

Item	Qty		Description
	<8 HP	≥8 HP	
1	1	1	Front panel (U profile), Al, front anodized, rear conductive
2	1	1	EMC sealing (textile), core: foam, sleeve: textile cladding, CuNi coated
3	2	2	Handle with integrated alignment pin for perforated strips and guide rails, lever: plastic, PC, black, RAL 9005 Key: Plastic, PC, light gray, RAL 7035
4	-	2	Sleeve, PA, gray
5	-	2	Pozidrive collar screw, M2.5 × 12.3, St, nickel-plated
6	4	4	Panhead screw with Torx/slot, M2.5 × 6, St, zinc-plated, self-locking
7	4	4	Washer A2.7, DIN 125, St, nickel-plated
8	4	4	Pan head screw with torx M2.5 × 7, St, zinc-plated
9	1	1	XL bearing, zinc diecast, nickel-plated
10	4	4	Countersunk screw with torx M2.5 × 17, St, zinc-plated

04613055



≥8 HP

04613056


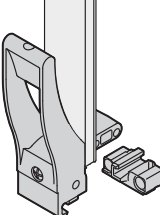
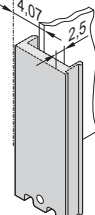
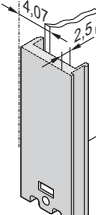
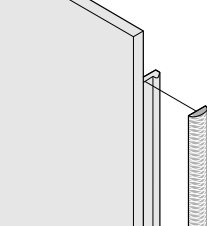
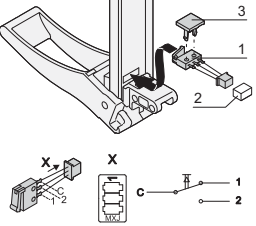
ORDER INFORMATION

Width HP	Part no.
6 U Height	
4	20848-769
8	20848-770
12	20848-771

- Dimension drawing of front profile, see page 7.32

Plug-in units – for CompactPCI, VME64x,

INDIVIDUAL COMPONENTS
INSERTER/EXTRACTOR HANDLE, TYPE XL, FRONT PANELS, MICROSWITCH

	Inserter/extractor handle, type XL	U front profile, shieldable, for inserter/extractor handle, type XL		EMC gasket (textile)		Microswitch item 1 with cable and plug
		without cut-out for microswitch	with cut-out for microswitch			
 04605008	 04608081	 04608082	 04608083	 BGA45760	 04608084 bga46315	
	kit, incl. die-cast bearing and assembly kit; insertion and extraction force up to 1500 Nm per pair; handle in PA, fibreglass reinforced, UL 94V 0; robust board fixing with double bolt fixing, microswitches can be fitted	Al, front anodised, sides and rear conductive, for sleeve and collar screw see page 7.37	Al, front anodised, sides and rear conductive for sleeve and collar screw see page 7.37	always fixed laterally on the front panel, in the groove of the profile, textile gasket, core: foam, sleeve: textile cladding with CuNi coating, UL 94 V-0		Molex connector housing 51021-0300, Molex crimp contact 50058-8000 and fixing clip (item 3), plastic, PC, UL 94 V-0, max. switched current 50 mA, operating range -25 °C to +70 °C, mech. life ≥ 20,000 switching cycles, electr. life ≥ 20,000 switching cycles; suitable mating connector (item 2) e.g. Molex 53261-0319, 53048-0310, 53047-0310, 53398-0319, 51047-0300, not included in scope of delivery
Width HP	PU 10 pieces	1 piece (SPQ 5) ¹⁾	1 piece (SPQ 5) ¹⁾	PU 10 pieces	PU 100 pieces	PU 10 pieces
	6 U Height					
4		30849-153	30849-154			
8	20817-874	30849-155	30849-156	21101-855	21101-856	20817-877
12		30849-157	30849-158			
Dimensions see page	7.30	7.30	7.30			

1) SPQ (standard pack quantity): Part number includes 1 piece, but delivery is exclusively made in standard pack quantity (SPQ); please order at least the SPQ quantity or a multiple

Part no. includes one packing unit (PU); delivery is exclusively made in PU

NOTE

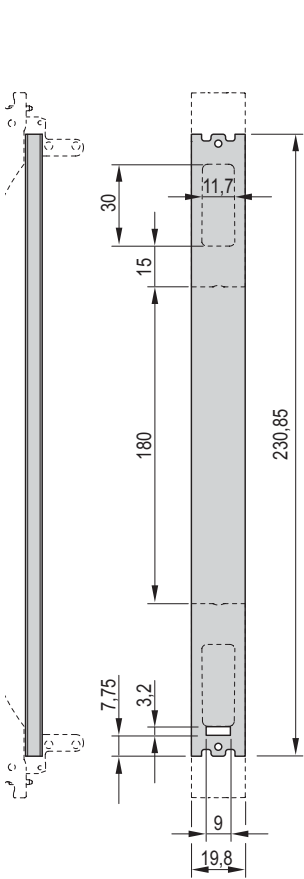
- Please order front panels separately

Plug-in units – for CompactPCI, VME64x,

DIMENSIONS

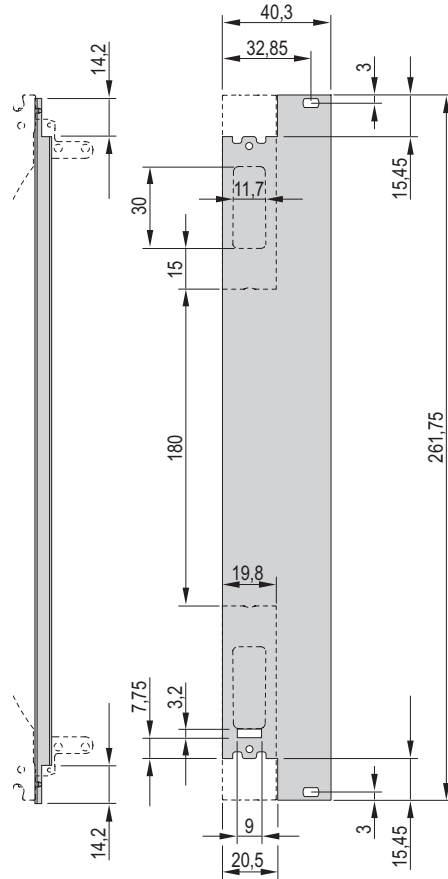
U FRONT PROFILE FOR EXTRACTOR HANDLE TYPE XL, SHIELDABLE

6 U/4 HP



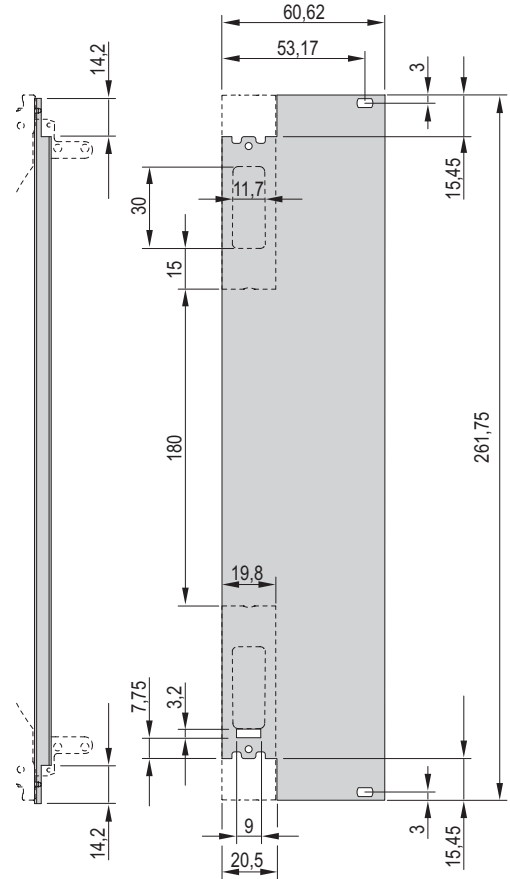
04605053

6 U/8 HP



04605054

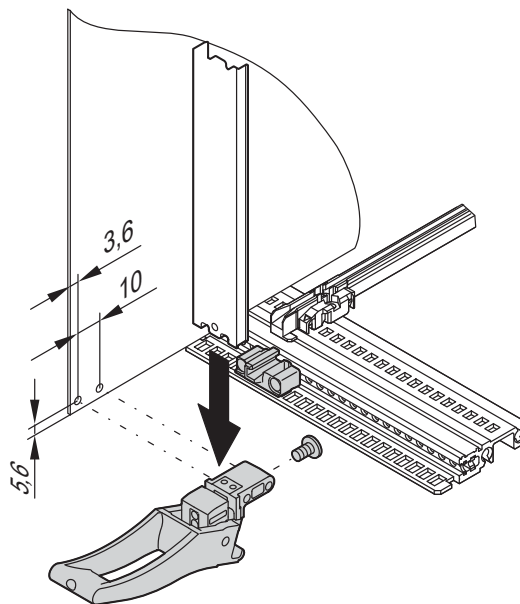
6 U/12 HP



04605055

DIMENSIONS

INSERTER/EXTRACTOR HANDLE, TYPE XL

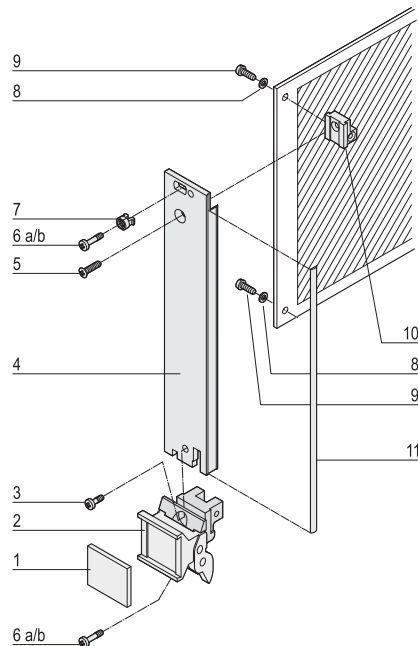


04608113

Plug-in units – for VME

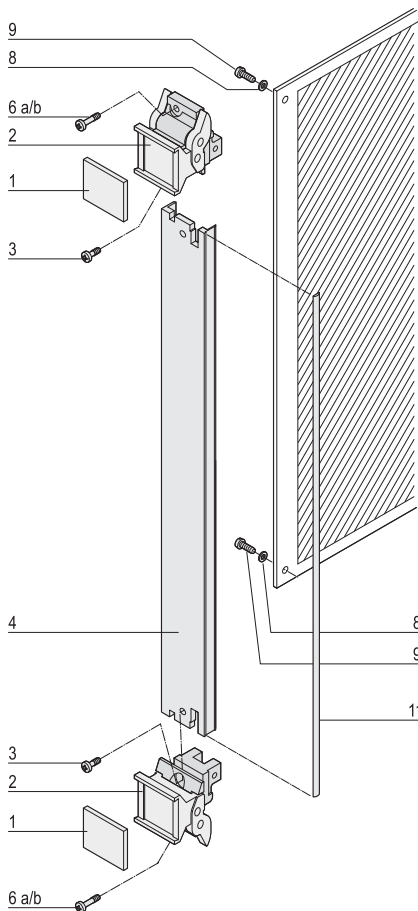
KITS
PLUG-IN UNITS WITH TRAPEZIFORM EXTRACTOR HANDLE, TYPE 2

3 U



04604050

6 U



04604051

- Shielded

DELIVERY COMPRISES (kit)

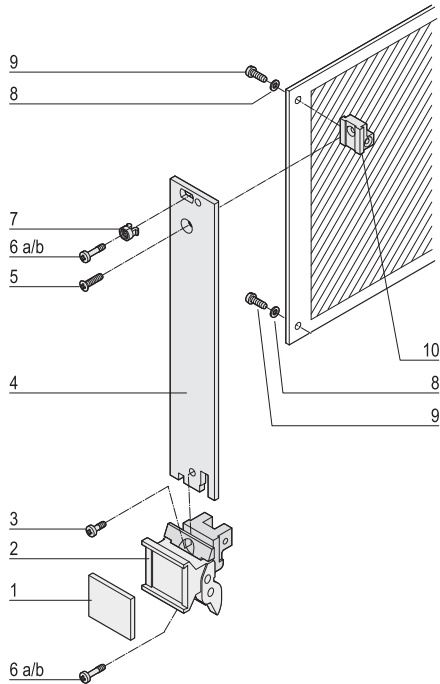
Item	3 U		6 U		Description
	<8HP	≥8HP	<8HP	≥8HP	
1	1	1	2	2	Identification plate, Al, 1.5 mm, anodised, cut edges untreated
2	1	1	2	2	Extractor handle, trapeziform, type 2, lever: PPE, light grey, RAL 7035, block die-cast zinc, nickel-plated, with integrated alignment pin for perforated strip
3	1	1	2	2	Pozidrive flathead screw, St, M2.5 x 6, nickel-plated
4	1	1	1	1	Front panel, U profile, Al, front anodised, rear conductive
5	1	1	–	–	Raised Pozidrive countersunk screw M2.5 x 8, St, nickel-plated
6a	2	4	2	4	Pozidrive collar screw, M2.5 x 12.3, St, nickel-plated,
6b	2	4	2	4	collar screw, Pozidrive/slot, M2.5 x 11, St, nickel-plated,
7	1	3	–	2	Sleeve, PA, grey
8	2	2	2	2	Washer A 2.7, DIN 125
9	2	2	2	2	Panhead screw with Torx/slot, M2.5 x 6, St, zinc-plated, self-locking
10	1	1	–	–	Board support, die-cast zinc
11	1	1	1	1	EMC sealing (textile), core: foam, sleeve: textile cladding, Cu-Ni coated

ORDER INFORMATION

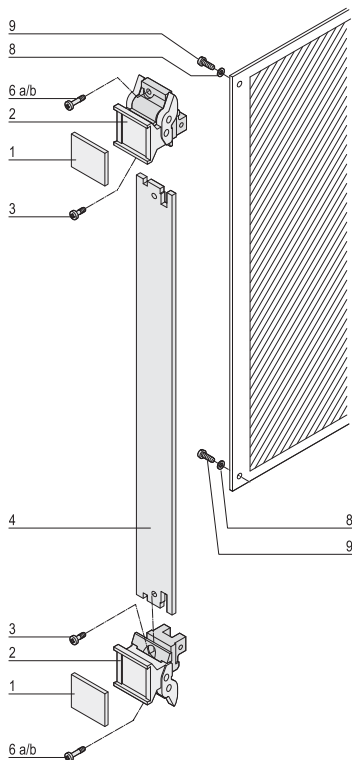
Height	Width	Part no.
U	HP	
3	4	20848-686
3	6	20848-687
3	8	20848-688
3	10	20848-689
3	12	20848-690
6	4	20848-691
6	6	20848-692
6	8	20848-693
6	10	20848-694
6	12	20848-695

- Dimension drawings of front profile see page 7.38
- Description of microswitch see page 7.31

Plug-in units – for VME

KITS
3 U


04604052

6 U


04604053

PLUG-IN UNITS WITH TRAPEZIFORM EXTRACTOR HANDLE, TYPE 2

- Unshielded

DELIVERY COMPRISES (kit)

Item	Qty				Description
	3 U		6 U		
	<8HP	≥8HP	<8HP	8 HP	
1	1	1	2	2	Identification plate, Al, 1.5 mm, anodised, cut edges plain
2	1	1	2	2	Extractor handle, trapeziform, type 2, lever: PPE, light grey, RAL 7035, block: die-cast zinc, nickel-plated
3	1	1	2	2	Flathead screw M2.5 x 6, nickel-plated
4	1	1	1	1	Front panel, Al, 2.5 mm, front: anodised, rear: iridescent green chromated
5	1	1	-	-	Raised Pozidrive countersunk screw, M2.5 x 8, St, nickel-plated
6a	2	4	2	4	Slotted Pozidrive collar screw, M2.5 x 12.3, St, nickel-plated,
6b	2	4	2	4	slotted Pozidrive collar screw, M2.5 x 11, St, nickel-plated
7	1	3	-	2	Sleeve, PA, grey
8	2	2	2	2	Washer A 2.7, DIN 125
9	2	2	2	2	Slotted Torx panhead screw, M2.5 x 6, St, zinc-plated, self-locking
10	1	1	-	-	Board support, die-cast zinc

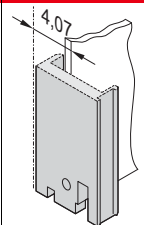
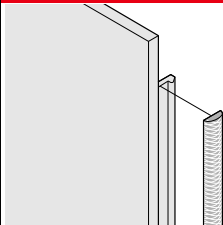
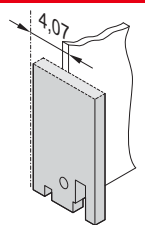
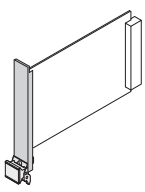
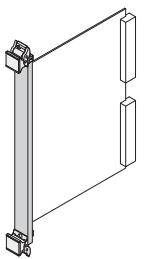
ORDER INFORMATION

Height U	Width HP	Part no.
3	4	20817-860
3	5	20817-861
3	6	20817-862
3	7	20817-863
3	8	20817-864
3	10	20817-865
3	12	20817-866
6	4	20817-867
6	5	20817-868
6	6	20817-869
6	7	20817-870
6	8	20817-871
6	10	20817-872
6	12	20817-873

- Dimension drawing of front profile see page 7.38
- Description of microswitch see page 7.31

Plug-in units – for VME

INDIVIDUAL COMPONENTS
U FRONT PROFILES/FRONT PANELS FOR TRAPEZIFORM EXTRACTOR HANDLE, TYPE 2
ORDER INFORMATION

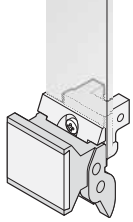
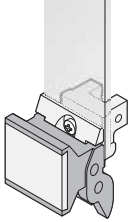
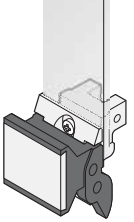
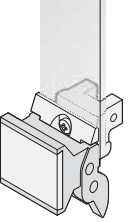
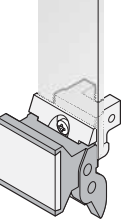
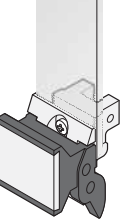
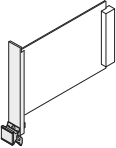
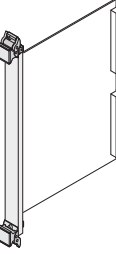
		Front panel, U profile, shieldable	Textile EMC gasket		Front panel, flat, unshielded
		 <p style="text-align: right;">04608060</p> <p>Al extrusion, 2.5 mm, front anodised, rear conductive; alignment pin pressed-in (3 U only), stainless steel; manufacturing process causes various surface structures to appear between 4 to 12 HP and 14 to 16 HP</p>	 <p style="text-align: right;">BGA45760</p> <p>always fixed laterally on the front panel, in the groove of the profile, textile gasket, core: foam, sleeve: textile cladding with CuNi coating, UL 94 V-0, temperature range -40 ... 70 °C</p>		 <p style="text-align: right;">04608063</p> <p>Front panel, Al, 2.5 mm, front anodised, rear iridescent green chromated</p>
Width HP		1 piece (SPQ 5) ¹⁾	PU 10 pieces	PU 100 pieces	1 piece (SPQ 5) ¹⁾
		3 U Height			
 <p style="text-align: right;">04608109</p>	4	30848-312	21101-853	21101-854	30848-327
	5	30848-300			30848-328
	6	30848-313			30848-329
	7	30848-301			30848-330
	8	30848-314			30848-331
	10	30848-315			30848-333
	12	30848-316			30848-335
		6 U Height			
 <p style="text-align: right;">04608107</p>	4	30848-317	21101-855	21101-856	30848-336
	5	30848-304			30848-337
	6	30848-318			30848-338
	7	30848-305			30848-339
	8	30848-319			30848-340
	10	30848-320			30848-342
	12	30848-321			30848-344
Dimensions see page		7.38			7.36

1) SPQ (standard pack quantity): Part number includes 1 piece, but delivery is exclusively made in standard pack quantity (SPQ); please order at least the SPQ quantity or a multiple

Part no. includes one packing unit (PU); delivery is exclusively made in PU

Plug-in units – for VME

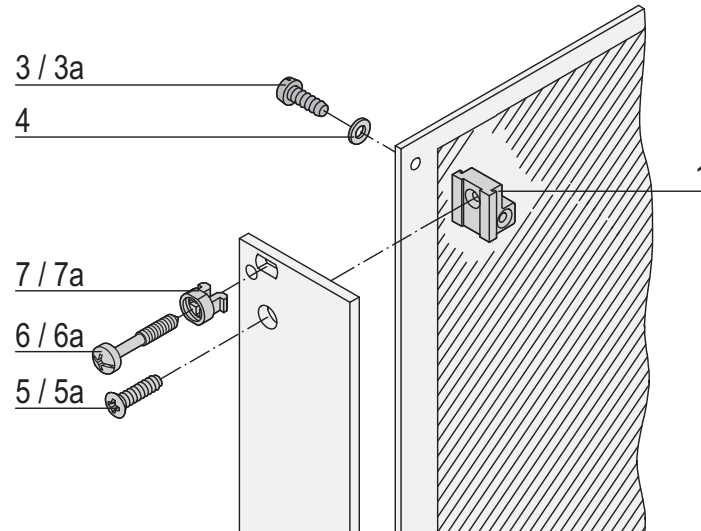
INDIVIDUAL COMPONENTS
EXTRACTOR HANDLE, TRAPEZIFORM, TYPE 2
ORDER INFORMATION

	Trapeziform extractor handle, type 2 without alignment pin			Trapeziform extractor handle, type 2 with alignment pin		
	lever, light grey, RAL 7035	lever, dark grey, RAL 7032	lever, black, RAL 9005	lever, light grey, RAL 7035	lever, dark grey, RAL 7032	lever, black, RAL 9005
						
	Extractor handle, PPE; block, die-cast zinc, zinc-plated; identification plate, Al, 1.5 mm, anodised, cut edges plain; Pozidrive flat-head screw, M2.5 x 6, nickel-plated; slotted Pozidrive collar screw, M2.5 x 12.3, St, nickel-plated; slotted Pozidrive collar screw, M2.5 x 11, St, nickel-plated,			Extractor handle, PPE; block, die-cast zinc, zinc-plated; identification plate, Al, 1.5 mm, anodised, cut edges plain; Pozidrive flat-head screw, M2.5 x 6, nickel-plated; slotted Pozidrive collar screw, M2.5 x 12.3, St, nickel-plated; slotted Pozidrive collar screw, M2.5 x 11, St, nickel-plated,		
Width HP	1 piece (SPQ 10) ¹⁾	1 piece (SPQ 10) ¹⁾	1 piece (SPQ 10) ¹⁾	1 piece (SPQ 10) ¹⁾	1 piece (SPQ 10) ¹⁾	1 piece (SPQ 10) ¹⁾
	3 U Height bottom					
	20817-858	20817-854	20817-856	20817-833	20817-829	20817-831
	6 U Height top					
	20817-858	20817-854	20817-856	20817-833	20817-829	20817-831
	bottom					
	20817-858	20817-854	20817-856	20817-833	20817-829	20817-831
Dimensions see page	7.39			7.39		

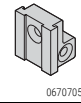
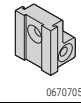

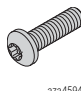

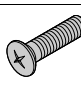
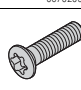
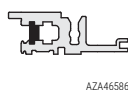
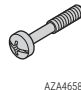
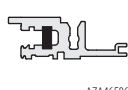
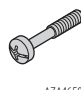
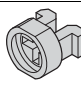
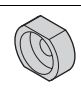
1) SPQ (standard pack quantity): Part number includes 1 piece, but delivery is exclusively made in standard pack quantity (SPQ); please order at least the SPQ quantity or a multiple

Part no. includes one packing unit (PU); delivery is exclusively made in PU

Plug-in units – for VME

INDIVIDUAL COMPONENTS
FIXING MATERIAL FOR TRAPEZIFORM EXTRACTOR HANDLE, TYPE 2
ORDER INFORMATION


bga46045

Fixing material	Item		Required quantity				Qty/PU	Part no.	
			3 U		6 U				
			< 8 HP	≥ 8 HP	< 8 HP	≥ 8 HP			
Printed board bracket Zn die-cast	1	 06707050	1	1	–	–	1 Stück (LLG 10) ¹⁾	60807-181	
Pozidrive panhead screw M2.5 × 6, St, nickel-plated	3	 AZA45177	2	2	2	2	100	21101-219	
Slotted panhead screw with Torx 8 M2.5 × 6, St, zinc-plated Self-securing thread	3a	 aza45940	2	2	2	2	100	24560-159	
Washer 2.7, St, nickel-plated	4	 AZA46586	2	2	2	2	100	21100-721	
Raised Pozidrive countersunk panhead screw M2.5 × 8, St, nickel-plated	5	 06702056	1	1	–	–	100	21100-429	
Raised countersunk panhead screw with Torx 8 M2.5 × 8, St, nickel-plated	5a	 06708050	1	1	–	–	100	24560-164	
Slotted Pozidrive collar screw M2.5 × 11, St, nickel-plated	6	 AZA46586	 AZA46586	1	3	–	2	100	21100-748
Slotted Pozidrive collar screw M2.5 × 12.3, St, nickel-plated	6a	 AZA46586	 AZA46586	1	3	–	2	100	21101-101
Plastic sleeve, for form hole 5.9 x 3.3 PA, UL 90 V-2, grey	7	 aza45933	1	3	–	2	100	21100-464	
Metal sleeve, for form hole 5.9 x 3.3, press-in Stainless steel	7a	 aza45934	1	3	–	2	100	21100-662	

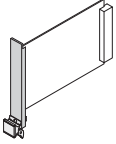
1) SPQ (standard pack quantity): Part number includes 1 piece, but delivery is exclusively made in standard pack quantity (SPQ); please order at least the SPQ quantity or a multiple

Part number in bold face type: ready for despatch within 2 working days
Part number in normal type: ready for despatch within 10 working days

Plug-in units – for VME

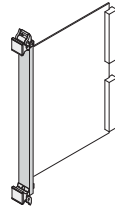
DIMENSIONS FRONT PANELS, U PROFILES, FOR TRAPEZIFORM EXTRACTOR HANDLES, TYPE 2

3 U

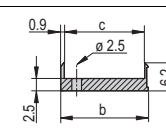
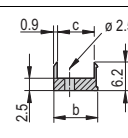
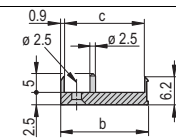
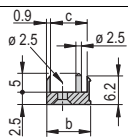
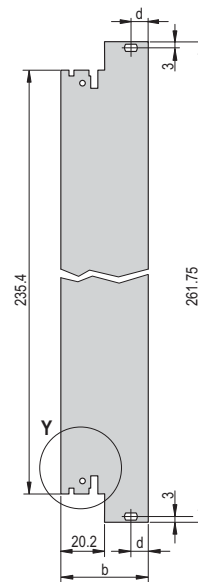
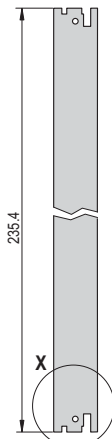
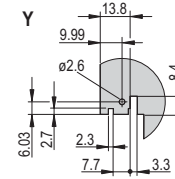
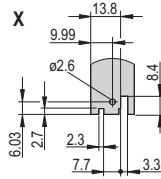
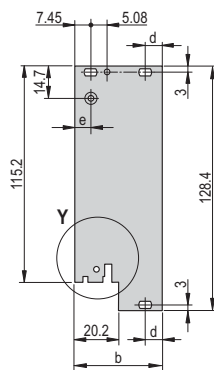
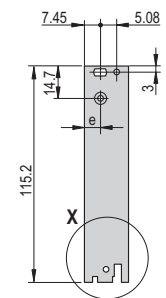
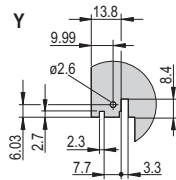
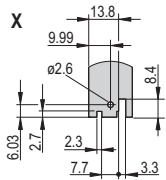


04608109

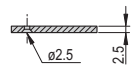
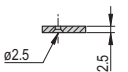
6 U



04608107



shieldable



unshielded

4 HP

≥5 HP

04608064 04608077

4 HP

≥5 HP

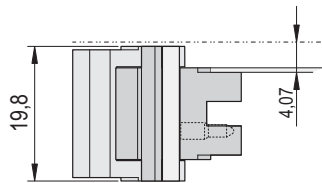
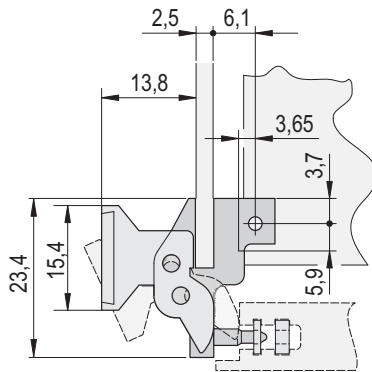
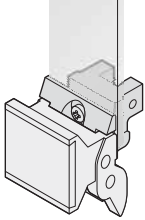
04608065 04608078

Dimensions table			
Width	b	c	d
HP	mm	mm	mm
4	19.98	17.45	–
5	25.06	22.53	–
6	30.14	27.61	–
7	35.22	32.69	–
8	40.30	37.77	7.45
9	45.38	42.85	7.45
10	50.46	47.93	7.45
11	55.54	53.01	7.45
12	60.62	58.09	7.45
14	70.78	68.25	7.45
16	80.94	78.41	7.45

Plug-in units – for VME

DIMENSION DRAWINGS EXTRACTOR HANDLE, TRAPEZIFORM, TYPE 2

with alignment pin



without alignment pin

