



Chipsmall Limited consists of a professional team with an average of over 10 year of expertise in the distribution of electronic components. Based in Hongkong, we have already established firm and mutual-benefit business relationships with customers from,Europe,America and south Asia,supplying obsolete and hard-to-find components to meet their specific needs.

With the principle of “Quality Parts,Customers Priority,Honest Operation,and Considerate Service”,our business mainly focus on the distribution of electronic components. Line cards we deal with include Microchip,ALPS,ROHM,Xilinx,Pulse,ON,Everlight and Freescale. Main products comprise IC,Modules,Potentiometer,IC Socket,Relay,Connector.Our parts cover such applications as commercial,industrial, and automotives areas.

We are looking forward to setting up business relationship with you and hope to provide you with the best service and solution. Let us make a better world for our industry!



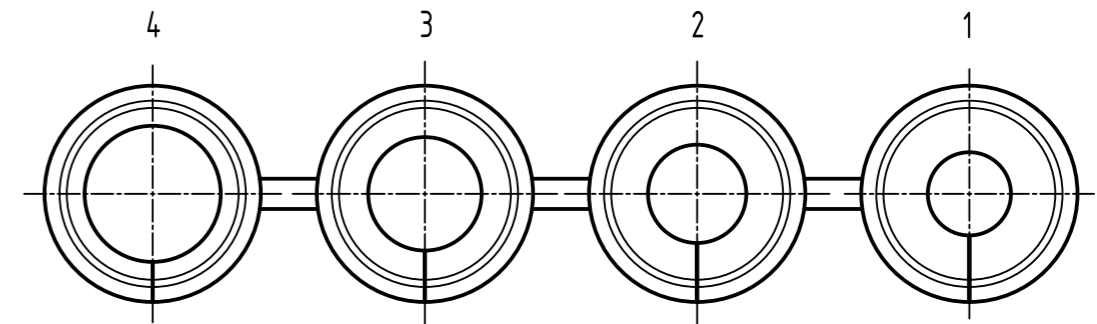
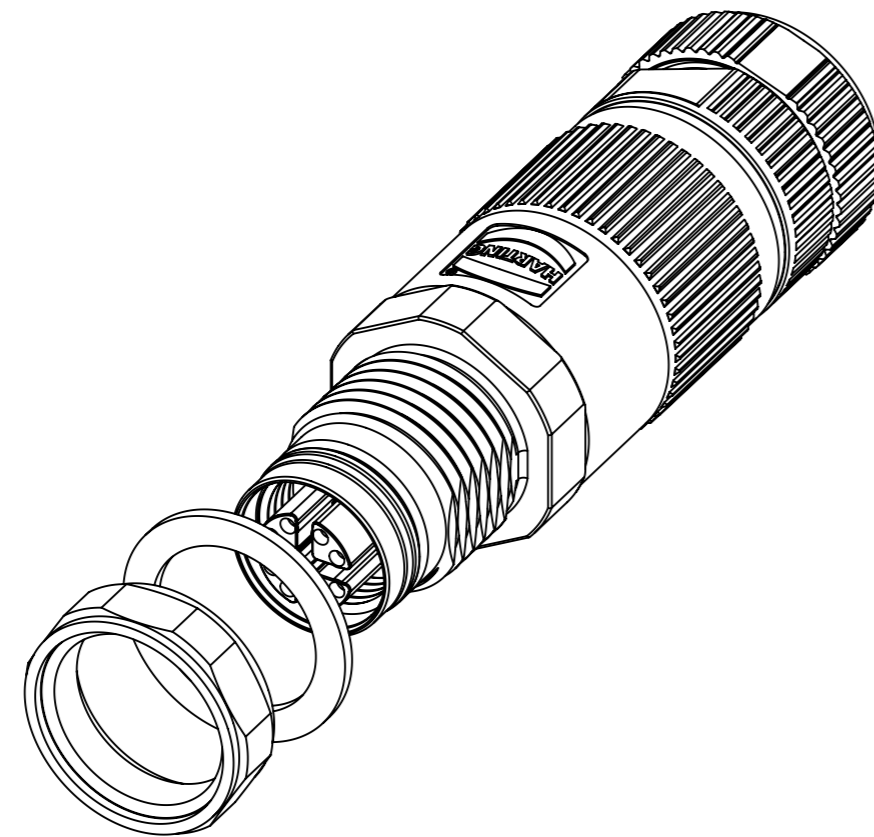
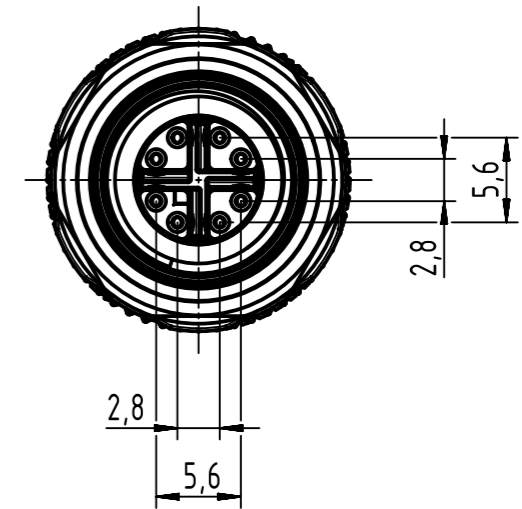
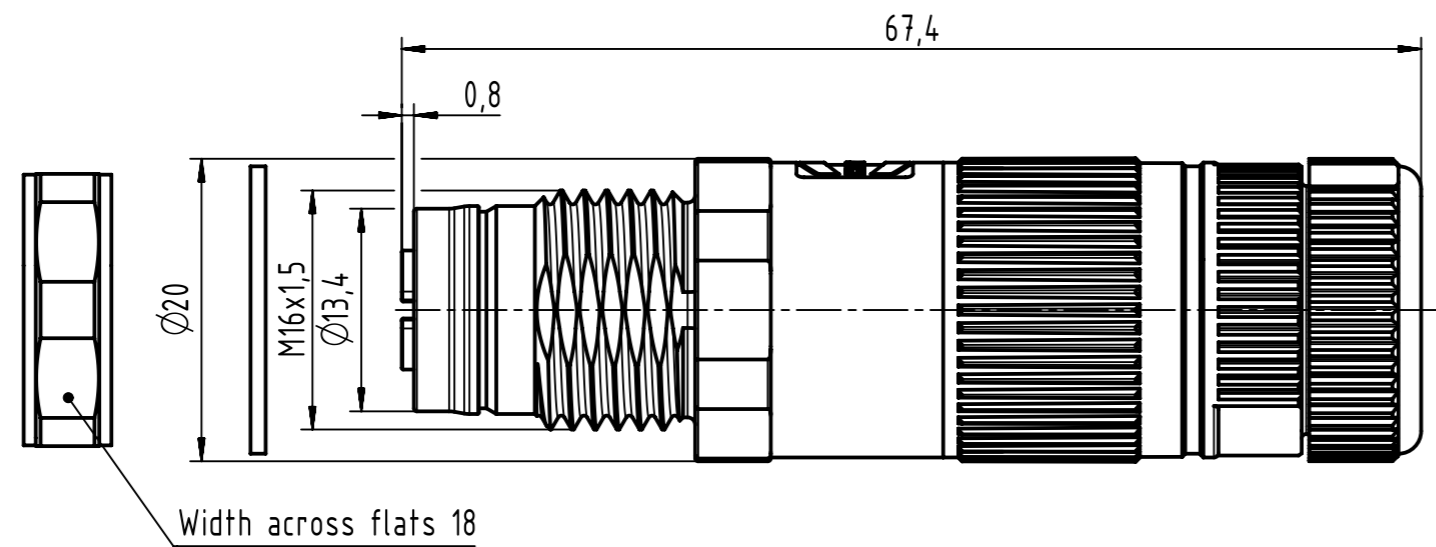
Contact us

Tel: +86-755-8981 8866 Fax: +86-755-8427 6832

Email & Skype: info@chipsmall.com Web: www.chipsmall.com

Address: A1208, Overseas Decoration Building, #122 Zhenhua RD., Futian, Shenzhen, China





Sealing (1) - cable diameter 5.0-6.5 mm
 Sealing (2) - cable diameter 6.0-7.5 mm
 Sealing (3) - cable diameter 7.5-8.5 mm
 Sealing (4) - cable diameter 8.5-9.5 mm

This set includes the shown M12 enclosure parts and the M12 insert.
 Usable preLink termination blocks are:
 - 20 82 000 0001 (8-pole AWG 22/23, yellow)
 - 20 82 000 0003 (8-pole AWG 26/27, transparent)
 - 20 82 000 0005 (XL) (4-pole AWG 22/23, black)
 Depending of the used data cable the copper foil p/n 0945 800 0200 can be useful.

	All rights reserved Department EC PD - RO	All Dimensions in mm Original Size DIN A3		Scale 2:1	Free size tol.	Ref. Sub.
		HARTING Electronics GmbH D-32339 Espelkamp	Created by TAMAS	Inspected by PRIESTER	Standardisation HOFFMANN	Date 2018-01-25
		Title preLink M12 cable jack X-cod. 8-pole				Doc-Key / ECM-Nr. 100726741/UGD/000/B 500000130510
		Type TB	Number 20820062001		Rev. B	Page 1/1