



Chipsmall Limited consists of a professional team with an average of over 10 year of expertise in the distribution of electronic components. Based in Hongkong, we have already established firm and mutual-benefit business relationships with customers from,Europe,America and south Asia,supplying obsolete and hard-to-find components to meet their specific needs.

With the principle of “Quality Parts,Customers Priority,Honest Operation,and Considerate Service”,our business mainly focus on the distribution of electronic components. Line cards we deal with include Microchip,ALPS,ROHM,Xilinx,Pulse,ON,Everlight and Freescale. Main products comprise IC,Modules,Potentiometer,IC Socket,Relay,Connector.Our parts cover such applications as commercial,industrial, and automotives areas.

We are looking forward to setting up business relationship with you and hope to provide you with the best service and solution. Let us make a better world for our industry!



Contact us

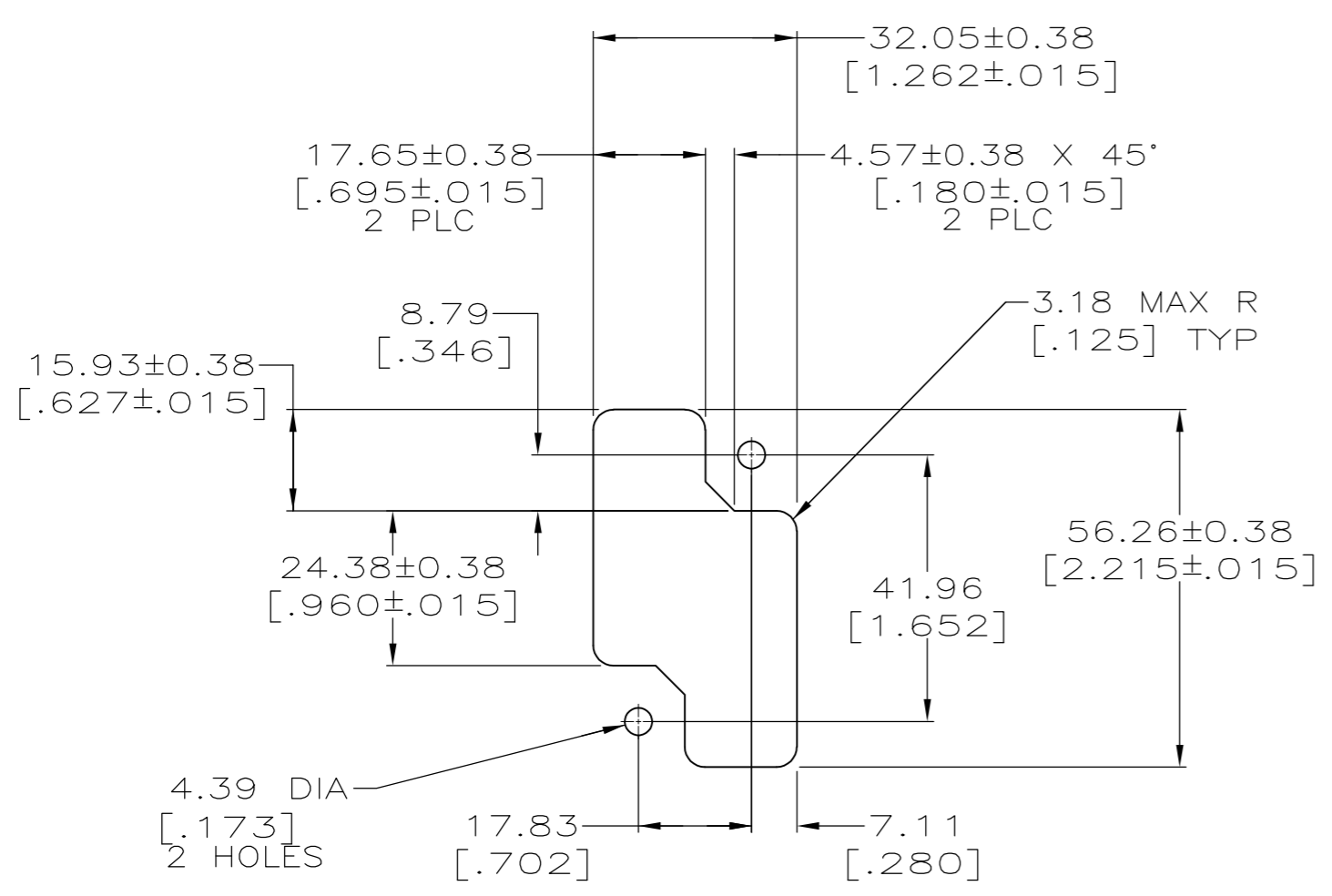
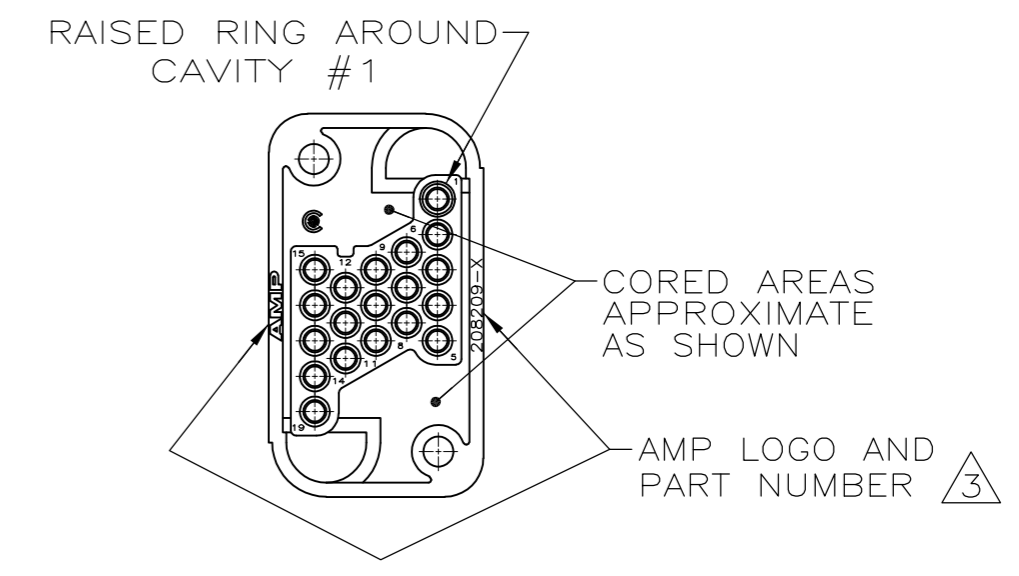
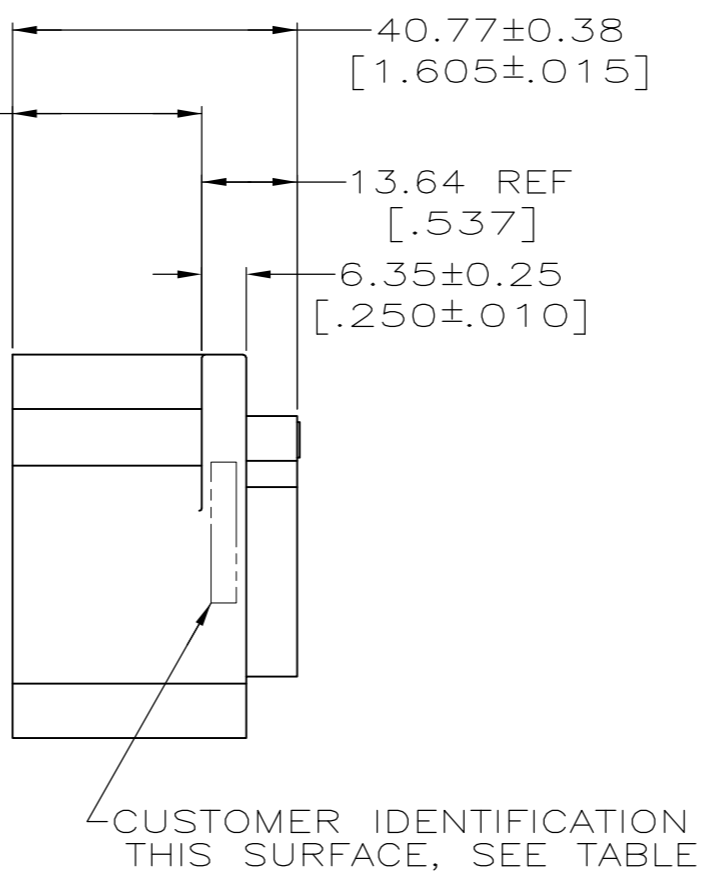
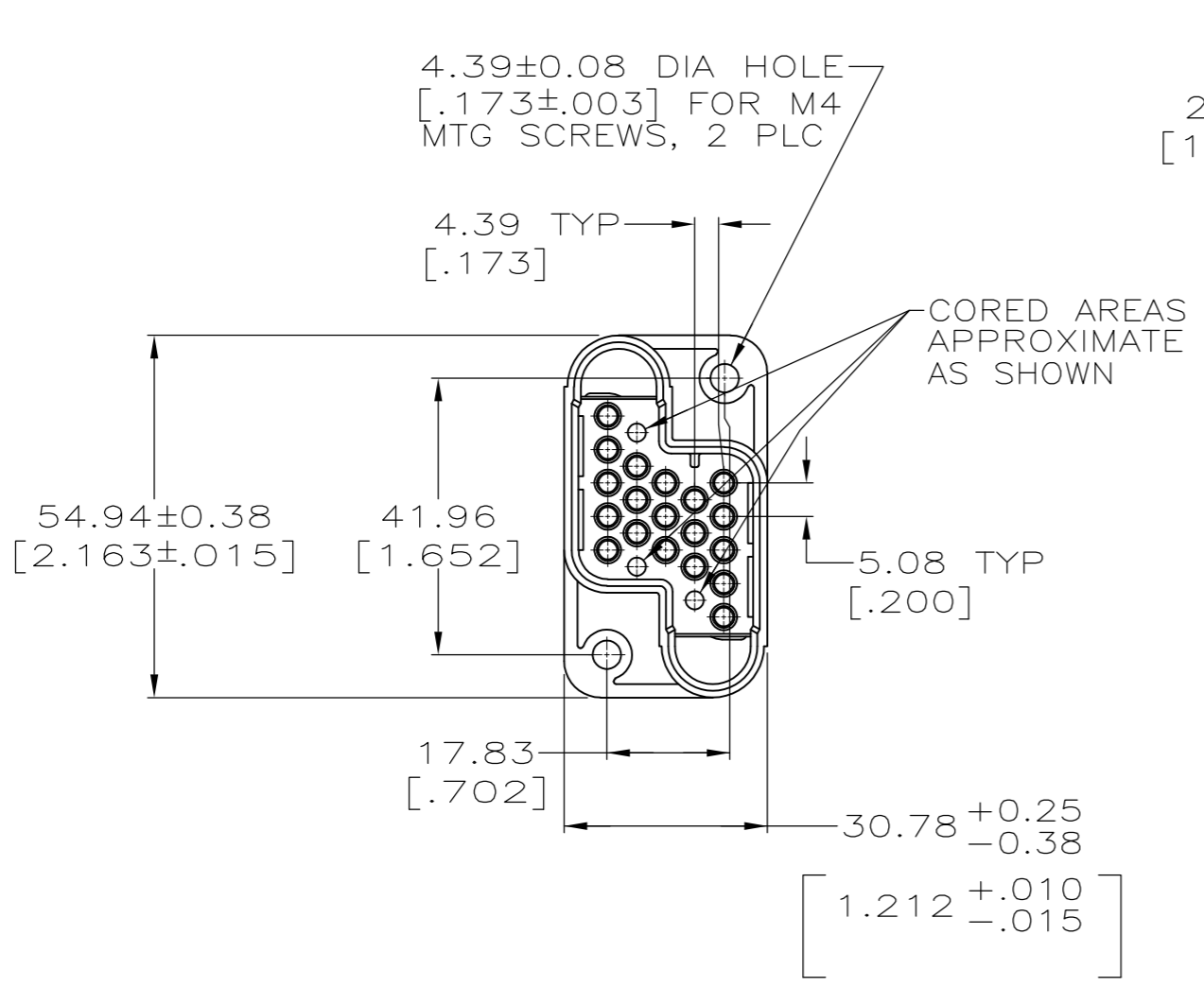
Tel: +86-755-8981 8866 Fax: +86-755-8427 6832

Email & Skype: info@chipsmall.com Web: www.chipsmall.com

Address: A1208, Overseas Decoration Building, #122 Zhenhua RD., Futian, Shenzhen, China



LOC	DIST	REVISIONS			
P	LTR	DESCRIPTION	DATE	OWN	APVD
BD	37	L1 REVISED PER ECO-11-004917	11MAR11	RK	HMR



SUGGESTED
 PANEL CUTOUT

- 208209 MATES WITH 208210.
 - CAVITIES 1 & 19 SHOULD NOT BE USED WITH GROUND PIN.
- $\triangle 3$ ALL DASH NUMBERS WILL HAVE 208209-2 MOLD ON THE HOUSING.

CUST IDENT	MATERIAL	PART NO
-	POLYESTER, BLUE	208209-5
-	POLYESTER, BLACK	208209-2
113P10187	POLYESTER, BLACK	208209-1

THIS DRAWING IS A CONTROLLED DOCUMENT.		DWN R.SHIREY 9-9-91	STE TE Connectivity	
DIMENSIONS: MM[INCHES]		CHK R.STONE 9-23-91		
TOLERANCES UNLESS OTHERWISE SPECIFIED:		APVD A.TRAVIS 9-23-91	NAME PIN HOUSING, 19 POSN, METRIMATE	
0 PLC ± -		PRODUCT SPEC	SIZE CAGE CODE DRAWING NO	
1 PLC ± -		APPLICATION SPEC	RESTRICTED TO	
2 PLC ± ± 0.13 [.005]		114-10039	A2 00779 C-208209	
3 PLC ± ± -		WEIGHT -	SCALE 1:1 SHEET 1 OF 1 REV L1	
4 PLC ± ± ± 1°		CUSTOMER DRAWING		
FINISH -				