



Chipsmall Limited consists of a professional team with an average of over 10 year of expertise in the distribution of electronic components. Based in Hongkong, we have already established firm and mutual-benefit business relationships with customers from,Europe,America and south Asia,supplying obsolete and hard-to-find components to meet their specific needs.

With the principle of “Quality Parts,Customers Priority,Honest Operation,and Considerate Service”,our business mainly focus on the distribution of electronic components. Line cards we deal with include Microchip,ALPS,ROHM,Xilinx,Pulse,ON,Everlight and Freescale. Main products comprise IC,Modules,Potentiometer,IC Socket,Relay,Connector.Our parts cover such applications as commercial,industrial, and automotives areas.

We are looking forward to setting up business relationship with you and hope to provide you with the best service and solution. Let us make a better world for our industry!



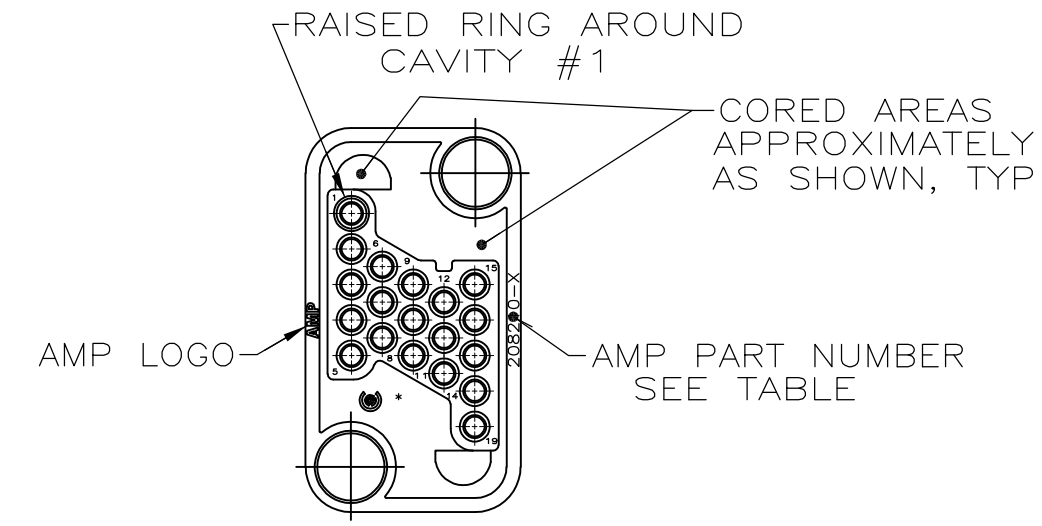
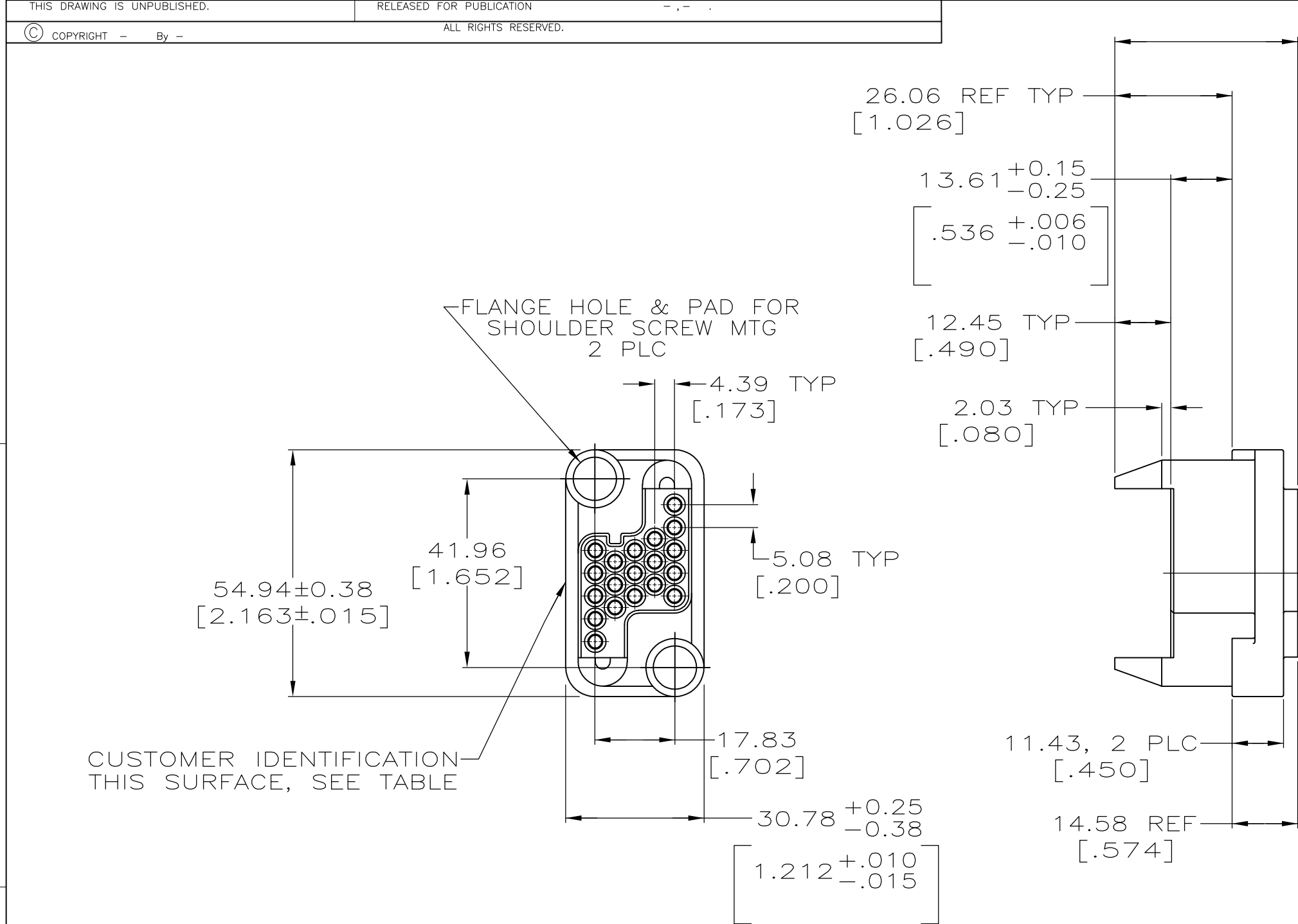
Contact us

Tel: +86-755-8981 8866 Fax: +86-755-8427 6832

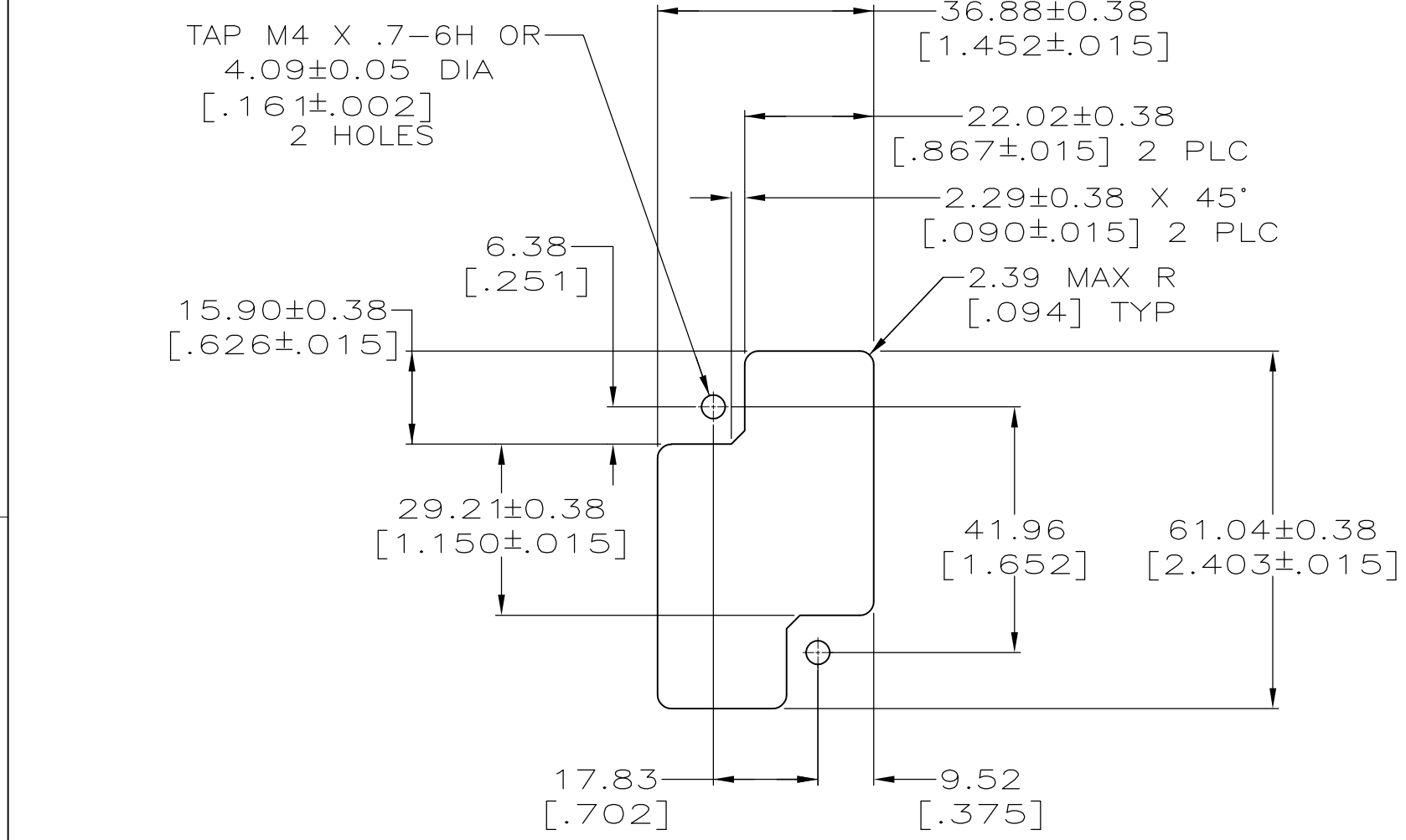
Email & Skype: info@chipsmall.com Web: www.chipsmall.com

Address: A1208, Overseas Decoration Building, #122 Zhenhua RD., Futian, Shenzhen, China





1. 208210 MATES WITH 208209.
2. MOUNTING SCREW INFORMATION SEE 208211.
3. 208210-1 WILL BE MOLDED WITH AMP PART NUMBER 208210-2 SINCE IT IS AN INK STAMPED VERSION OF 208210-2.



SUGGESTED
PANEL CUTOUT

208210-5	-	POLYESTER, BLUE	208210-5
208210-2	-	POLYESTER, BLACK	208210-2
208210-2	3	113P10188	208210-1
MOLDED PART NO	CUST IDENT	MATERIAL	PART NO

THIS DRAWING IS A CONTROLLED DOCUMENT.		DWN R. SHIREY 09/05/91	STE TE Connectivity	
DIMENSIONS: MM[INCHES]		CHK R. STONE 09/23/91		
TOLERANCES UNLESS OTHERWISE SPECIFIED:		APVD A. TRAVIS 09/23/91	NAME	
0 PLC ± -	1 PLC ± -	PRODUCT SPEC	SOCKET HOUSING, 19 POSN, METRIMATE	
2 PLC ± 0.13 [.005]	3 PLC ± -	APPLICATION SPEC	SIZE	CAGE CODE
4 PLC ± -	ANGLES ± 1°	114-10039	A2	00779
MATERIAL SEE TABLE	FINISH -	WEIGHT -	DRAWING NO	RESTRICTED TO
CUSTOMER DRAWING			SCALE 1:1	SHEET 1 of 1