



Chipsmall Limited consists of a professional team with an average of over 10 year of expertise in the distribution of electronic components. Based in Hongkong, we have already established firm and mutual-benefit business relationships with customers from,Europe,America and south Asia,supplying obsolete and hard-to-find components to meet their specific needs.

With the principle of "Quality Parts,Customers Priority,Honest Operation,and Considerate Service",our business mainly focus on the distribution of electronic components. Line cards we deal with include Microchip,ALPS,ROHM,Xilinx,Pulse,ON,Everlight and Freescale. Main products comprise IC,Modules,Potentiometer,IC Socket,Relay,Connector.Our parts cover such applications as commercial,industrial, and automotives areas.

We are looking forward to setting up business relationship with you and hope to provide you with the best service and solution. Let us make a better world for our industry!



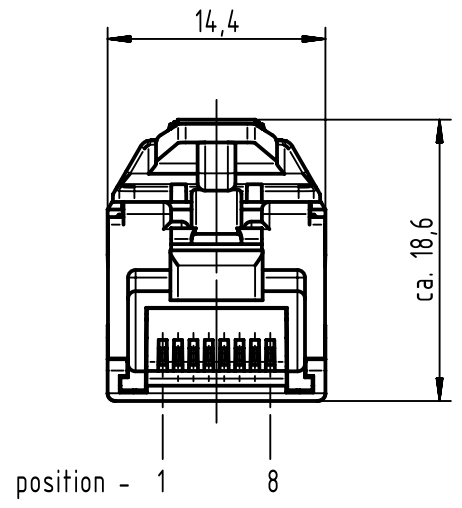
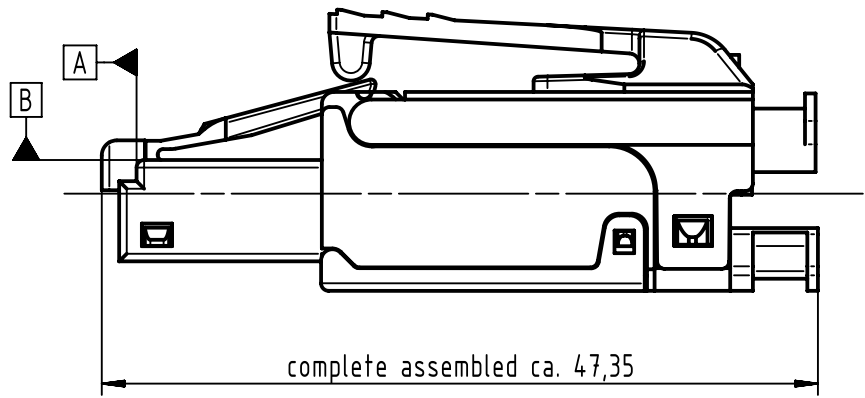
## Contact us

Tel: +86-755-8981 8866 Fax: +86-755-8427 6832

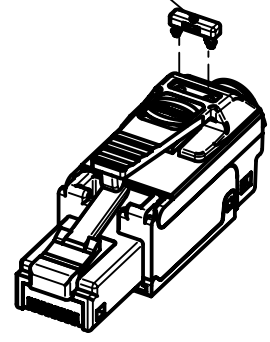
Email & Skype: info@chipsmall.com Web: www.chipsmall.com

Address: A1208, Overseas Decoration Building, #122 Zhenhua RD., Futian, Shenzhen, China





on request: color-clip  
TB 094585000xx  
colour-clip



mating face acc. to IEC 60603-7  
data contact plating: Au 1,27 µm (50µin) over nickel  
cable diameter 5 - 9mm  
cable tie for strain-relief included  
further information see: DS 20820000000

	All Dimensions in mm Original Size DIN A4		Scale 2:1	Free size tol.		Ref.		
						Sub.		
	All rights reserved		Created by ELLERMANN	Inspected by KÖHLER	Standardisation HOFFMANN	Date 2014-09-03	State Final Release	
	Department EC PD - DE		Title Ha-VIS preLink RJ45 plug, IP20 Cat.6A				Doc-Key / ECM-Nr. 100572442/UGD/000/A 500000073811	
HARTING Electronics GmbH D-32339 Espelkamp			Type TB	Number 20821010010			Rev. A	Page 1/1