



Chipsmall Limited consists of a professional team with an average of over 10 year of expertise in the distribution of electronic components. Based in Hongkong, we have already established firm and mutual-benefit business relationships with customers from,Europe,America and south Asia,supplying obsolete and hard-to-find components to meet their specific needs.

With the principle of "Quality Parts,Customers Priority,Honest Operation,and Considerate Service",our business mainly focus on the distribution of electronic components. Line cards we deal with include Microchip,ALPS,ROHM,Xilinx,Pulse,ON,Everlight and Freescale. Main products comprise IC,Modules,Potentiometer,IC Socket,Relay,Connector.Our parts cover such applications as commercial,industrial, and automotives areas.

We are looking forward to setting up business relationship with you and hope to provide you with the best service and solution. Let us make a better world for our industry!



Contact us

Tel: +86-755-8981 8866 Fax: +86-755-8427 6832

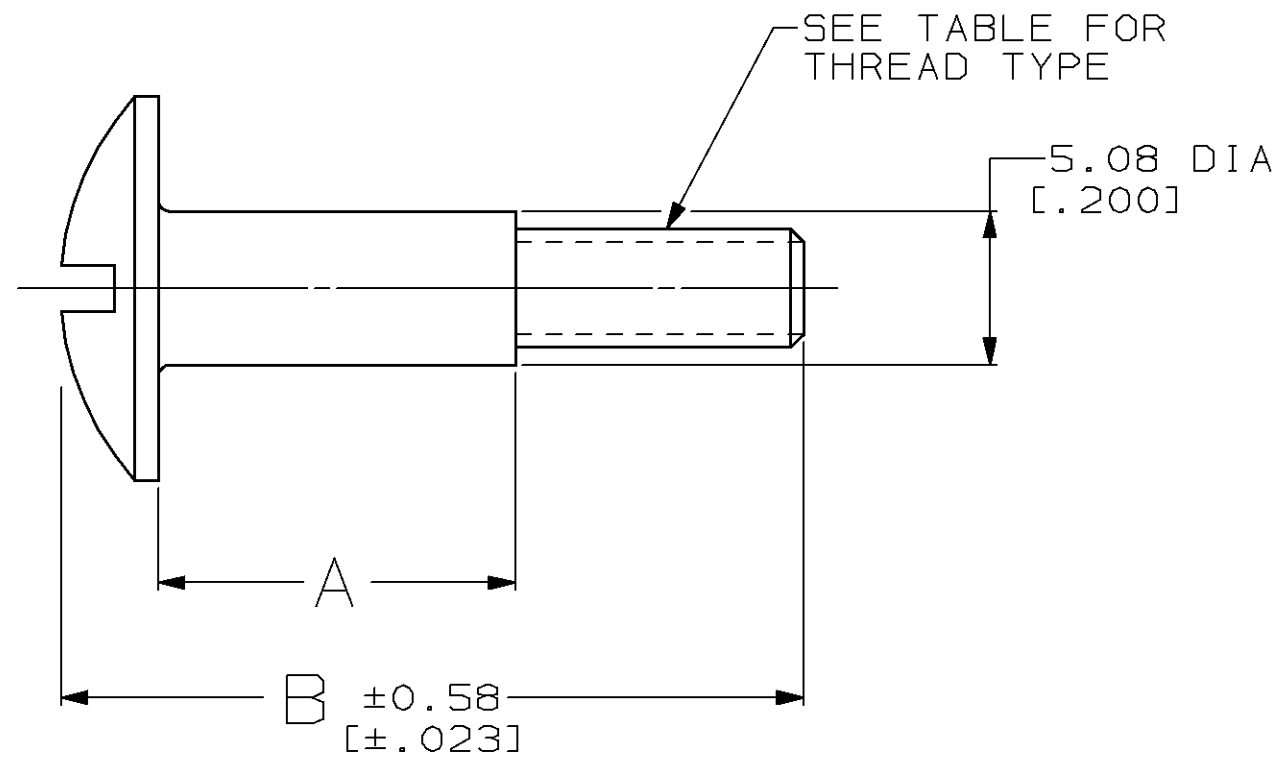
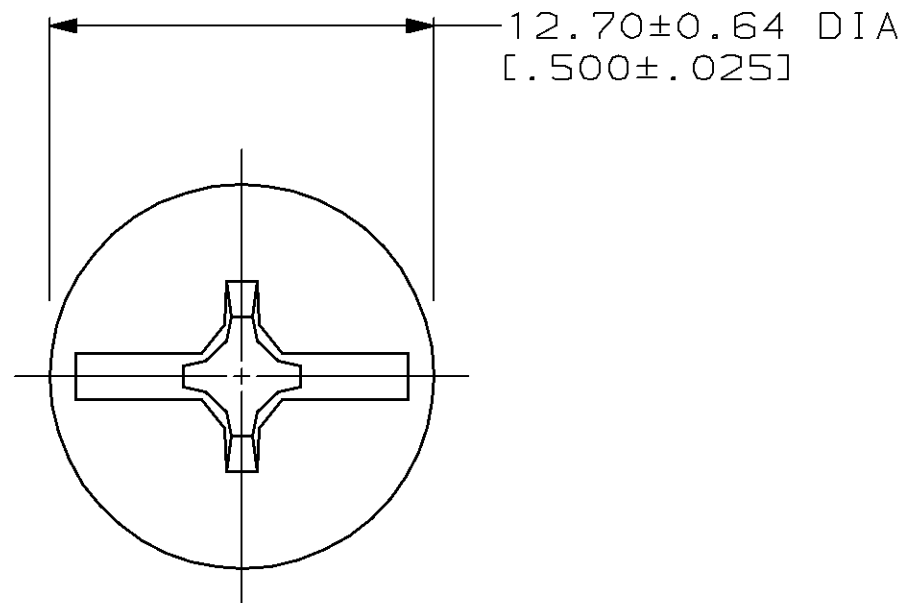
Email & Skype: info@chipsmall.com Web: www.chipsmall.com

Address: A1208, Overseas Decoration Building, #122 Zhenhua RD., Futian, Shenzhen, China



THIS DRAWING IS UNPUBLISHED. RELEASED FOR PUBLICATION, 19 .
 © COPYRIGHT 19 BY AMP INCORPORATED. ALL INTERNATIONAL RIGHTS RESERVED.

| LOC | DIST | P | F | ZONE | LTR | DESCRIPTION | DATE | APPD |
|-----|------|---|---|------|-----|-----------------------------------|-----------|------|
| FT | 13 | | | | L | OBSOLETE -2 PER EC 0020-596-96 | 08 JAN 97 | MM |
| | | | | | M | REV PER EC 0320-0364-97 | 27 APR 98 | MM |



| | | | | |
|----------|---------------|--------------|--------------|----------|
| | 34.29 [1.350] | 21.69 [.854] | SAE 6/32 | 208211-6 |
| | 24.54 [.966] | 11.81 [.465] | SAE 6/32 | 208211-4 |
| | 34.29 [1.350] | 21.69 [.854] | M4 x 0.7-6g | 208211-3 |
| OBSOLETE | 34.29 [1.350] | 21.69 [.854] | SELF TAPPING | 208211-2 |
| | 24.54 [.966] | 11.81 [.465] | M4 x 0.7-6g | 208211-1 |

| B | A | THREAD | PART NO |
|-----------------------------------------------------------------------------------------------------------------------------------------|---|----------------------------|----------------------------------------------------------|
| DO NOT SCALE PRINT. UNLESS SPECIFIED DIMENSIONS IN mm [INCHES] TOLERANCES ON: 2 PLC DEC ± 0.13 [.005] 3 PLC DEC ± - ANGLES ± - | | DR 02/24/92 L.SIPE | AMP AMP Incorporated Harrisburg, PA 17105-3608 |
| MATERIAL STAINLESS STEEL | | CHK 3-1-92 J. McCLINTON | |
| FINISH - | | APPD 3-1-92 A. TRAVIS | NAME SCREW, SHOULDER, SPECIAL, METRIMATE |
| | | APPD 3-2-92 C. ROHDE | SIZE B CAGE CODE 00779 DRAWING NO 208211 |
| | | PRODUCT SPEC - | SCALE 4:1 SHEET 1 OF 1 |
| | | APPLICATION SPEC - | |
| | | WEIGHT - | |