



Chipsmall Limited consists of a professional team with an average of over 10 year of expertise in the distribution of electronic components. Based in Hongkong, we have already established firm and mutual-benefit business relationships with customers from,Europe,America and south Asia,supplying obsolete and hard-to-find components to meet their specific needs.

With the principle of “Quality Parts,Customers Priority,Honest Operation,and Considerate Service”,our business mainly focus on the distribution of electronic components. Line cards we deal with include Microchip,ALPS,ROHM,Xilinx,Pulse,ON,Everlight and Freescale. Main products comprise IC,Modules,Potentiometer,IC Socket,Relay,Connector.Our parts cover such applications as commercial,industrial, and automotives areas.

We are looking forward to setting up business relationship with you and hope to provide you with the best service and solution. Let us make a better world for our industry!



## Contact us

Tel: +86-755-8981 8866 Fax: +86-755-8427 6832

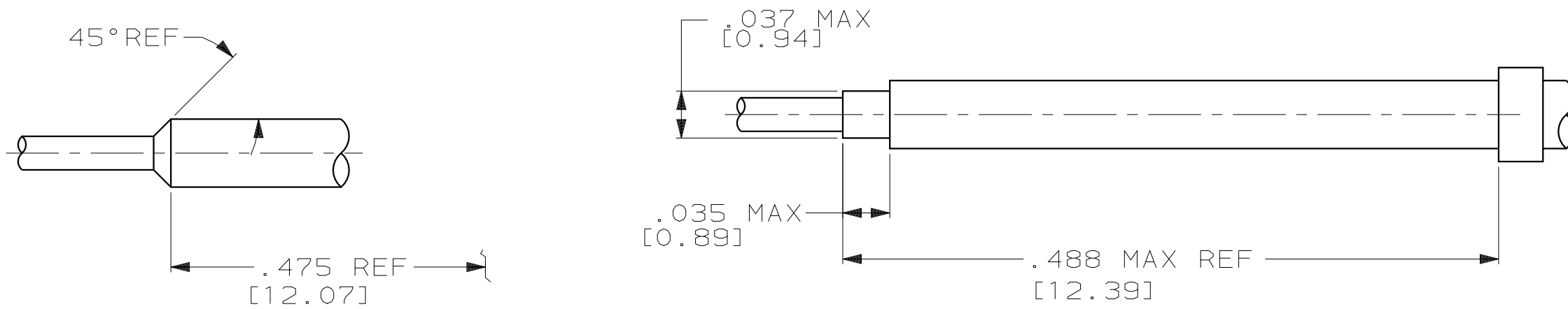
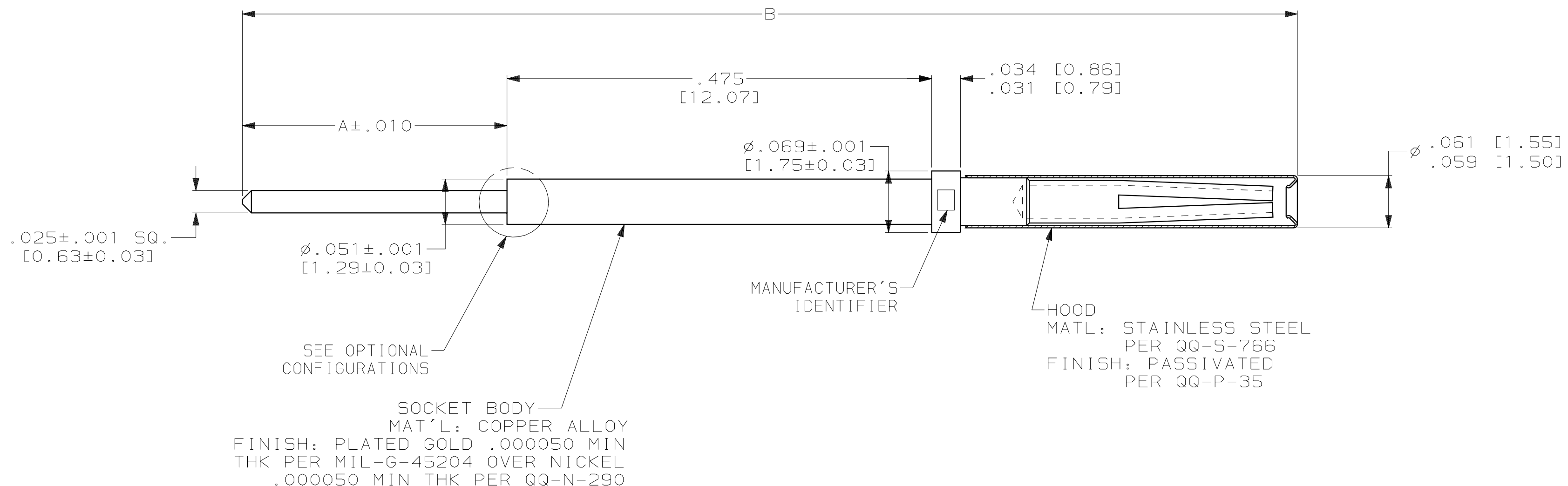
Email & Skype: info@chipsmall.com Web: www.chipsmall.com

Address: A1208, Overseas Decoration Building, #122 Zhenhua RD., Futian, Shenzhen, China



THIS DRAWING IS UNPUBLISHED. RELEASED FOR PUBLICATION, 19 .  
 © COPYRIGHT 19 BY AMP INCORPORATED. ALL INTERNATIONAL RIGHTS RESERVED.

LOC		DIST		P		F		ZONE		LTR		REVISIONS		DATE	APPD
DF	AO									G		REV PER 0H14-0053-03	CT	4-1-04	SG



1.425 ± .015 [36.20 ± 0.38]	.539 [13.69]	208215-3
1.295 ± .015 [32.89 ± 0.38]	.409 [10.39]	208215-2
1.175 ± .015 [29.85 ± 0.38]	.289 [7.34]	208215-1
B DIM	A DIM	PART NO.

OPTIONAL CONFIGURATIONS

DO NOT SCALE PRINT. UNLESS SPECIFIED DIMENSIONS IN INCHES [mm] TOLERANCES ON:  
 2 PLC DEC ± -  
 3 PLC DEC ± .005 [0.13]  
 ANGLES ± -  
 MATERIAL SEE CALLOUTS  
 FINISH SEE CALLOUTS

DR 5-1-91 C.C. THOMAS  
 CHK 4-22-96 A. SHARPE  
 APPD 4-22-96 A. SHARPE  
 APPD 4-22-96 C.C. THOMAS  
 PRODUCT SPEC -  
 APPLICATION SPEC -  
 WEIGHT -

<b>AMP</b> AMP Incorporated Harrisburg, PA 17105-3608		
NAME ASSY, CONTACT, SOCKET, POSTED, ARINC 600		
SIZE C	CAGE CODE 00779	DRAWING NO 208215
SCALE 10:1	SHEET 1 OF 1	