



Chipsmall Limited consists of a professional team with an average of over 10 year of expertise in the distribution of electronic components. Based in Hongkong, we have already established firm and mutual-benefit business relationships with customers from,Europe,America and south Asia,supplying obsolete and hard-to-find components to meet their specific needs.

With the principle of “Quality Parts,Customers Priority,Honest Operation,and Considerate Service”,our business mainly focus on the distribution of electronic components. Line cards we deal with include Microchip,ALPS,ROHM,Xilinx,Pulse,ON,Everlight and Freescale. Main products comprise IC,Modules,Potentiometer,IC Socket,Relay,Connector.Our parts cover such applications as commercial,industrial, and automotives areas.

We are looking forward to setting up business relationship with you and hope to provide you with the best service and solution. Let us make a better world for our industry!



Contact us

Tel: +86-755-8981 8866 Fax: +86-755-8427 6832

Email & Skype: info@chipsmall.com Web: www.chipsmall.com

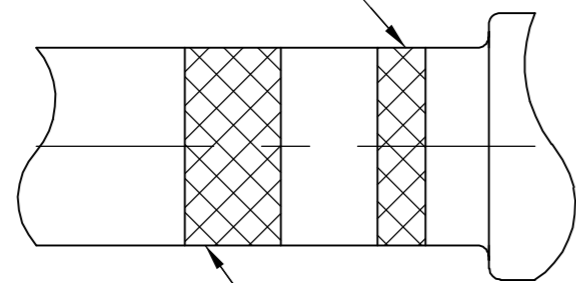
Address: A1208, Overseas Decoration Building, #122 Zhenhua RD., Futian, Shenzhen, China



THIS DRAWING IS UNPUBLISHED. RELEASED FOR PUBLICATION
 © COPYRIGHT BY TYCO ELECTRONICS CORPORATION. ALL RIGHTS RESERVED.

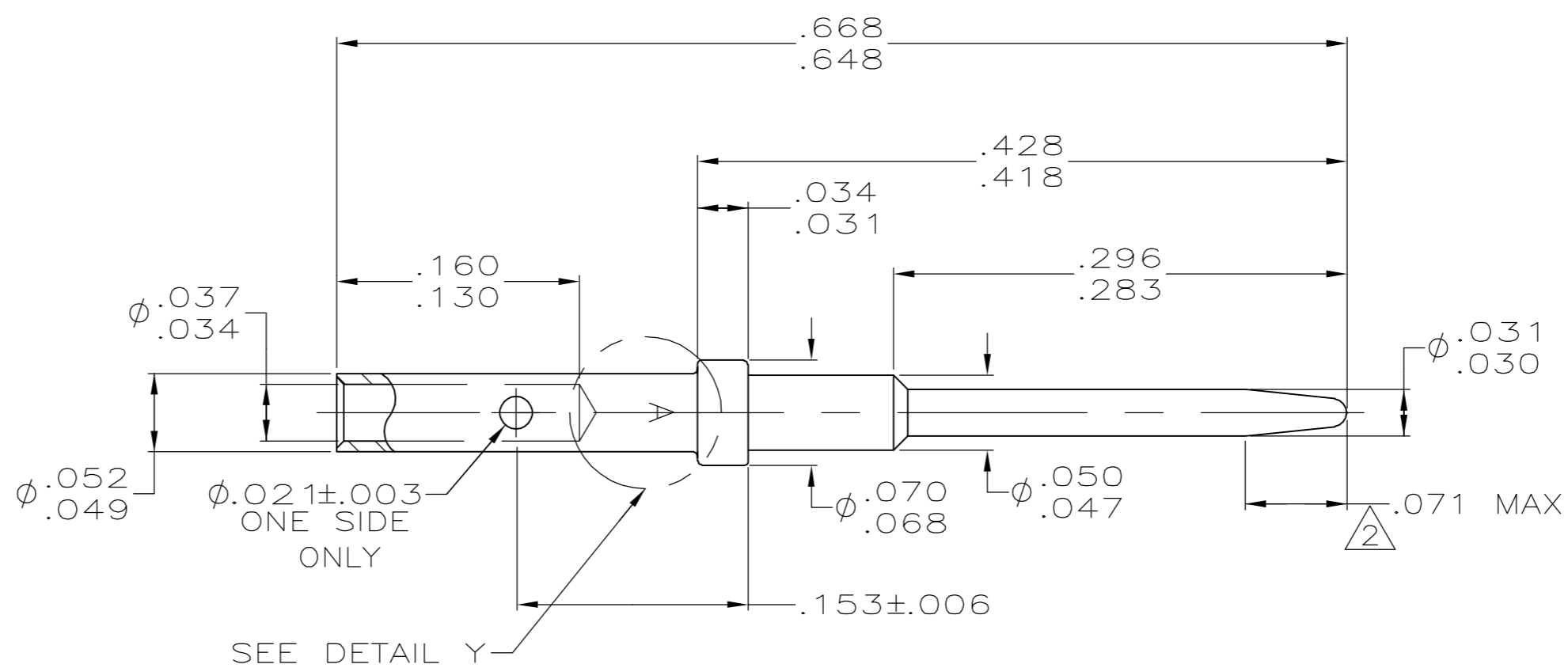
LOC	DIST	REVISIONS					
DF	A0	P	LTR	DESCRIPTION	DATE	DWN	APVD
		H		REV PER EC 0H14-0154-04	23JAN06	TK	CT

ORANGE COLOR CODE



GREEN
COLOR CODE

DETAIL Y
SCALE 20:1
(208262-3 ONLY)



- ① FINISH: PLATED .000050 MIN THK GOLD PER MIL-G-45204 OVER .000050 MIN THK NICKEL PER QQ-N-290.
- ② POINT OF ELECTRICAL ENGAGEMENT.

COLOR CODED	208262-3
AS SHOWN	208262-2
DESCRIPTION	PART NUMBER

THIS DRAWING IS A CONTROLLED DOCUMENT.		DWN	C.C.THOMAS	10/24/00	Tyco Electronics Corporation Harrisburg, PA 17105-3608
DIMENSIONS: INCHES		CHK	S.GLATFELTER	10/24/00	
TOLERANCES UNLESS OTHERWISE SPECIFIED:		APVD	S.GLATFELTER	10/24/00	
0 PLC ± - 1 PLC ± - 2 PLC ± - 3 PLC ± .005 4 PLC ± - ANGLES ± - FINISH		PRODUCT SPEC		NAME	
MATERIAL: COPPER ALLOY		APPLICATION SPEC		PIN CONTACT, SIZE 22, ARINC 600	
FINISH: ①		WEIGHT	-		RESTRICTED TO
CUSTOMER DRAWING		SCALE	10:1	SHEET	1 OF 1
		REV	H		

208262