



Chipsmall Limited consists of a professional team with an average of over 10 year of expertise in the distribution of electronic components. Based in Hongkong, we have already established firm and mutual-benefit business relationships with customers from,Europe,America and south Asia,supplying obsolete and hard-to-find components to meet their specific needs.

With the principle of “Quality Parts,Customers Priority,Honest Operation,and Considerate Service”,our business mainly focus on the distribution of electronic components. Line cards we deal with include Microchip,ALPS,ROHM,Xilinx,Pulse,ON,Everlight and Freescale. Main products comprise IC,Modules,Potentiometer,IC Socket,Relay,Connector.Our parts cover such applications as commercial,industrial, and automotives areas.

We are looking forward to setting up business relationship with you and hope to provide you with the best service and solution. Let us make a better world for our industry!



Contact us

Tel: +86-755-8981 8866 Fax: +86-755-8427 6832

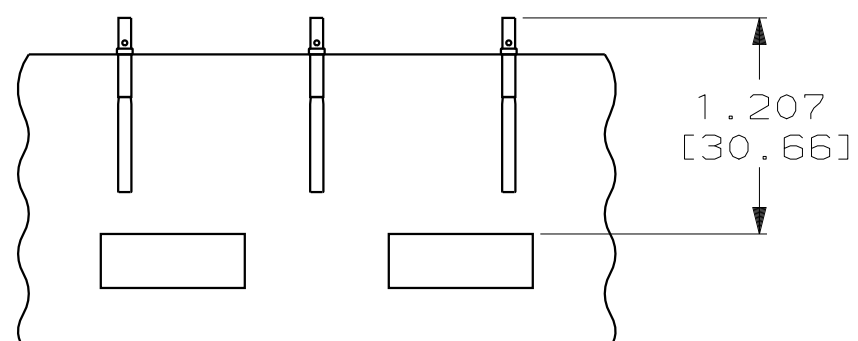
Email & Skype: info@chipsmall.com Web: www.chipsmall.com

Address: A1208, Overseas Decoration Building, #122 Zhenhua RD., Futian, Shenzhen, China

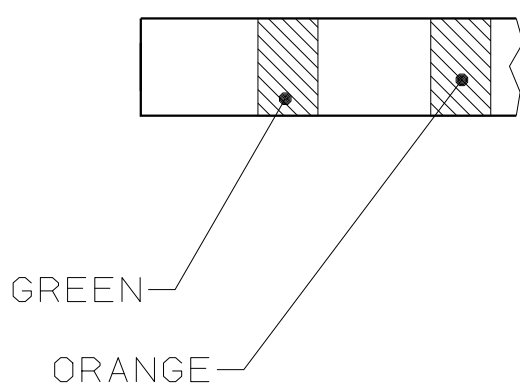


THIS DRAWING IS UNPUBLISHED. RELEASED FOR PUBLICATION ,19 .
 © COPYRIGHT 19 BY AMP INCORPORATED. ALL INTERNATIONAL RIGHTS RESERVED.

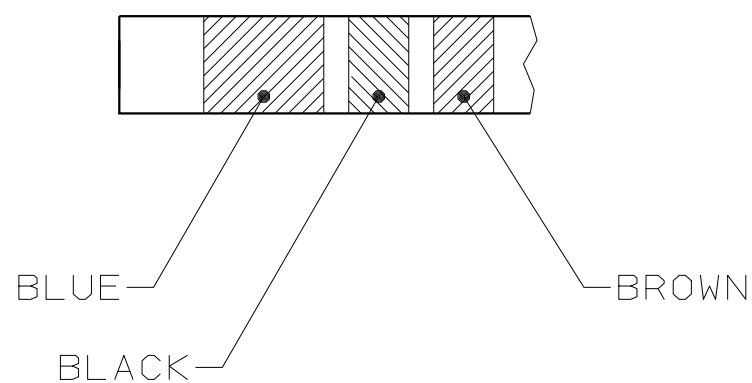
LOC	DIST	P	F	ZONE	LTR	DESCRIPTION	DATE	APPD
DF	AO				K	REV PER OH14-0154-04	CT	12-8-04 SG
					L	REV PER OH14-0271-04	CT	12-8-04 SG



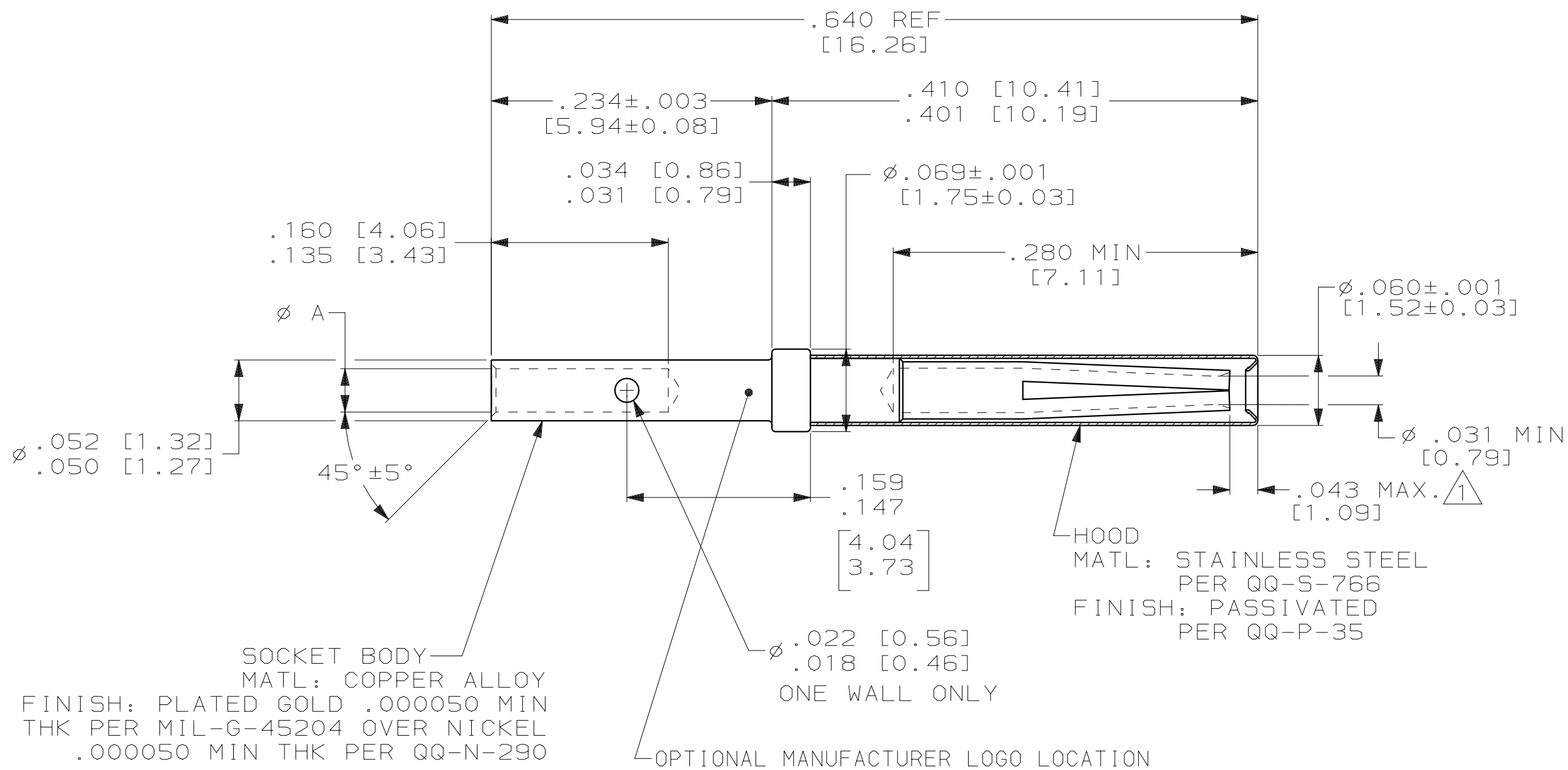
TAPE MOUNTED ASSEMBLY
 SCALE 1:1
 (208264-3 ONLY)
 DETAIL A



COLOR CODE
 (-2 & -3 ONLY)
 DETAIL B



COLOR CODE
 (-4 ONLY)
 DETAIL C



▲ ELECTRICAL ENGAGEMENT.

.023-.025 [0.58-0.64]	-	-	208264-6
.034-.0370 [0.864-0.940]	-	SEE DETAIL C	208264-4
.034-.0370 [0.864-0.940]	SEE DETAIL A	SEE DETAIL B	208264-3
.034-.0370 [0.864-0.940]	-	SEE DETAIL B	208264-2
DIM A	TAPE MOUNTED	COLOR CODE	PART NO.

DO NOT SCALE PRINT. UNLESS SPECIFIED DIMENSIONS IN INCHES [mm] TOLERANCES ON : 2 PLC DEC ± - 3 PLC DEC ± .005 [0.13] ANGLES ± -	DR 5-8-91 C.C.THOMAS	AMP Incorporated Harrisburg, PA 17105-3608		
	CHK 7-25-91 A.SHARPE			NAME
MATERIAL SEE CALLOUTS	APPD 7-25-91 A.SHARPE	ASSY, CONTACT, SOCKET, SIZE 22, ARINC 600		
FINISH SEE CALLOUTS	APPD 7-25-91 C.THOMAS			
	PRODUCT SPEC -	SIZE C	CAGE CODE 00779	DRAWING NO 208264
	APPLICATION SPEC -	SCALE 10:1		SHEET 1 OF 1
	WEIGHT -			

208264

A

C

D

D

C

B

A