



Chipsmall Limited consists of a professional team with an average of over 10 year of expertise in the distribution of electronic components. Based in Hongkong, we have already established firm and mutual-benefit business relationships with customers from,Europe,America and south Asia,supplying obsolete and hard-to-find components to meet their specific needs.

With the principle of “Quality Parts,Customers Priority,Honest Operation,and Considerate Service”,our business mainly focus on the distribution of electronic components. Line cards we deal with include Microchip,ALPS,ROHM,Xilinx,Pulse,ON,Everlight and Freescale. Main products comprise IC,Modules,Potentiometer,IC Socket,Relay,Connector.Our parts cover such applications as commercial,industrial, and automotives areas.

We are looking forward to setting up business relationship with you and hope to provide you with the best service and solution. Let us make a better world for our industry!



Contact us

Tel: +86-755-8981 8866 Fax: +86-755-8427 6832

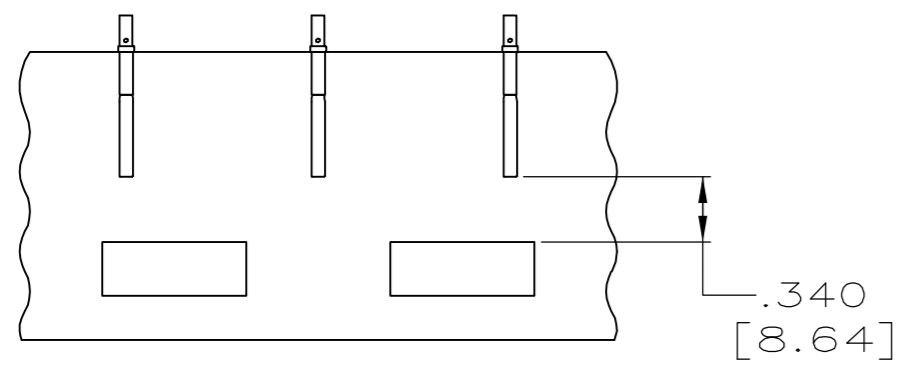
Email & Skype: info@chipsmall.com Web: www.chipsmall.com

Address: A1208, Overseas Decoration Building, #122 Zhenhua RD., Futian, Shenzhen, China



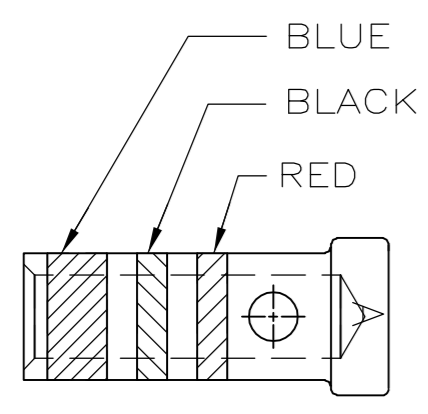
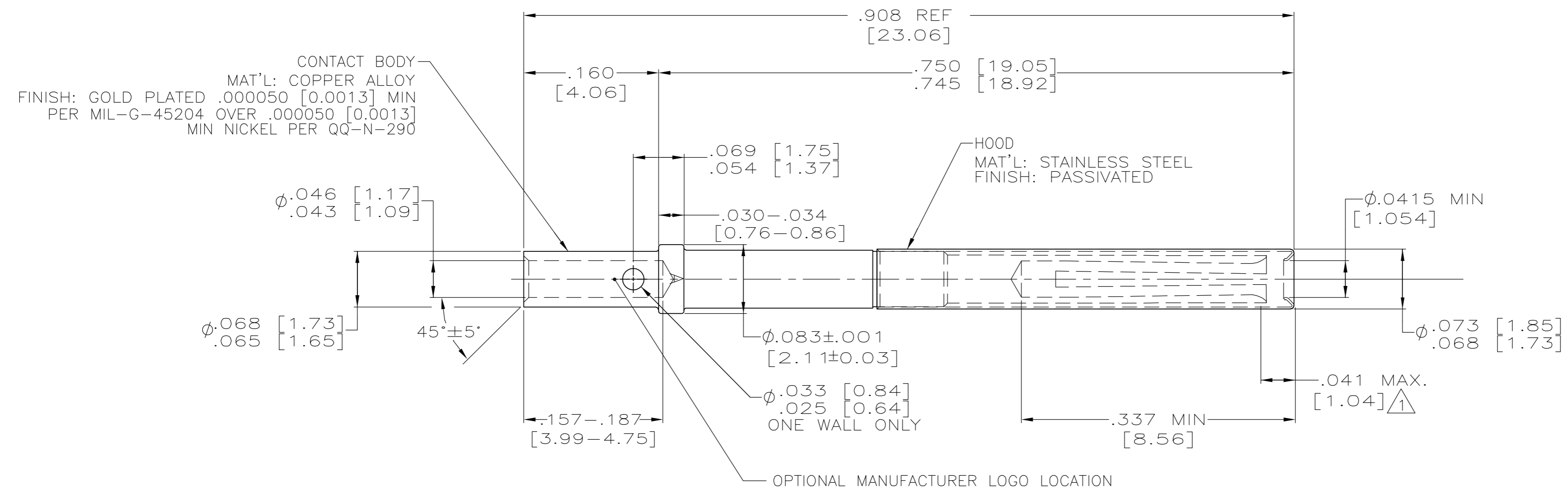
THIS DRAWING IS UNPUBLISHED. RELEASED FOR PUBLICATION
 © COPYRIGHT BY TYCO ELECTRONICS CORPORATION. ALL RIGHTS RESERVED.

LOC	DIST	REVISIONS					
DF	A0	P	LTR	DESCRIPTION	DATE	DWN	APVD
		F		REV PER EC 0H14-0154-04	23JAN06	TK	CT

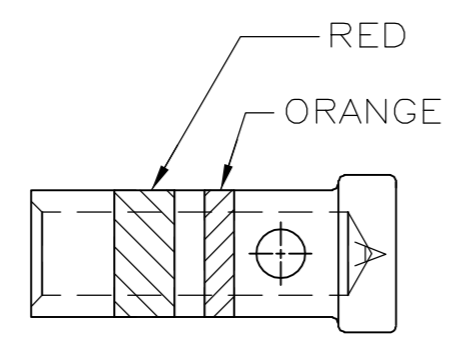


DETAIL A
 SCALE 1:1
 TAPE MOUNTED
 (-3 ONLY)

ELECTRICAL ENGAGEMENT POINT.



DETAIL C
 -4 ONLY



DETAIL B
 -2 & -3 ONLY

SEE DETAIL C	208267-4
SEE DETAIL A & B	208267-3
SEE DETAIL B	208267-2
DESCRIPTION	PART NO.

THIS DRAWING IS A CONTROLLED DOCUMENT.		DWN	C.C.THOMAS	12/21/00	Tyco Electronics Corporation Harrisburg, PA 17105-3608
DIMENSIONS: INCHES		CHK	S.GLATFELTER	1-10-01	
TOLERANCES UNLESS OTHERWISE SPECIFIED:		APVD	S.GLATFELTER	1-10-01	
0 PLC ± - 1 PLC ± - 2 PLC ± - 3 PLC ± .005 [0.13] 4 PLC ± - ANGLES ± -		PRODUCT SPEC		NAME	
MATERIAL: SEE CALLOUTS		FINISH: SEE CALLOUTS		WEIGHT	-
CUSTOMER DRAWING		SCALE	10:1	SHEET	1 of 1
		RESTRICTED TO	-		