



Chipsmall Limited consists of a professional team with an average of over 10 year of expertise in the distribution of electronic components. Based in Hongkong, we have already established firm and mutual-benefit business relationships with customers from,Europe,America and south Asia,supplying obsolete and hard-to-find components to meet their specific needs.

With the principle of “Quality Parts,Customers Priority,Honest Operation,and Considerate Service”,our business mainly focus on the distribution of electronic components. Line cards we deal with include Microchip,ALPS,ROHM,Xilinx,Pulse,ON,Everlight and Freescale. Main products comprise IC,Modules,Potentiometer,IC Socket,Relay,Connector.Our parts cover such applications as commercial,industrial, and automotives areas.

We are looking forward to setting up business relationship with you and hope to provide you with the best service and solution. Let us make a better world for our industry!



Contact us

Tel: +86-755-8981 8866 Fax: +86-755-8427 6832

Email & Skype: info@chipsmall.com Web: www.chipsmall.com

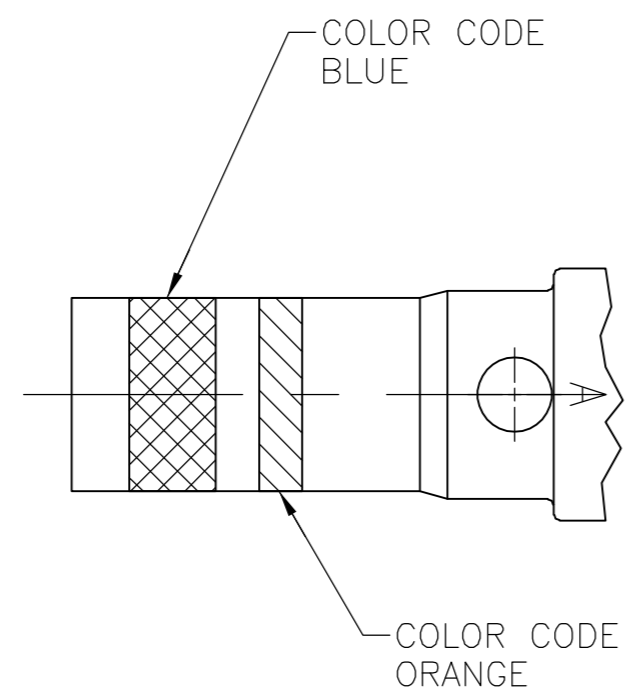
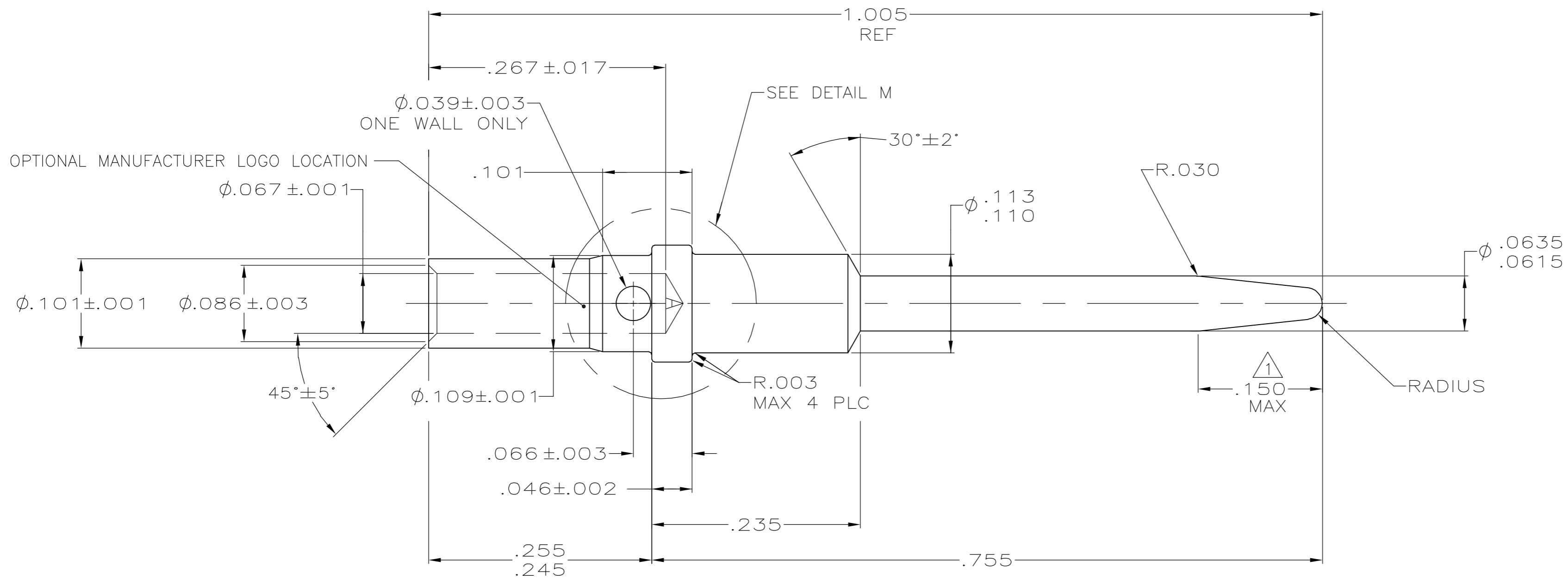
Address: A1208, Overseas Decoration Building, #122 Zhenhua RD., Futian, Shenzhen, China



THIS DRAWING IS UNPUBLISHED. RELEASED FOR PUBLICATION
 © COPYRIGHT BY TYCO ELECTRONICS CORPORATION. ALL RIGHTS RESERVED.

LOC		DIST		REVISIONS			
P	LTR	DESCRIPTION	DATE	DWN	APVD		
DF	A0	F	REV PER EC 0H14-0154-04	24JAN06	TK	CT	

- ① ELECTRICAL ENGAGEMENT POINT
- ② AS SHOWN
- ③ SAME AS -2 EXCEPT:
COLOR CODE PER DETAIL Z



DETAIL Z
(APPLIES TO -3 ONLY)

③	208268-5
②	208268-3
②	208268-2
DESCRIPTION	PART NUMBER

THIS DRAWING IS A CONTROLLED DOCUMENT.		DWN C.C.THOMAS 8-20-04	Tyco Electronics Corporation Harrisburg, PA 17105-3608	
DIMENSIONS: INCHES		CHK S.GLATFELTER 8-20-04		
TOLERANCES UNLESS OTHERWISE SPECIFIED:		APVD S.GLATFELTER 8-20-04	NAME	
0 PLC ± -		PRODUCT SPEC	PIN CONTACT, SIZE 16	
1 PLC ± -		APPLICATION SPEC	ARINC 600 TYPE	
2 PLC ± -		WEIGHT -	SIZE A2	CAGE CODE 00779
3 PLC ± .005 [0.13]		FINISH GOLD PER ASTM-B-488 OVER NICKEL PER QQ-N-290	DRAWING NO C=208268	RESTRICTED TO -
4 PLC ± -			CUSTOMER DRAWING	SCALE 10:1
ANGLES ± -		REV F		