



Chipsmall Limited consists of a professional team with an average of over 10 year of expertise in the distribution of electronic components. Based in Hongkong, we have already established firm and mutual-benefit business relationships with customers from,Europe,America and south Asia,supplying obsolete and hard-to-find components to meet their specific needs.

With the principle of “Quality Parts,Customers Priority,Honest Operation,and Considerate Service”,our business mainly focus on the distribution of electronic components. Line cards we deal with include Microchip,ALPS,ROHM,Xilinx,Pulse,ON,Everlight and Freescale. Main products comprise IC,Modules,Potentiometer,IC Socket,Relay,Connector.Our parts cover such applications as commercial,industrial, and automotives areas.

We are looking forward to setting up business relationship with you and hope to provide you with the best service and solution. Let us make a better world for our industry!



Contact us

Tel: +86-755-8981 8866 Fax: +86-755-8427 6832

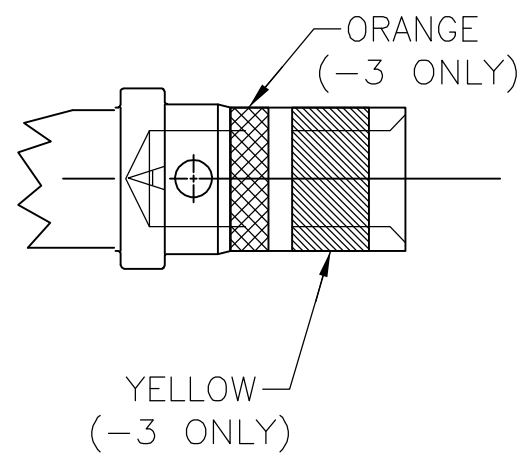
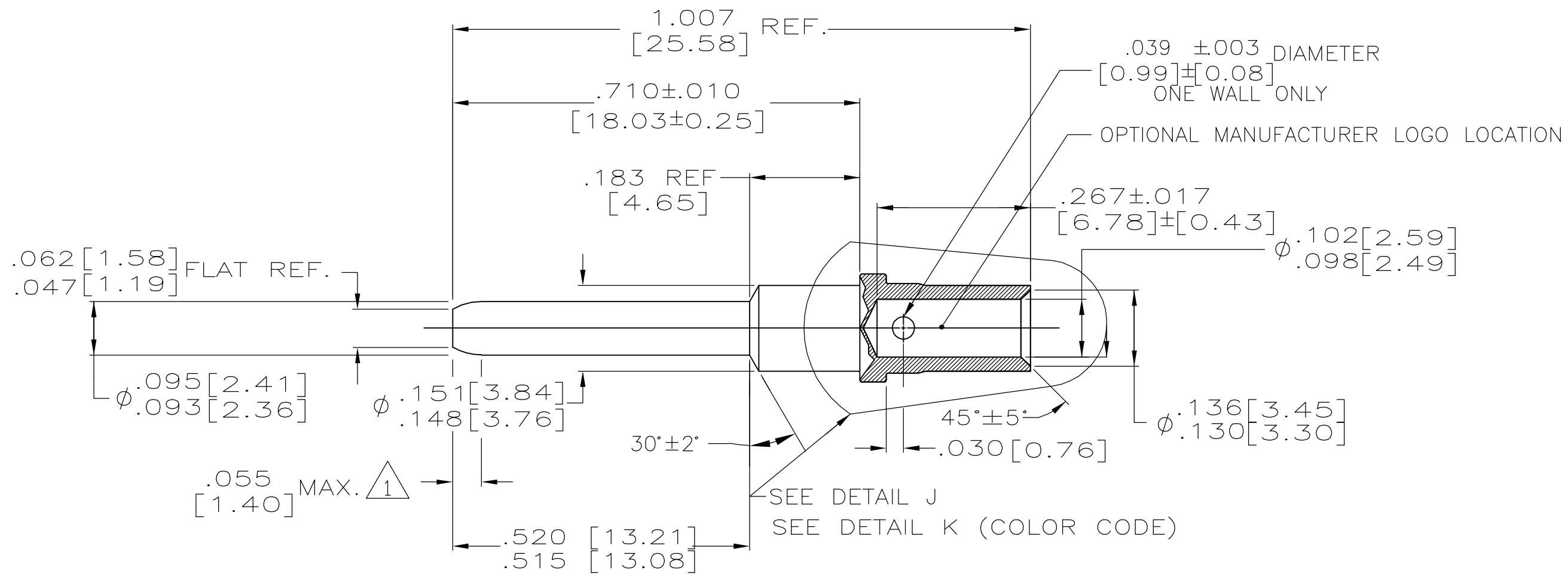
Email & Skype: info@chipsmall.com Web: www.chipsmall.com

Address: A1208, Overseas Decoration Building, #122 Zhenhua RD., Futian, Shenzhen, China

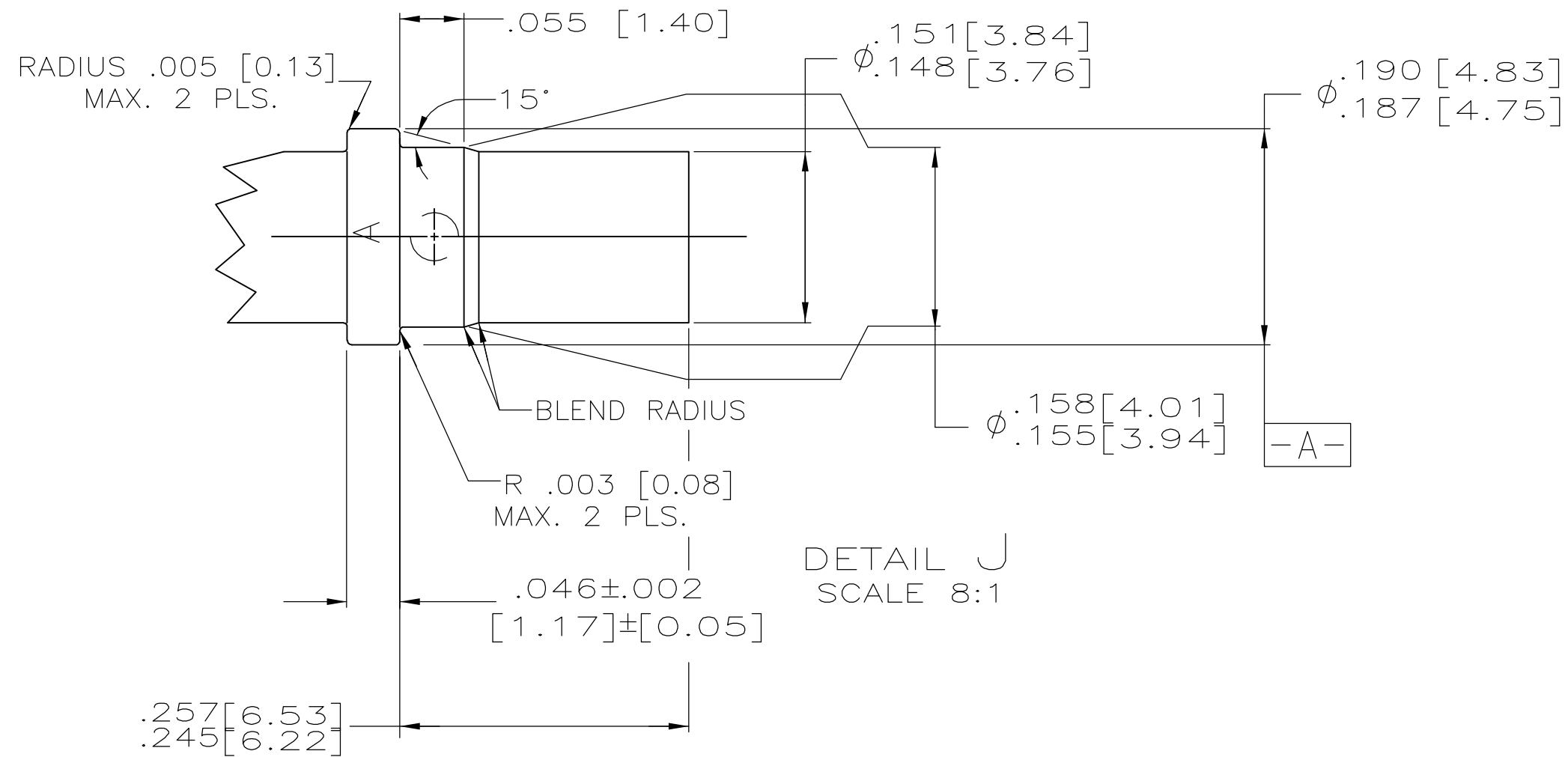


THIS DRAWING IS UNPUBLISHED. RELEASED FOR PUBLICATION
 © COPYRIGHT BY TYCO ELECTRONICS CORPORATION. ALL RIGHTS RESERVED.

LOC		DIST		REVISIONS			
P	LTR	DESCRIPTION		DATE	DWN	APVD	
DF	A0	D		REV PER EC 0H14-0154-04	24JAN06	TK	CT



DETAIL K
SCALE 5:1



DETAIL J
SCALE 8:1

- ① ELECTRICAL ENGAGEMENT POINT.
- ② PLATED .000050 GOLD PER. MIL-G-45204 OVER .000050 NICKEL PER QQ-N-290
- ③ COLOR CODE ADDED,SEE DETAIL K..

③	-	208271-3
-	②	208271-2
REMARKS	FINISH	MAKE FROM

THIS DRAWING IS A CONTROLLED DOCUMENT.		DWN J. BAKER 11/12/92	Tyco Electronics Corporation Harrisburg, PA 17105-3608	
DIMENSIONS: INCHES		CHK A. SHARPE 10/01/92		
TOLERANCES UNLESS OTHERWISE SPECIFIED:		APVD A. SHARPE 10/01/92	NAME	
0 PLC ± - 1 PLC ± - 2 PLC ± - 3 PLC ± .005 4 PLC ± - ANGLES ± 2°		PRODUCT SPEC	PIN CONTACT, SIZE 12 TYPE ARINC 600	
MATERIAL LEADED COPPER		FINISH SEE NOTES	APPLICATION SPEC	RESTRICTED TO
		WEIGHT -	SIZE A2	CAGE CODE 00779
		CUSTOMER DRAWING	DRAWING NO C=208271	REV D
		SCALE 5:1	SHEET 1 of 1	