



Chipsmall Limited consists of a professional team with an average of over 10 year of expertise in the distribution of electronic components. Based in Hongkong, we have already established firm and mutual-benefit business relationships with customers from,Europe,America and south Asia,supplying obsolete and hard-to-find components to meet their specific needs.

With the principle of “Quality Parts,Customers Priority,Honest Operation,and Considerate Service”,our business mainly focus on the distribution of electronic components. Line cards we deal with include Microchip,ALPS,ROHM,Xilinx,Pulse,ON,Everlight and Freescale. Main products comprise IC,Modules,Potentiometer,IC Socket,Relay,Connector.Our parts cover such applications as commercial,industrial, and automotives areas.

We are looking forward to setting up business relationship with you and hope to provide you with the best service and solution. Let us make a better world for our industry!



Contact us

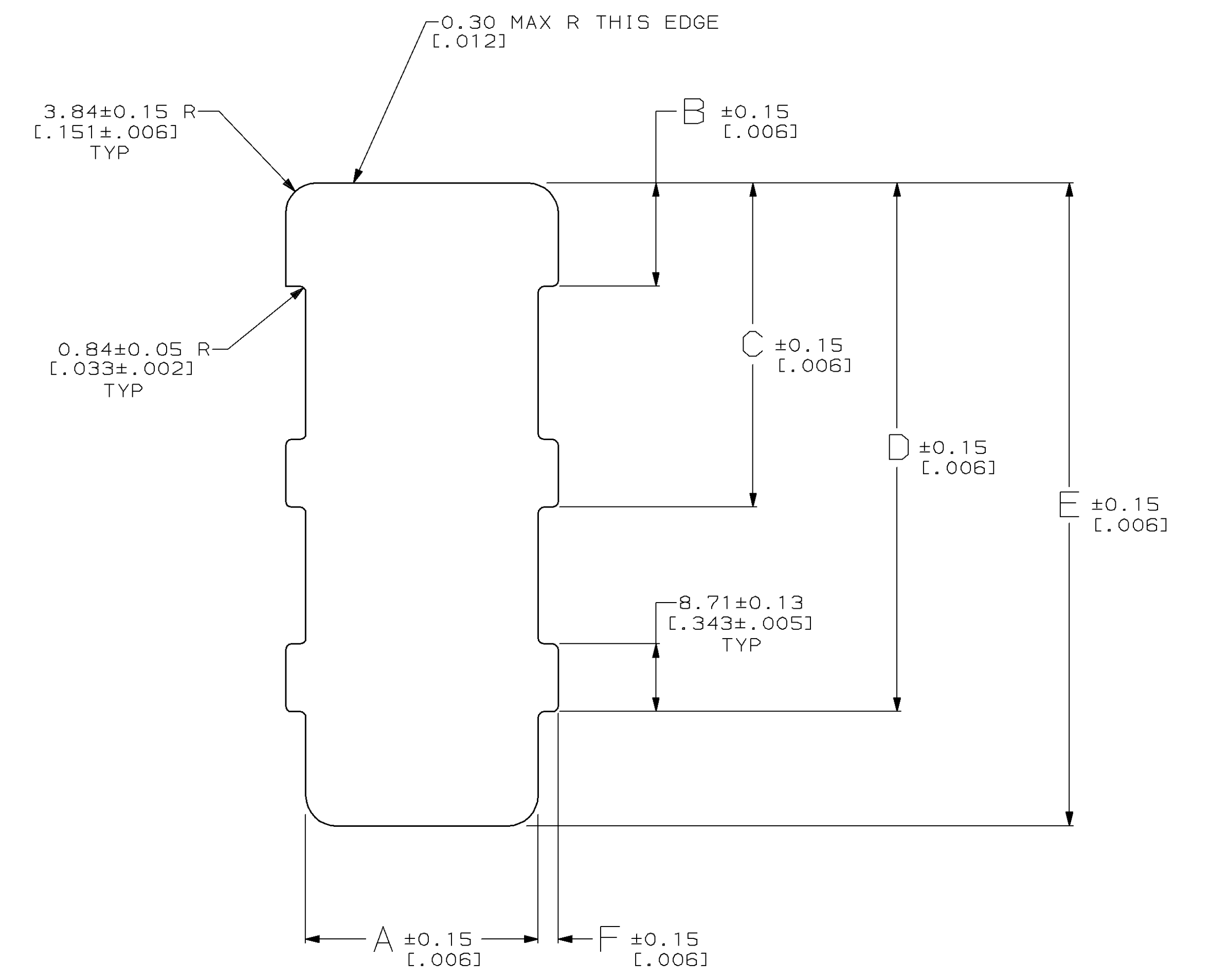
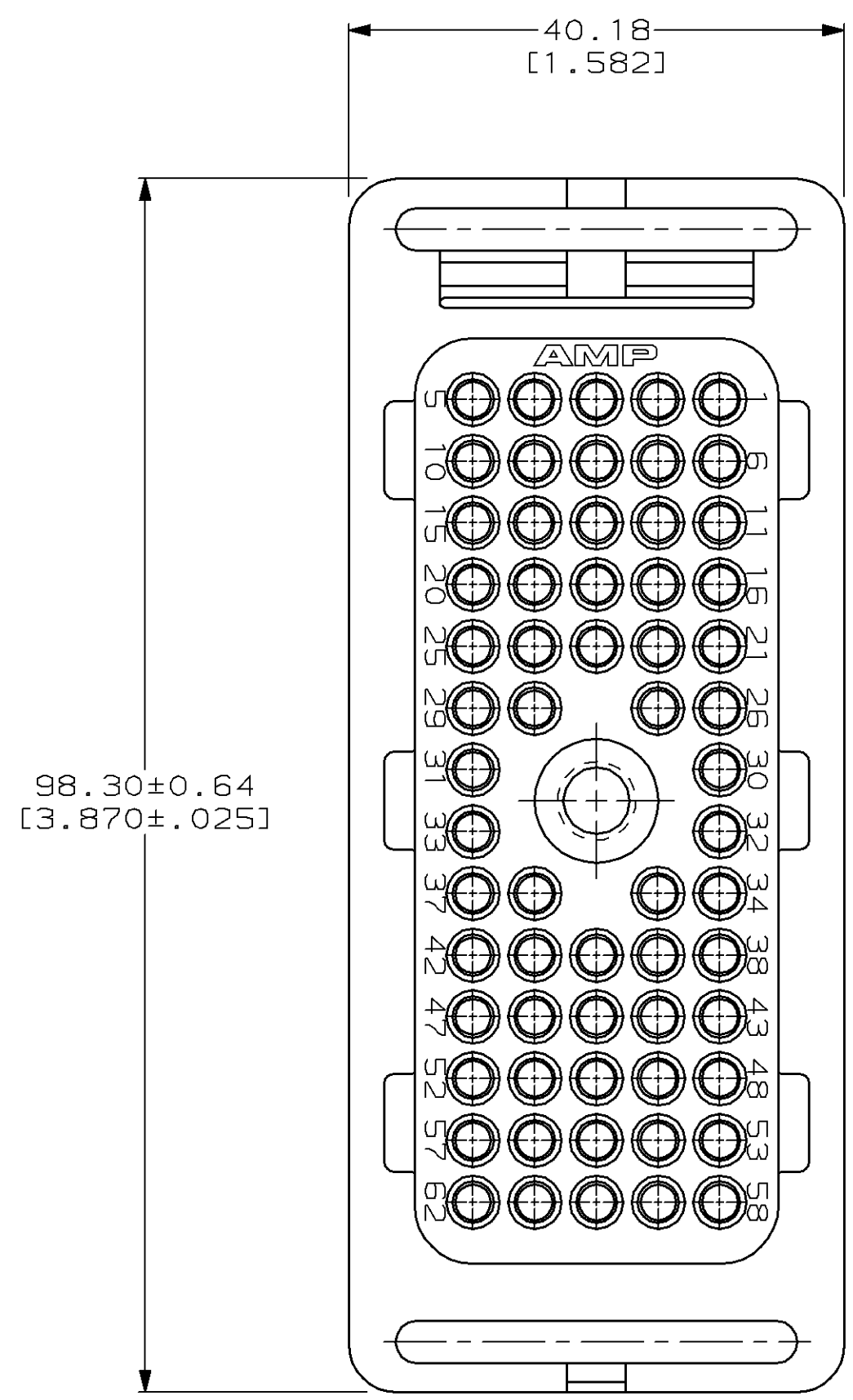
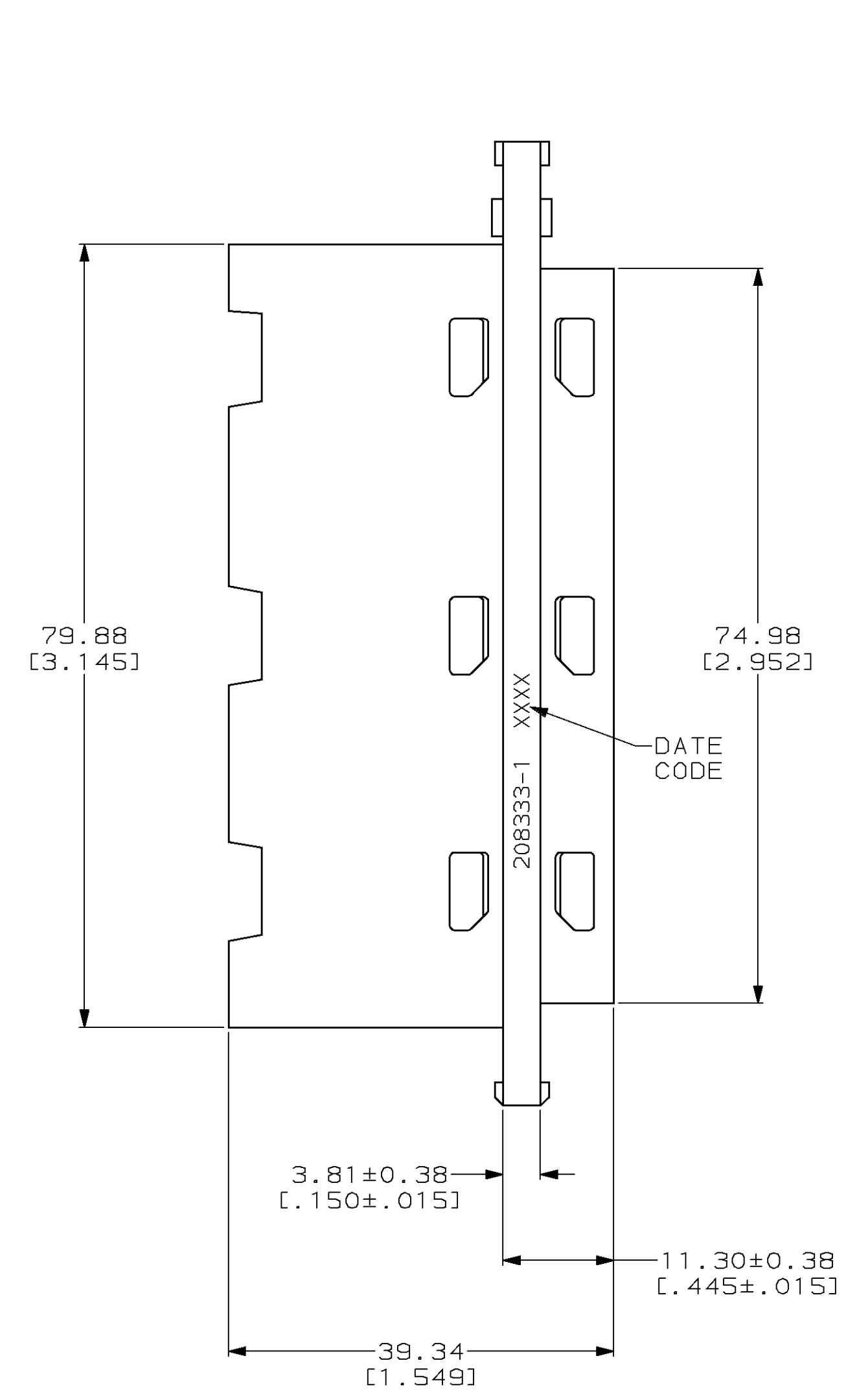
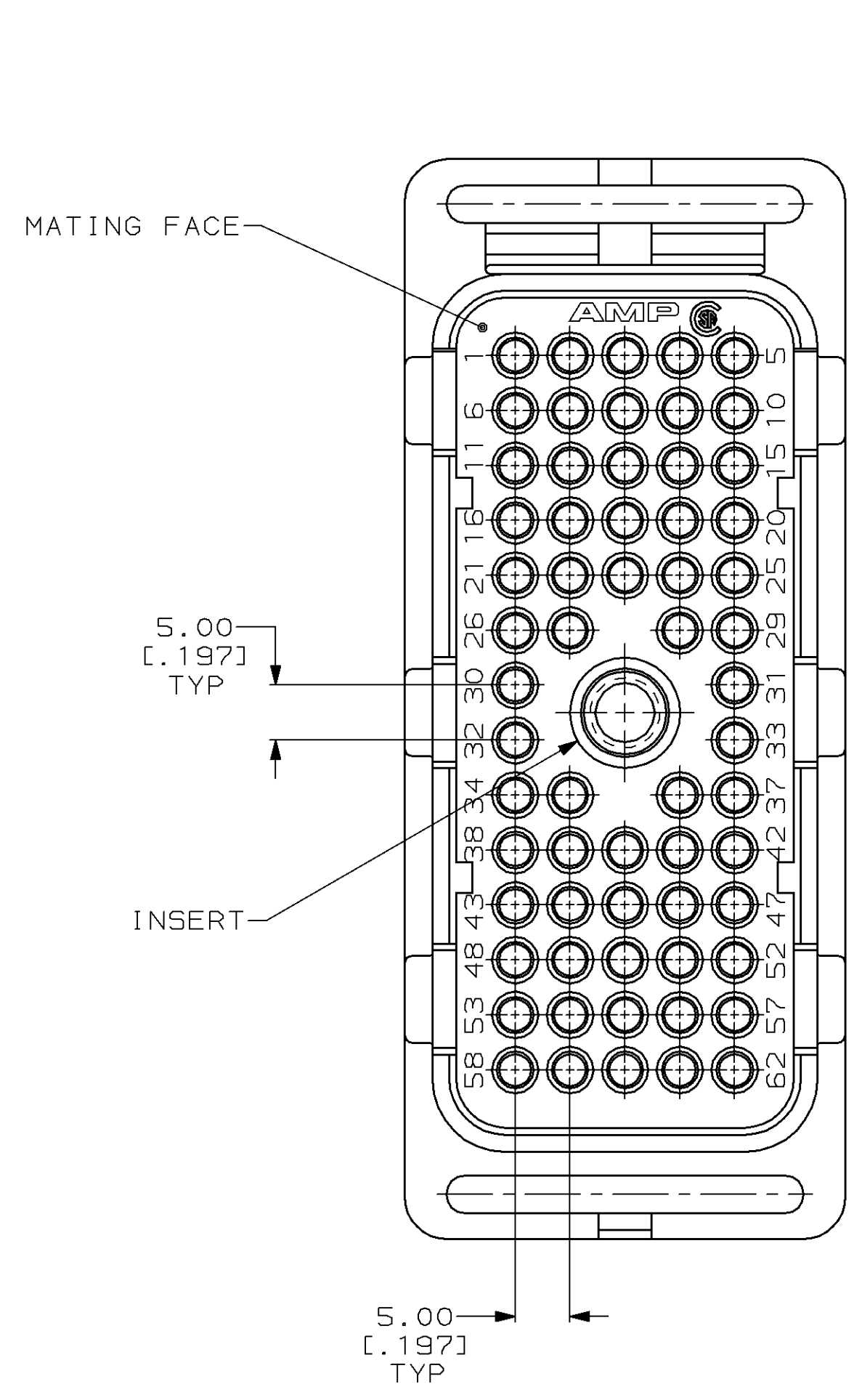
Tel: +86-755-8981 8866 Fax: +86-755-8427 6832

Email & Skype: info@chipsmall.com Web: www.chipsmall.com

Address: A1208, Overseas Decoration Building, #122 Zhenhua RD., Futian, Shenzhen, China



LOC		DIST		P		F		ZONE		LTR		REVISIONS			
BD	37											DESCRIPTION	DATE	APPD	
												B	REDRAWN WITHOUT CHANGE	10/26/92	-
												C	OBS -1, EC0020-942-94	01/09/95	AT
												D	REACTIVATE 208333-1 PER EC 0020-1369-95	28 NOV 95	MM



RECOMMENDED PANEL CUTOUT
 (PANEL THICKNESS: SEE TABLE)

- 1 PANEL CUTOUT FOR REAR MOUNTED PIN BLOCK.
- 2 PANEL CUTOUT FOR FRONT MOUNTED PIN BLOCK.

1.40 THRU 1.98 [0.055] [0.078]	2	37.85 [1.490]	16.05 [0.632]	44.45 [1.750]	70.36 [2.770]	85.55 [3.368]	1.75 [0.069]
0.79 THRU 1.40 [0.031] [0.055]	2	35.56 [1.400]	16.05 [0.632]	44.45 [1.750]	70.36 [2.770]	85.55 [3.368]	2.74 [0.108]
1.40 THRU 1.98 [0.055] [0.078]	1	32.36 [1.274]	13.46 [0.530]	41.86 [1.648]	68.15 [2.683]	82.85 [3.262]	1.75 [0.069]
0.79 THRU 1.40 [0.031] [0.055]	1	30.05 [1.183]	13.46 [0.530]	41.86 [1.648]	68.15 [2.683]	82.85 [3.262]	2.74 [0.108]
PANEL THICKNESS		A	B	C	D	E	F

THIS DRAWING IS A CONTROLLED DOCUMENT FOR AMP INCORPORATED. IT IS SUBJECT TO CHANGE AND THE CONTROLLING ENGINEERING ORGANIZATION SHOULD BE CONTACTED FOR THE LATEST REVISION.

DO NOT SCALE PRINT. UNLESS SPECIFIED DIMENSIONS IN mm [INCHES]		DR 10/26/92 D.6ELTZ		AMP Incorporated Harrisburg, PA 17105-3608	
TOLERANCES ON:	CHK 12-21-92 R.STONE	NAME	RECEPTACLE HOUSING, 62 POSITION, W/FEMALE JACKSCREW THD, METRIMATE		
2 PLC DEC ± 0.51 [0.020]	APPD 12-21-92 A.TRAVIS	MATERIAL	THERMOPLASTIC, BLACK		
3 PLC DEC ± -		INSERT, STAINLESS STEEL	PRODUCT SPEC -		
ANGLES ± -		FINISH	APPLICATION SPEC -		
		SCALE	2:1	CAGE CODE	00779
		DRAWING NO	C-208333		
		WEIGHT	-		
		SHEET	1 OF 1		