



Chipsmall Limited consists of a professional team with an average of over 10 year of expertise in the distribution of electronic components. Based in Hongkong, we have already established firm and mutual-benefit business relationships with customers from,Europe,America and south Asia,supplying obsolete and hard-to-find components to meet their specific needs.

With the principle of “Quality Parts,Customers Priority,Honest Operation,and Considerate Service”,our business mainly focus on the distribution of electronic components. Line cards we deal with include Microchip,ALPS,ROHM,Xilinx,Pulse,ON,Everlight and Freescale. Main products comprise IC,Modules,Potentiometer,IC Socket,Relay,Connector.Our parts cover such applications as commercial,industrial, and automotives areas.

We are looking forward to setting up business relationship with you and hope to provide you with the best service and solution. Let us make a better world for our industry!



Contact us

Tel: +86-755-8981 8866 Fax: +86-755-8427 6832

Email & Skype: info@chipsmall.com Web: www.chipsmall.com

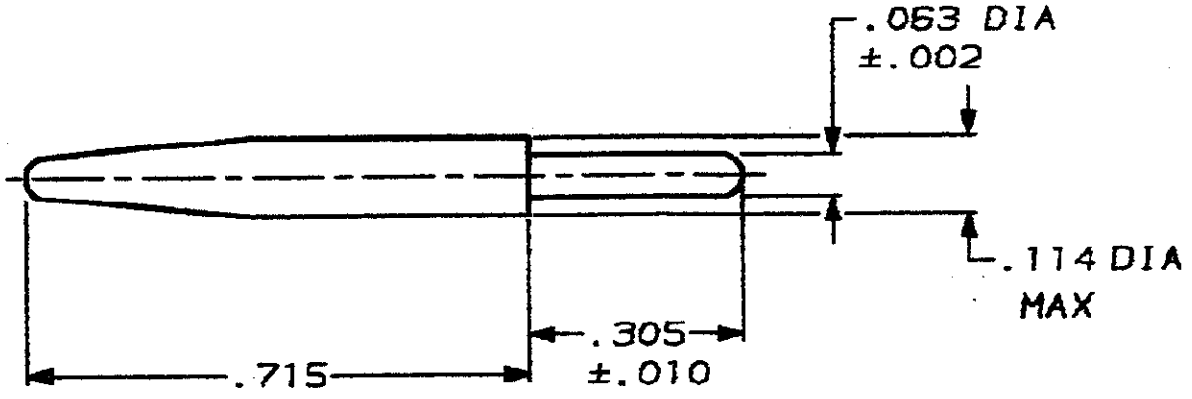
Address: A1208, Overseas Decoration Building, #122 Zhenhua RD., Futian, Shenzhen, China



DRAWINGS MADE IN THIRD ANGLE PROJECTION

MOD	LOC	DIST	REVISIONS					
30	BD	39	P	F	LTR	DESCRIPTION	DATE	APPROVED
			✓		B	REDRAWN	7/26/90	<i>KJ</i>

THIS DRAWING IS UNPUBLISHED. RELEASED FOR PUBLICATION BY AMP INCORPORATED. ALL INTERNATIONAL RIGHTS RESERVED. © COPYRIGHT 19



208338-1
PART NO

DO NOT SCALE PRINT. DIMENSIONS IN MM UNLESS SPECIFIED. TOLERANCES ON: DIM P/LC DEC * - DIM P/LC DEC ± .015 ANGLES * - MATERIAL COLOR: TEFLON NATURAL FINISH -

DR 7/26/90 A. STAUD DS
CHK *O. Muller* 1-2-91
APPD *K. Beaver* 1-18-91
APPD *J. Fulmer* 1/25/91
PRODUCT SPEC -
APPLICATION SPEC -
WEIGHT -

AMP AMP INCORPORATED
Harrisburg, Pa. 17105

NAME SEAL PROTECTOR, SOCKET, ECONOSEAL

SIZE	FSCN NO	DRAWING NO
A	00779	208338
SCALE	4:1	SHEET 1 OF 1