



Chipsmall Limited consists of a professional team with an average of over 10 year of expertise in the distribution of electronic components. Based in Hongkong, we have already established firm and mutual-benefit business relationships with customers from,Europe,America and south Asia,supplying obsolete and hard-to-find components to meet their specific needs.

With the principle of “Quality Parts,Customers Priority,Honest Operation,and Considerate Service”,our business mainly focus on the distribution of electronic components. Line cards we deal with include Microchip,ALPS,ROHM,Xilinx,Pulse,ON,Everlight and Freescale. Main products comprise IC,Modules,Potentiometer,IC Socket,Relay,Connector.Our parts cover such applications as commercial,industrial, and automotives areas.

We are looking forward to setting up business relationship with you and hope to provide you with the best service and solution. Let us make a better world for our industry!



Contact us

Tel: +86-755-8981 8866 Fax: +86-755-8427 6832

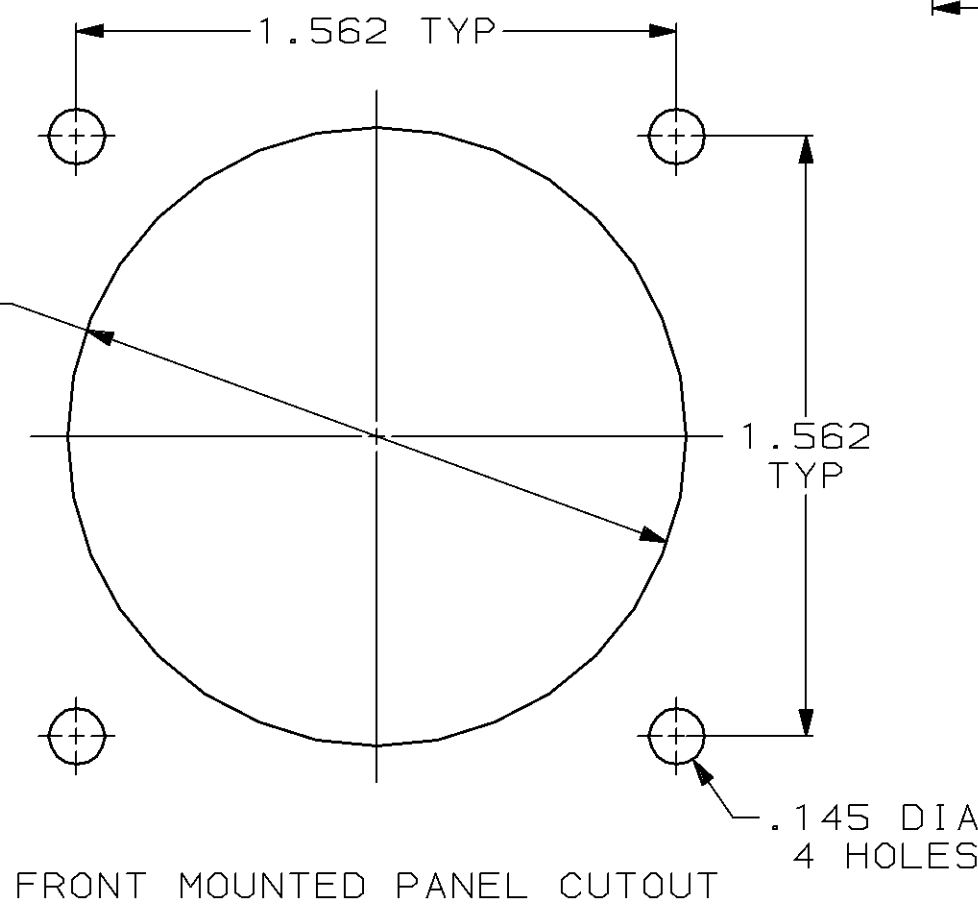
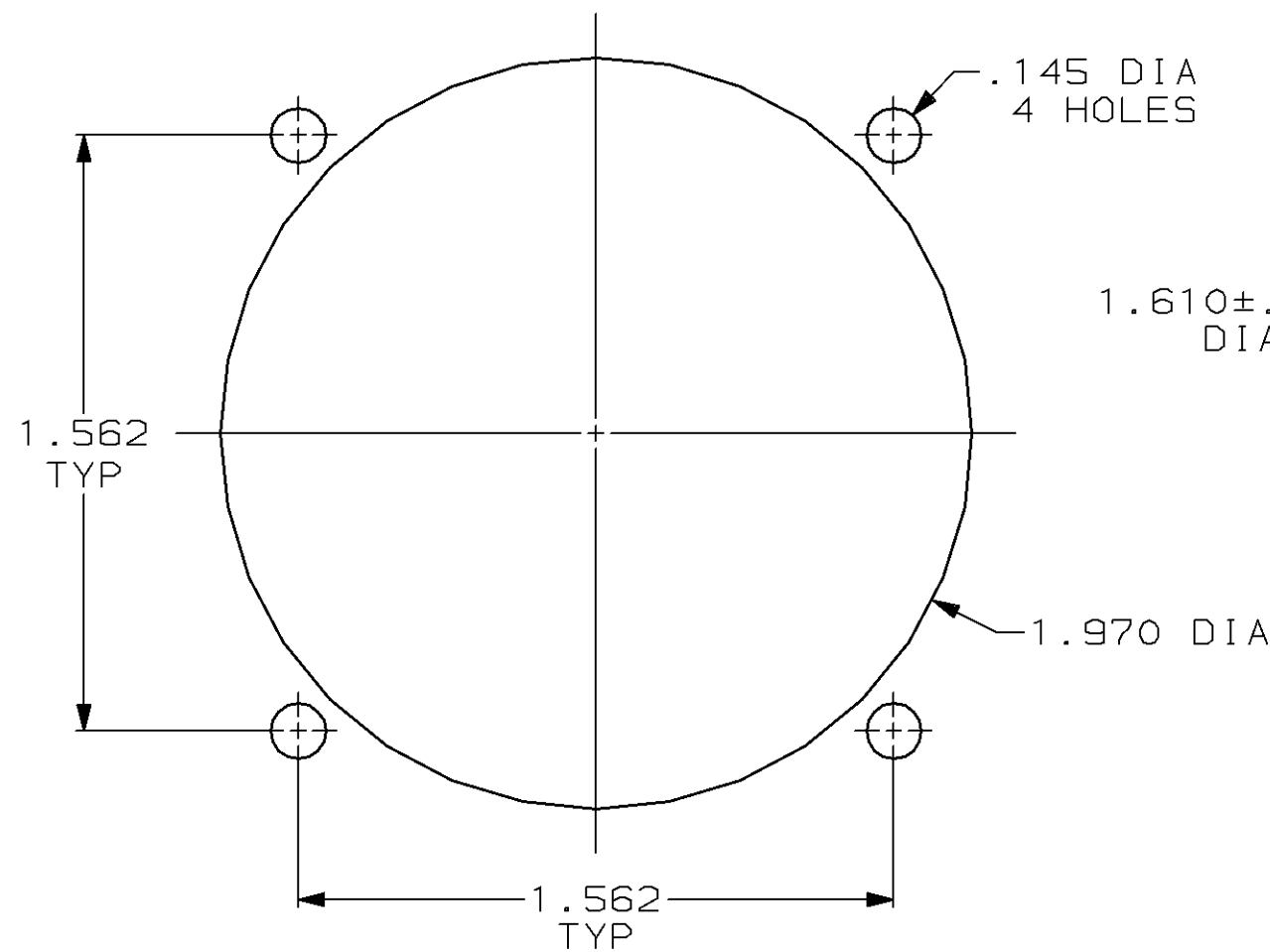
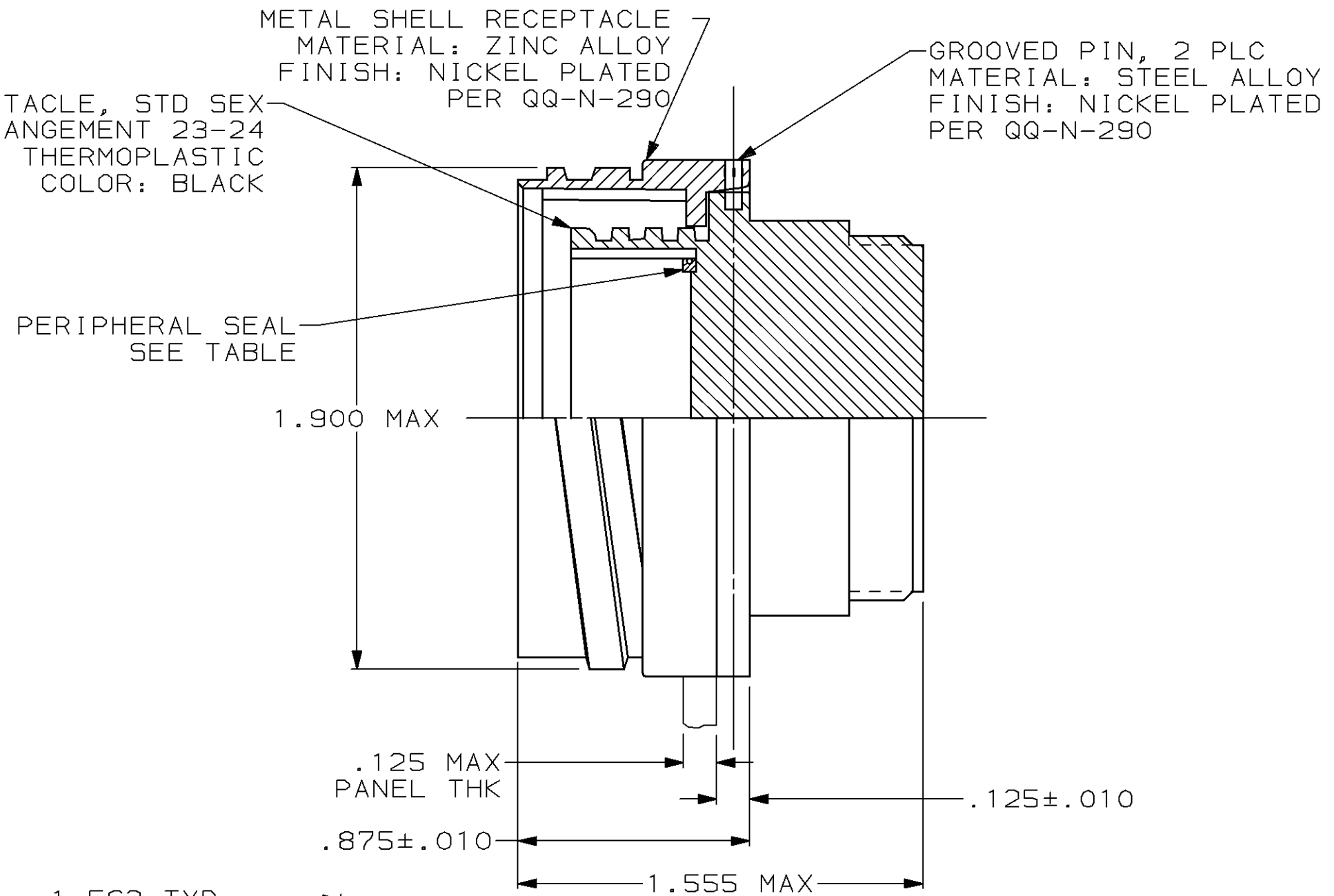
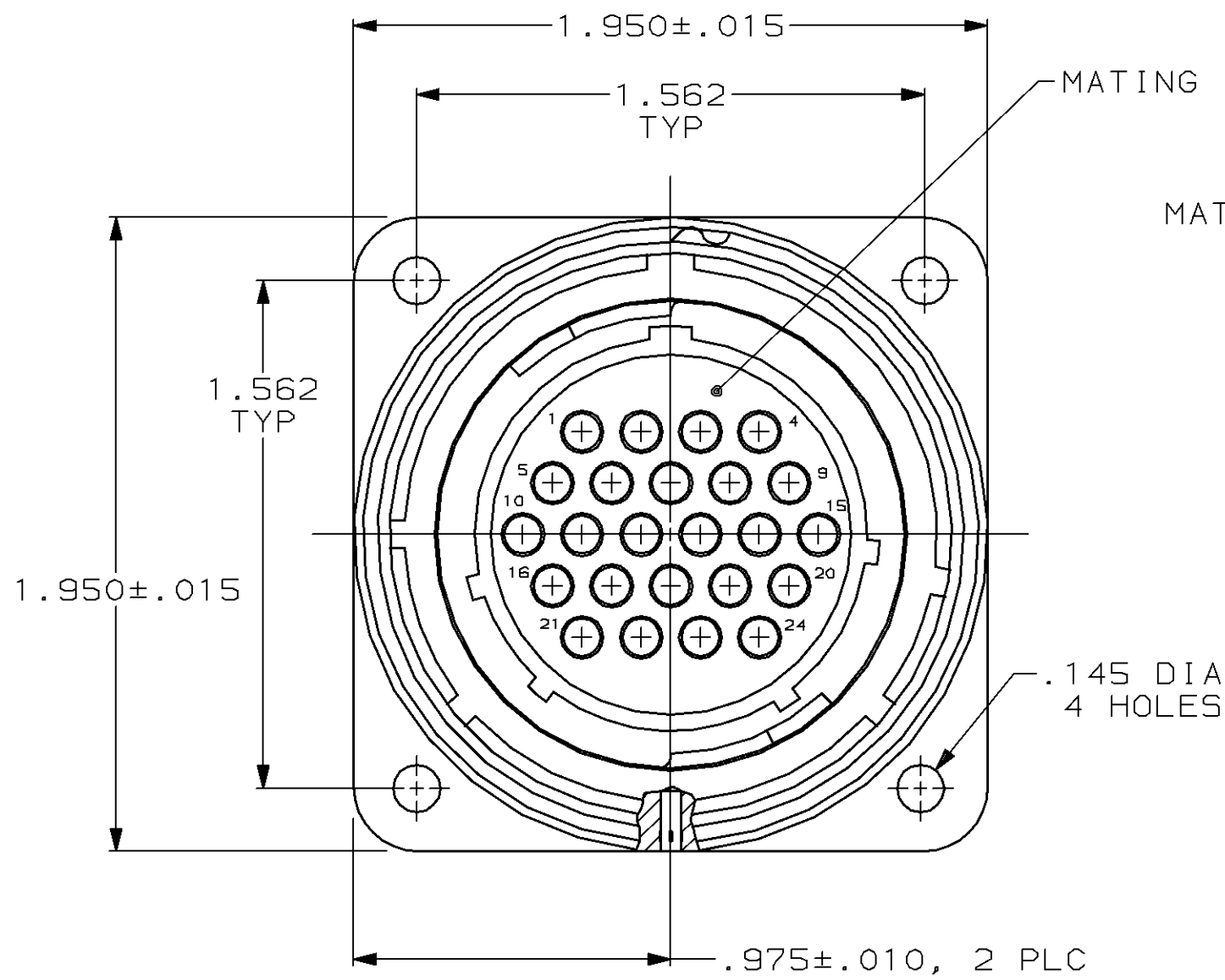
Email & Skype: info@chipsmall.com Web: www.chipsmall.com

Address: A1208, Overseas Decoration Building, #122 Zhenhua RD., Futian, Shenzhen, China



THIS DRAWING IS UNPUBLISHED. RELEASED FOR PUBLICATION ,19 .
 © COPYRIGHT 19 BY AMP INCORPORATED. ALL INTERNATIONAL RIGHTS RESERVED.

MOD	LOC	DIST	P	F	ZONE	LTR	DESCRIPTION	DATE	APPD
4	BD	35				J	REDRAWN	6-22-91	-
						K	OBS -2 PER EC 0020-0394-93	11/17/94	RK



OBSOLETE	YES	208459-2
	NO	208459-1
	PERIPHERAL SEAL	PART NUMBER

- 208459-1 MATES WITH AMP PLUG 208457-1 OR -3. 208459-2 MATES WITH 208457-1 ONLY.
- AMP PART NUMBER AND DATE CODE TO BE LOCATED ON EDGE OF FLANGE.

DO NOT SCALE PRINT. UNLESS SPECIFIED DIMENSIONS IN INCHES TOLERANCES ON :	DR 6-22-91 R.LEE BG	AMP Incorporated Harrisburg, PA 17105-3608
2 PLC DEC ± -	CHK 4-15-92 W.G.LENKER	
3 PLC DEC ± .005	APPD 4-15-92 K.BEAVER	NAME
ANGLES ± -	APPD 4-15-92 C.ROHDE	RECEPTACLE ASSEMBLY, STD SEX, SERIES 1, 28-24, CMC
MATERIAL	PRODUCT SPEC 108-10040	SIZE
SEE CALLOUT	APPLICATION SPEC -	CAGE CODE 00779
FINISH	WEIGHT -	DRAWING NO 208459
SEE CALLOUT		SCALE 2:1
		SHEET 1 OF 1