



Chipsmall Limited consists of a professional team with an average of over 10 year of expertise in the distribution of electronic components. Based in Hongkong, we have already established firm and mutual-benefit business relationships with customers from,Europe,America and south Asia,supplying obsolete and hard-to-find components to meet their specific needs.

With the principle of "Quality Parts,Customers Priority,Honest Operation,and Considerate Service",our business mainly focus on the distribution of electronic components. Line cards we deal with include Microchip,ALPS,ROHM,Xilinx,Pulse,ON,Everlight and Freescale. Main products comprise IC,Modules,Potentiometer,IC Socket,Relay,Connector.Our parts cover such applications as commercial,industrial, and automotives areas.

We are looking forward to setting up business relationship with you and hope to provide you with the best service and solution. Let us make a better world for our industry!



## Contact us

Tel: +86-755-8981 8866 Fax: +86-755-8427 6832

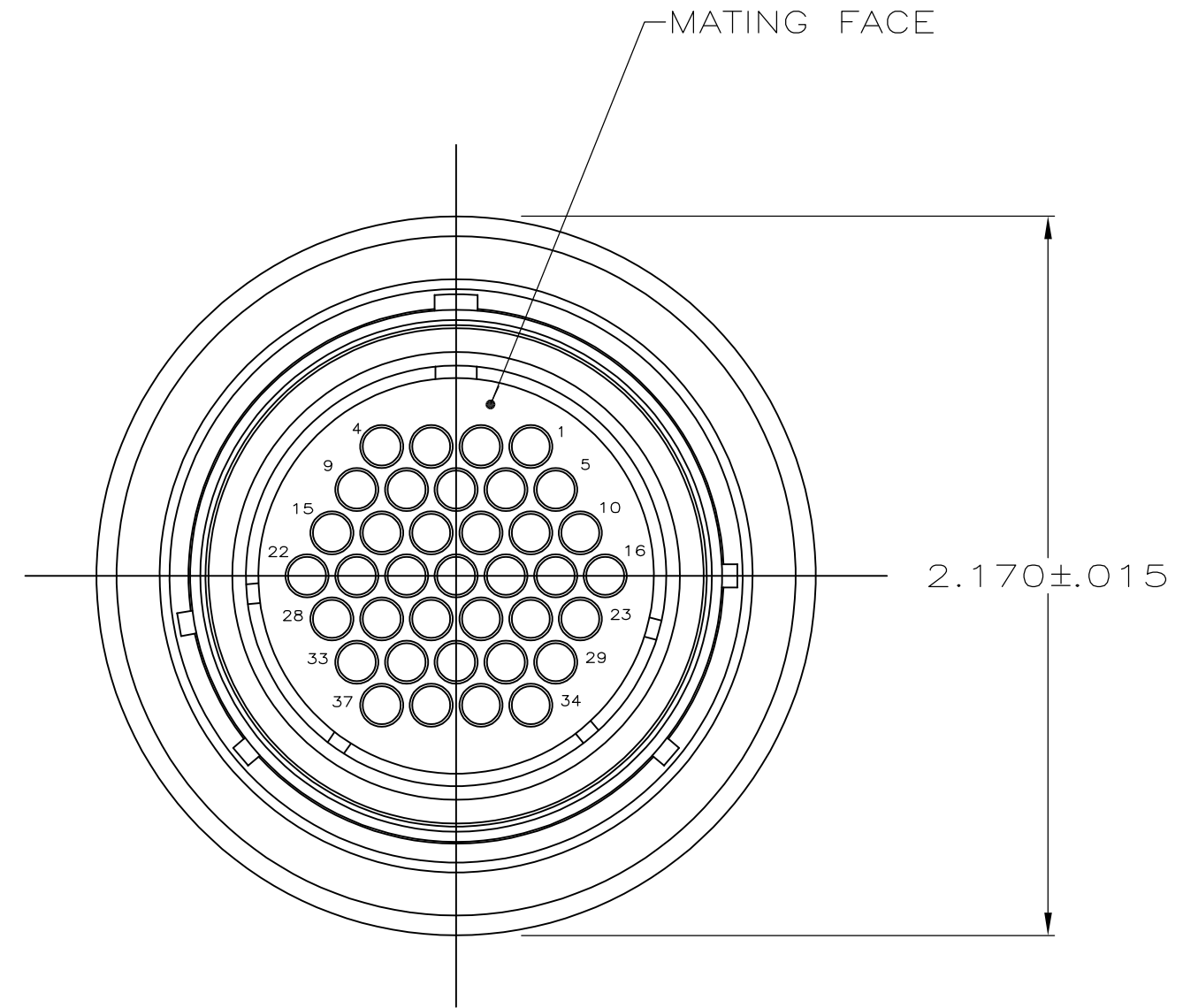
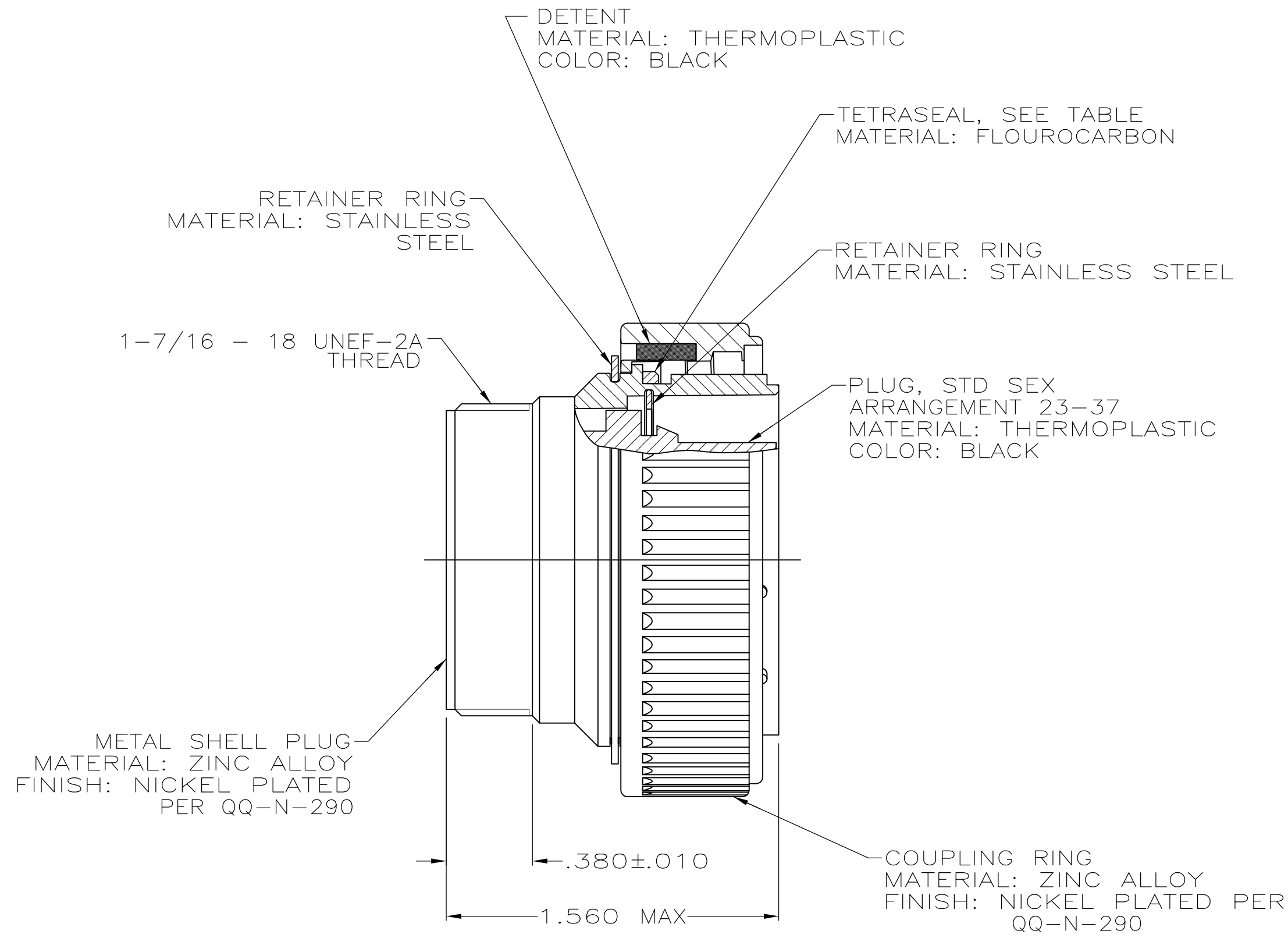
Email & Skype: info@chipsmall.com Web: www.chipsmall.com

Address: A1208, Overseas Decoration Building, #122 Zhenhua RD., Futian, Shenzhen, China



THIS DRAWING IS UNPUBLISHED. RELEASED FOR PUBLICATION  
 © COPYRIGHT - By - ALL RIGHTS RESERVED.

LOC	DIST	REVISIONS			
P	LTR	DESCRIPTION	DATE	DWN	APVD
BD	35	S1	REVISED PER ECO-11-005027	11MAR11	RK HMR



- 208470-1 MATES WITH AMP RECEPTACLE 208471-1 OR -2.  
208470-3 MATES WITH AMP RECEPTACLE 208471-1 ONLY.
- AMP PART NUMBER AND DATE CODE TO BE LOCATED ON COUPLING RING.

YES	208470-3
NO	208470-1
TETRASEAL	PART NUMBER

THIS DRAWING IS A CONTROLLED DOCUMENT.		DWN	R.LEE BG	6-25-91	 TE Connectivity NAME PLUG ASSEMBLY, STD SEX, SERIES 1, 28-37, CMC
DIMENSIONS: INCHES		CHK	W.G.LENKER	4-16-92	
TOLERANCES UNLESS OTHERWISE SPECIFIED:		APVD	K.BEAVER	4-16-92	
0 PLC ± - 1 PLC ± - 2 PLC ± - 3 PLC ± - 4 PLC ± - ANGLES ± -		PRODUCT SPEC	108-10040	APPLICATION SPEC	
MATERIAL	SEE CALLOUT	FINISH	SEE CALLOUT	WEIGHT	-
CUSTOMER DRAWING		SCALE	2:1	SHEET	1 of 1
		SIZE	A2	CAGE CODE	00779
		DRAWING NO	C=208470	RESTRICTED TO	-
		REV	S1		