



Chipsmall Limited consists of a professional team with an average of over 10 year of expertise in the distribution of electronic components. Based in Hongkong, we have already established firm and mutual-benefit business relationships with customers from,Europe,America and south Asia,supplying obsolete and hard-to-find components to meet their specific needs.

With the principle of "Quality Parts,Customers Priority,Honest Operation,and Considerate Service",our business mainly focus on the distribution of electronic components. Line cards we deal with include Microchip,ALPS,ROHM,Xilinx,Pulse,ON,Everlight and Freescale. Main products comprise IC,Modules,Potentiometer,IC Socket,Relay,Connector.Our parts cover such applications as commercial,industrial, and automotives areas.

We are looking forward to setting up business relationship with you and hope to provide you with the best service and solution. Let us make a better world for our industry!



Contact us

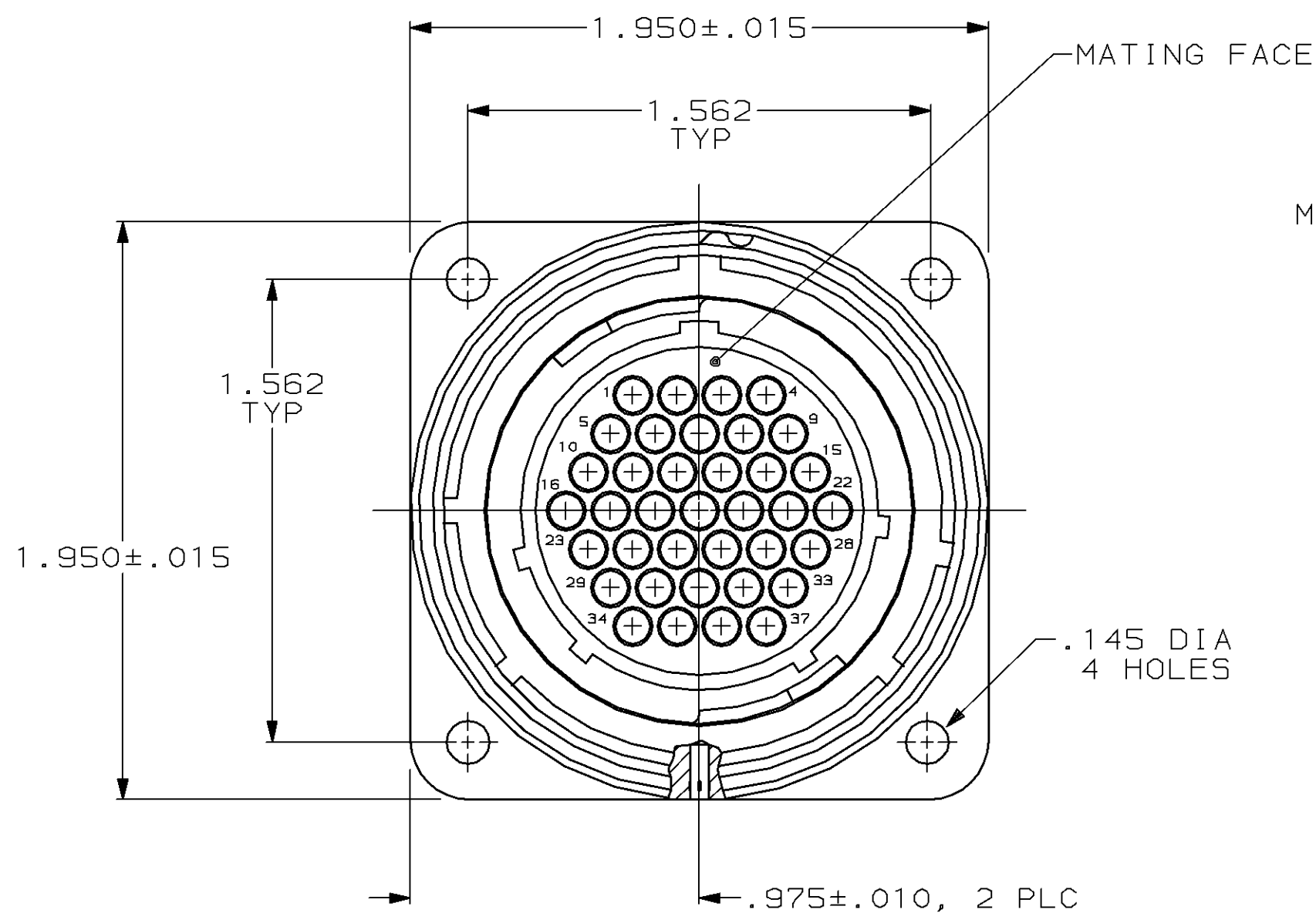
Tel: +86-755-8981 8866 Fax: +86-755-8427 6832

Email & Skype: info@chipsmall.com Web: www.chipsmall.com

Address: A1208, Overseas Decoration Building, #122 Zhenhua RD., Futian, Shenzhen, China



MOD		LOC		DIST		REVISIONS						
ZONE	LTR	DESCRIPTION	DATE	APPD								
4	BD	35	P	F	H	REDRAWN	6-25-91	-				
					J	OBS -2 PER EC 0020-0394-93	11/17/94	RK				



RECEPTACLE, STD SEX, ARRANGEMENT 23-37
 MATERIAL: THERMOPLASTIC
 COLOR: BLACK

METAL SHELL RECEPTACLE
 MATERIAL: ZINC ALLOY
 FINISH: NICKEL PLATED PER QQ-N-290

GROOVE PIN, 2 PLC
 MATERIAL: STEEL ALLOY
 FINISH: NICKEL PLATED PER QQ-N-290

PERIPHERAL SEAL
 SEE TABLE

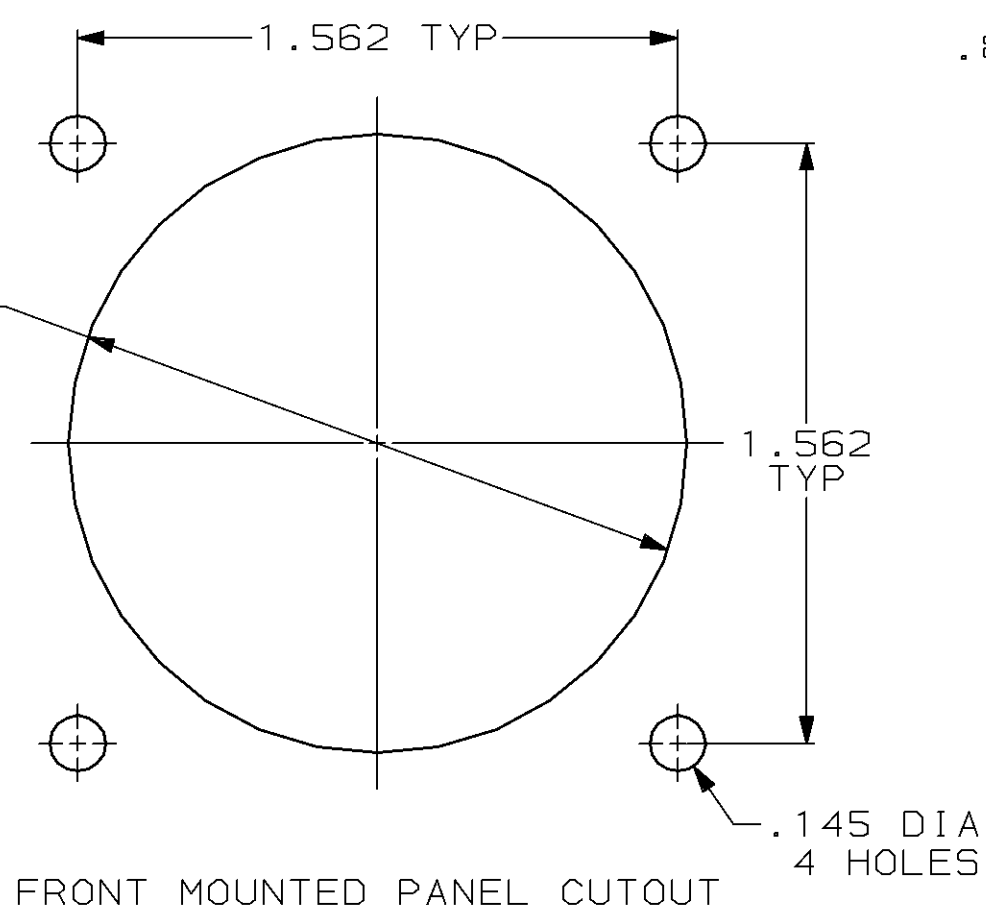
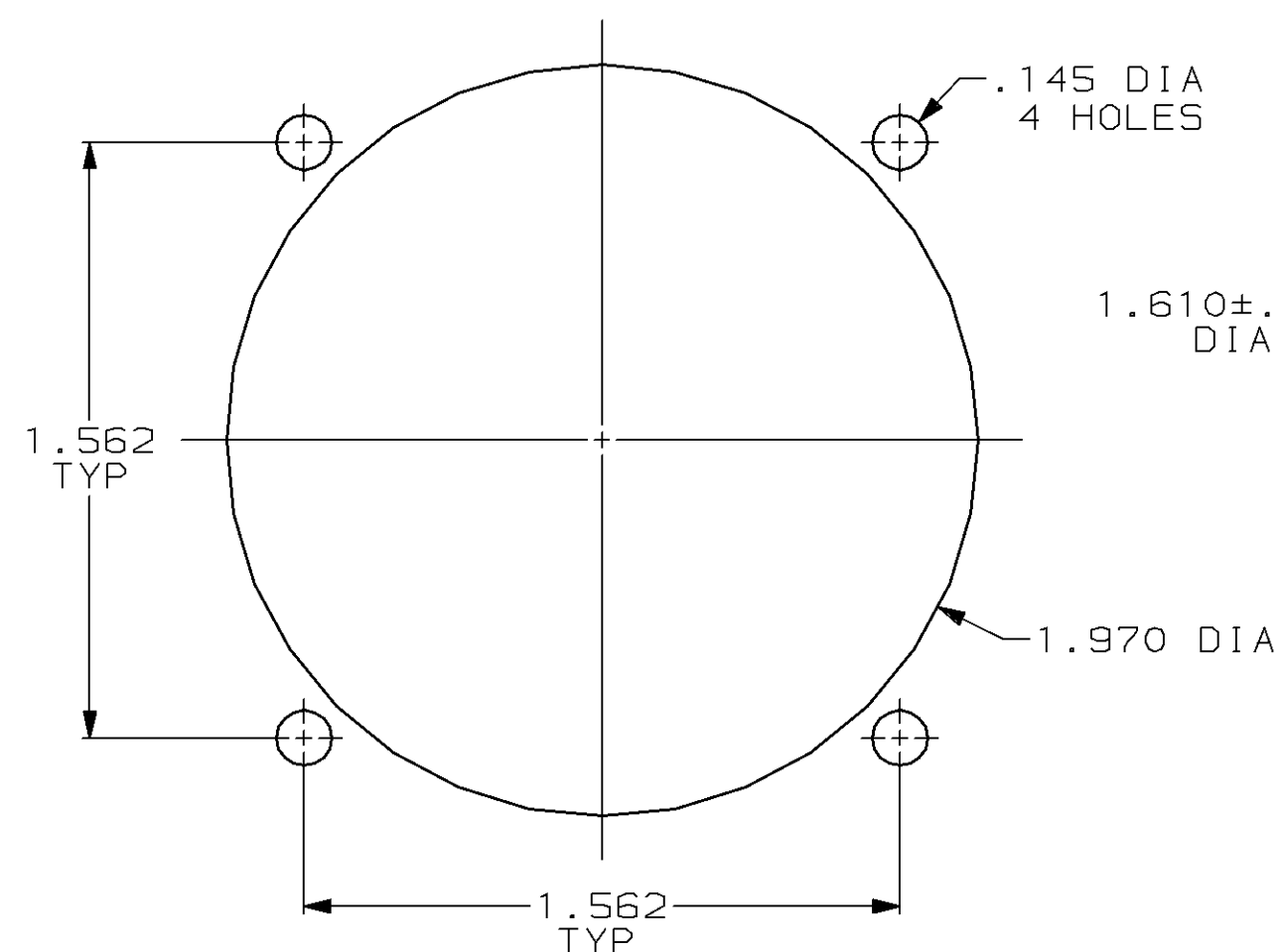
1.900 MAX

.125 MAX
 PANEL THK

.875±.010

1.540 MAX

.125±.010



OBSOLETE	YES	208471-2
	NO	208471-1
	PERIPHERAL SEAL	PART NUMBER

REAR MOUNTED PANEL CUTOUT

DO NOT SCALE PRINT. UNLESS SPECIFIED DIMENSIONS IN INCHES TOLERANCES ON :
 2 PLC DEC ± -
 3 PLC DEC ± .005
 ANGLES ± -
 MATERIAL SEE CALLOUT
 FINISH SEE CALLOUT

DR 6-25-91 R.LEE BG	AMP Incorporated Harrisburg, PA 17105-3608
CHK 4-15-92 W.G.LENKER	
APPD 4-15-92 K.BEAVER	RECEPTACLE ASSEMBLY, STD SEX, SERIES 1, 28-37, CMC
APPD 4-15-92 C.ROHDE	
PRODUCT SPEC 108-10040	NAME
APPLICATION SPEC -	SIZE CAGE CODE DRAWING NO C 00779 208471
WEIGHT -	SCALE SHEET 2:1 1 OF 1

- 208471-1 MATES WITH AMP PLUG 208470-1 OR -3. 208471-2 MATES WITH 208470-1 ONLY.
- AMP PART NUMBER AND DATE CODE TO BE LOCATED ON EDGE OF FLANGE.