



Chipsmall Limited consists of a professional team with an average of over 10 year of expertise in the distribution of electronic components. Based in Hongkong, we have already established firm and mutual-benefit business relationships with customers from,Europe,America and south Asia,supplying obsolete and hard-to-find components to meet their specific needs.

With the principle of “Quality Parts,Customers Priority,Honest Operation,and Considerate Service”,our business mainly focus on the distribution of electronic components. Line cards we deal with include Microchip,ALPS,ROHM,Xilinx,Pulse,ON,Everlight and Freescale. Main products comprise IC,Modules,Potentiometer,IC Socket,Relay,Connector.Our parts cover such applications as commercial,industrial, and automotives areas.

We are looking forward to setting up business relationship with you and hope to provide you with the best service and solution. Let us make a better world for our industry!



## Contact us

Tel: +86-755-8981 8866 Fax: +86-755-8427 6832

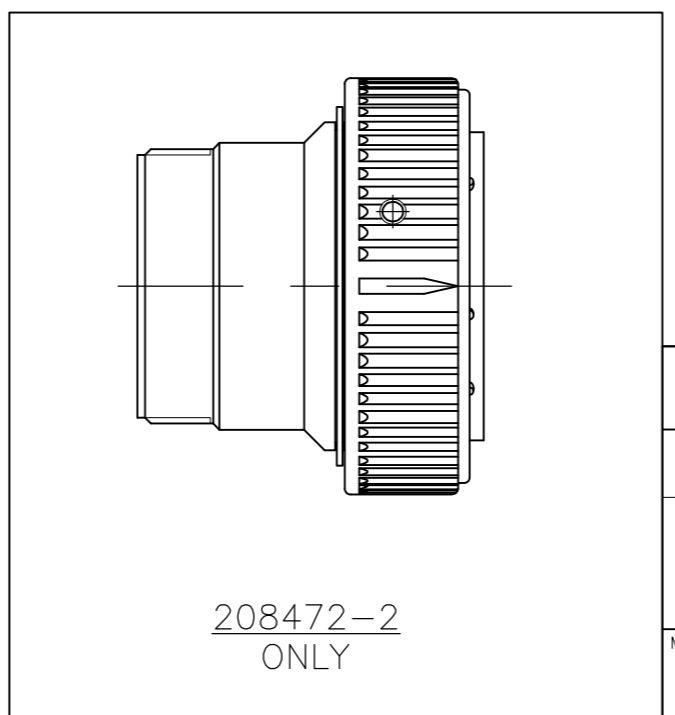
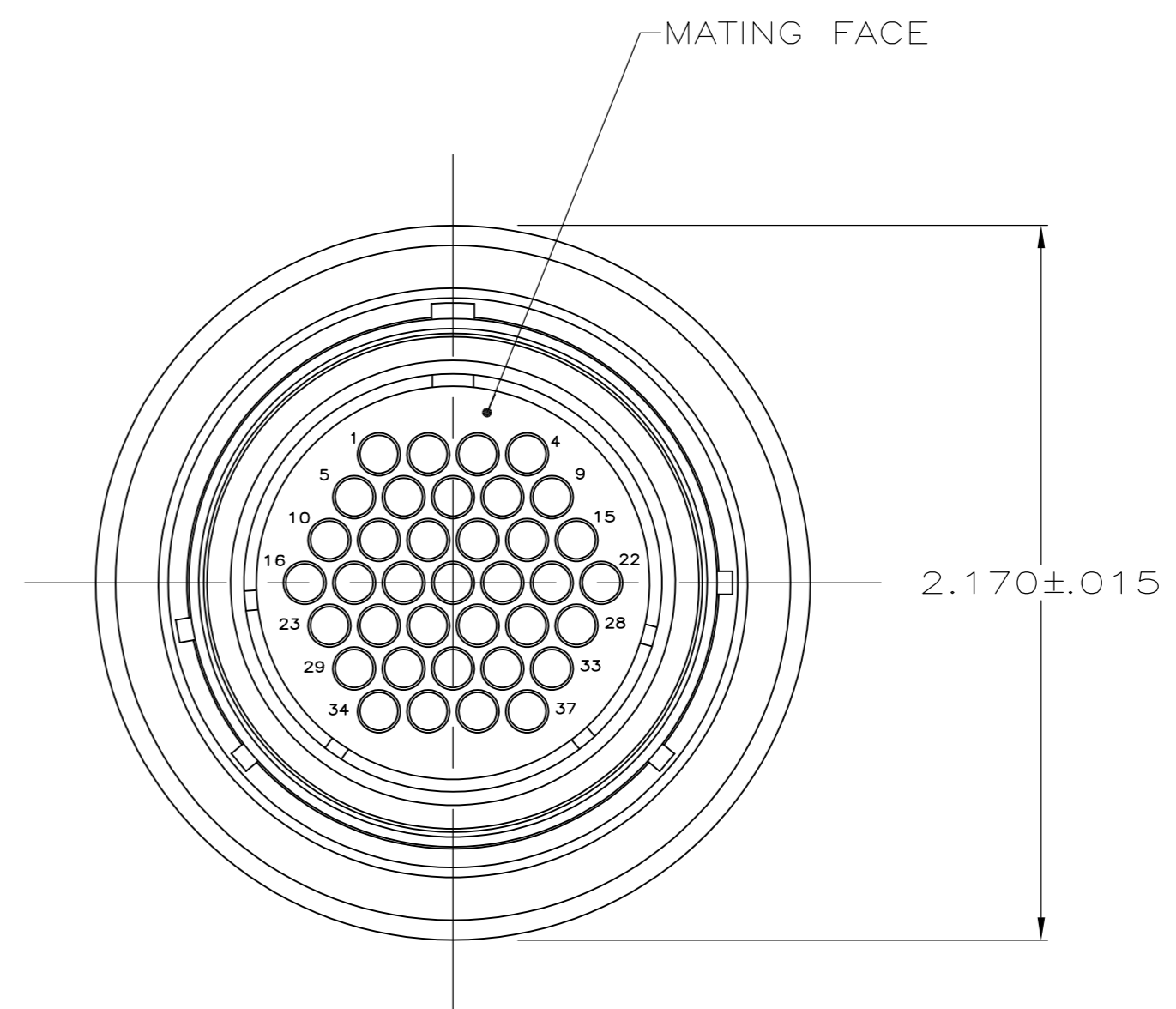
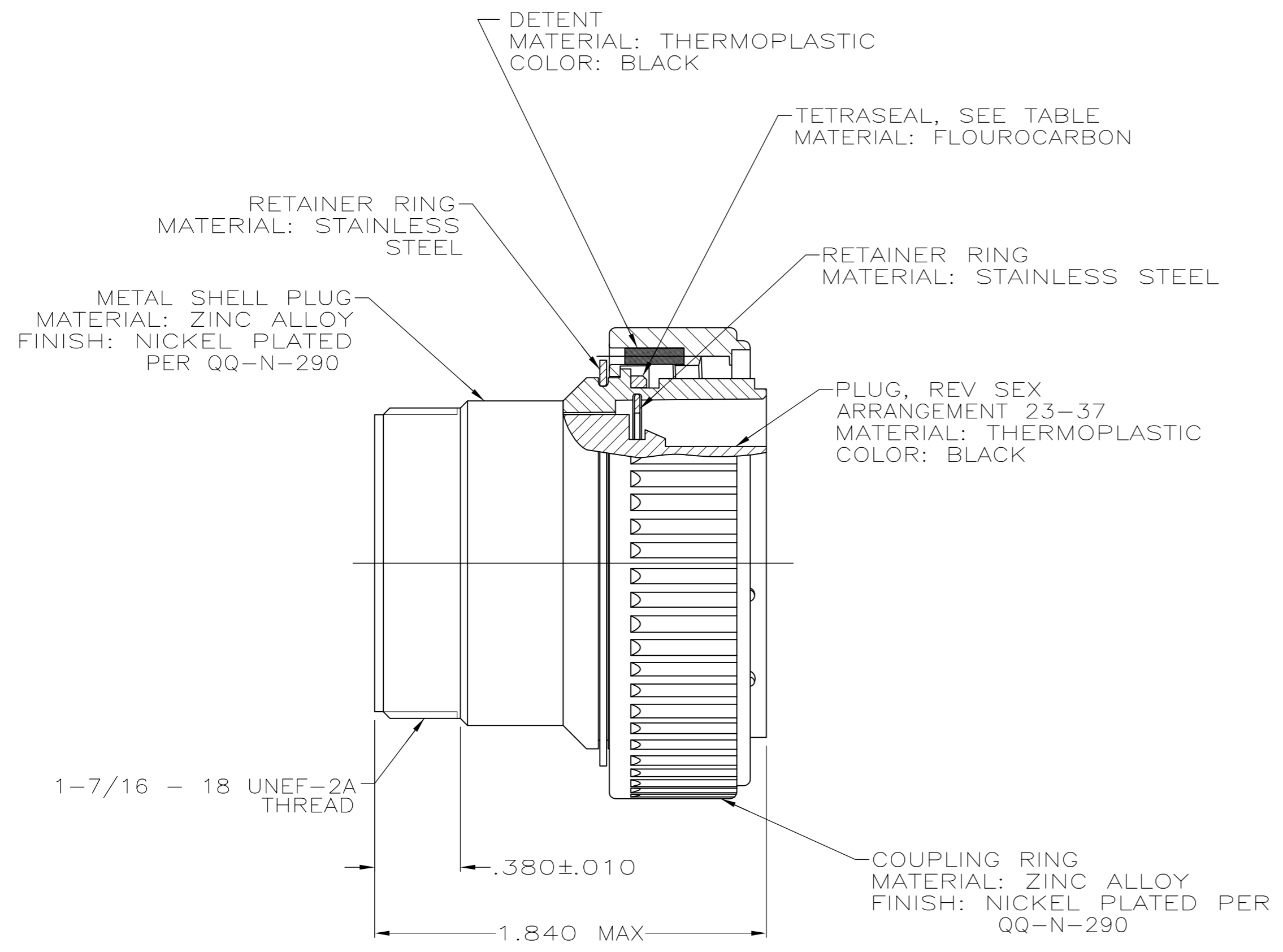
Email & Skype: info@chipsmall.com Web: www.chipsmall.com

Address: A1208, Overseas Decoration Building, #122 Zhenhua RD., Futian, Shenzhen, China



THIS DRAWING IS UNPUBLISHED. RELEASED FOR PUBLICATION  
 © COPYRIGHT - By - ALL RIGHTS RESERVED.

LOC	DIST	REVISIONS					
FT	0	P	LTR	DESCRIPTION	DATE	DWN	APVD
		V1		REVISED PER ECO-11-005027	11MAR11	RK	HMR



1. AMP PART NUMBER AND DATE CODE TO BE LOCATED ON COUPLING RING.

NO	YES	208472-3
YES	YES	208472-2
NO	NO	208472-1
SECONDARY LOCKING FEATURE	TETRASEAL	PART NUMBER

THIS DRAWING IS A CONTROLLED DOCUMENT.		DWN R.LEE BG 6-25-91	<b>TE</b> TE Connectivity	
		CHK W.G.LENKER 4-16-92		
DIMENSIONS: INCHES	TOLERANCES UNLESS OTHERWISE SPECIFIED:	APVD -	NAME	
	0 PLC ± -	PRODUCT SPEC	PLUG ASSEMBLY, REV SEX, SERIES 1, 28-37, CMC	
	1 PLC ± -	108-10040		
	2 PLC ± -	APPLICATION SPEC		
	3 PLC ± -		SIZE A2	CAGE CODE 00779
	4 PLC ± -		DRAWING NO C-208472	RESTRICTED TO -
	ANGLES ± -	WEIGHT -		
MATERIAL SEE CALLOUT	FINISH SEE CALLOUT	CUSTOMER DRAWING	SCALE 2:1	SHEET 1 OF 1
			REV V1	