



Chipsmall Limited consists of a professional team with an average of over 10 year of expertise in the distribution of electronic components. Based in Hongkong, we have already established firm and mutual-benefit business relationships with customers from,Europe,America and south Asia,supplying obsolete and hard-to-find components to meet their specific needs.

With the principle of "Quality Parts,Customers Priority,Honest Operation,and Considerate Service",our business mainly focus on the distribution of electronic components. Line cards we deal with include Microchip,ALPS,ROHM,Xilinx,Pulse,ON,Everlight and Freescale. Main products comprise IC,Modules,Potentiometer,IC Socket,Relay,Connector.Our parts cover such applications as commercial,industrial, and automotives areas.

We are looking forward to setting up business relationship with you and hope to provide you with the best service and solution. Let us make a better world for our industry!



Contact us

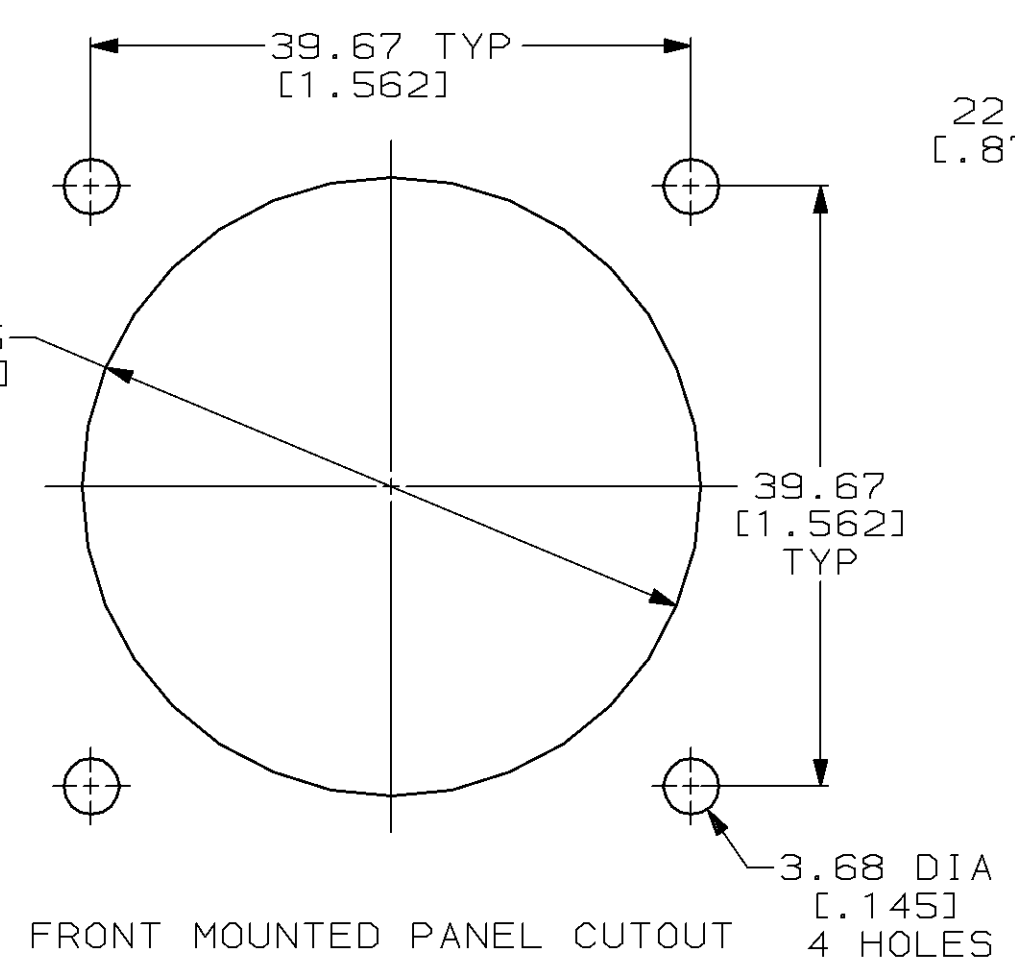
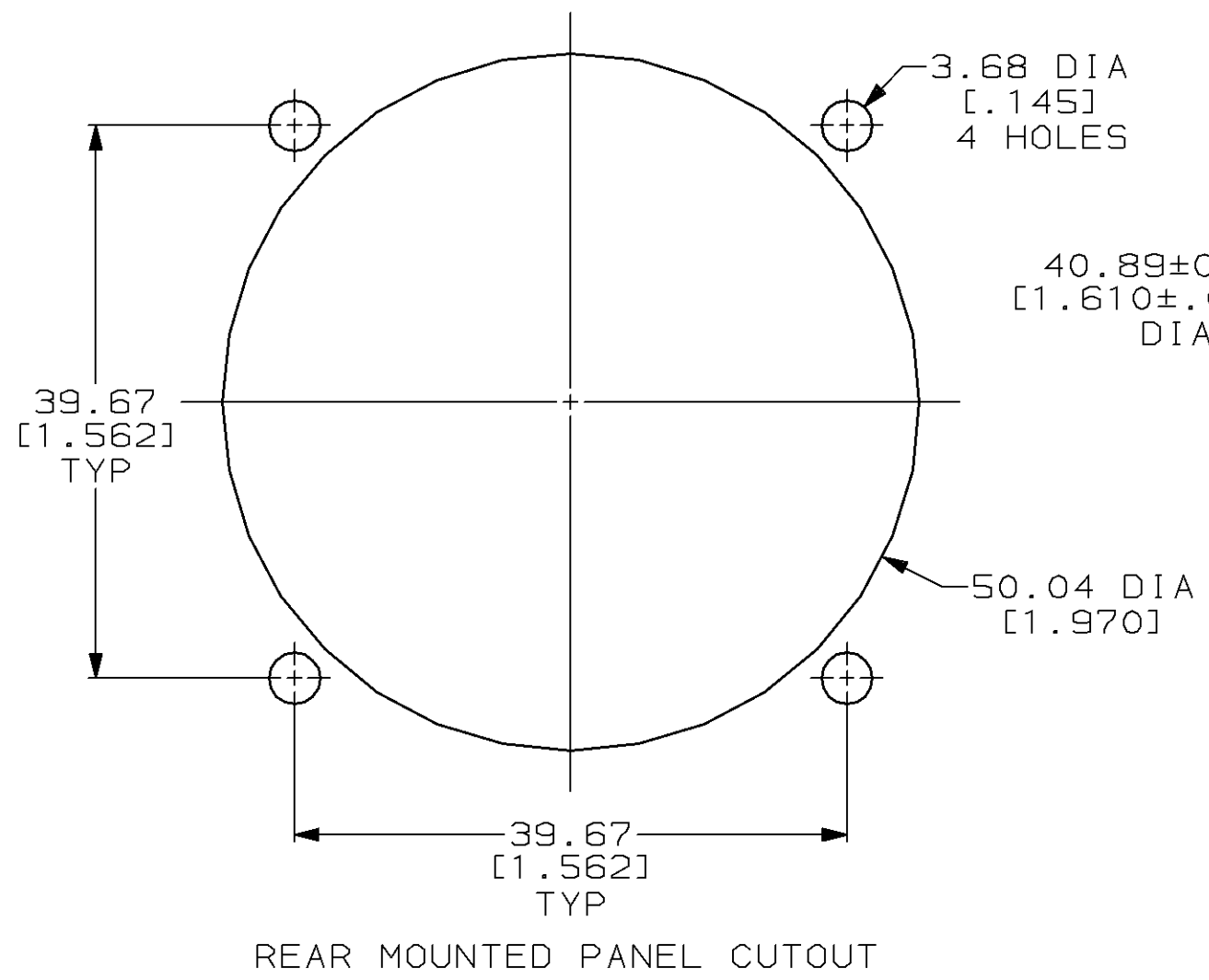
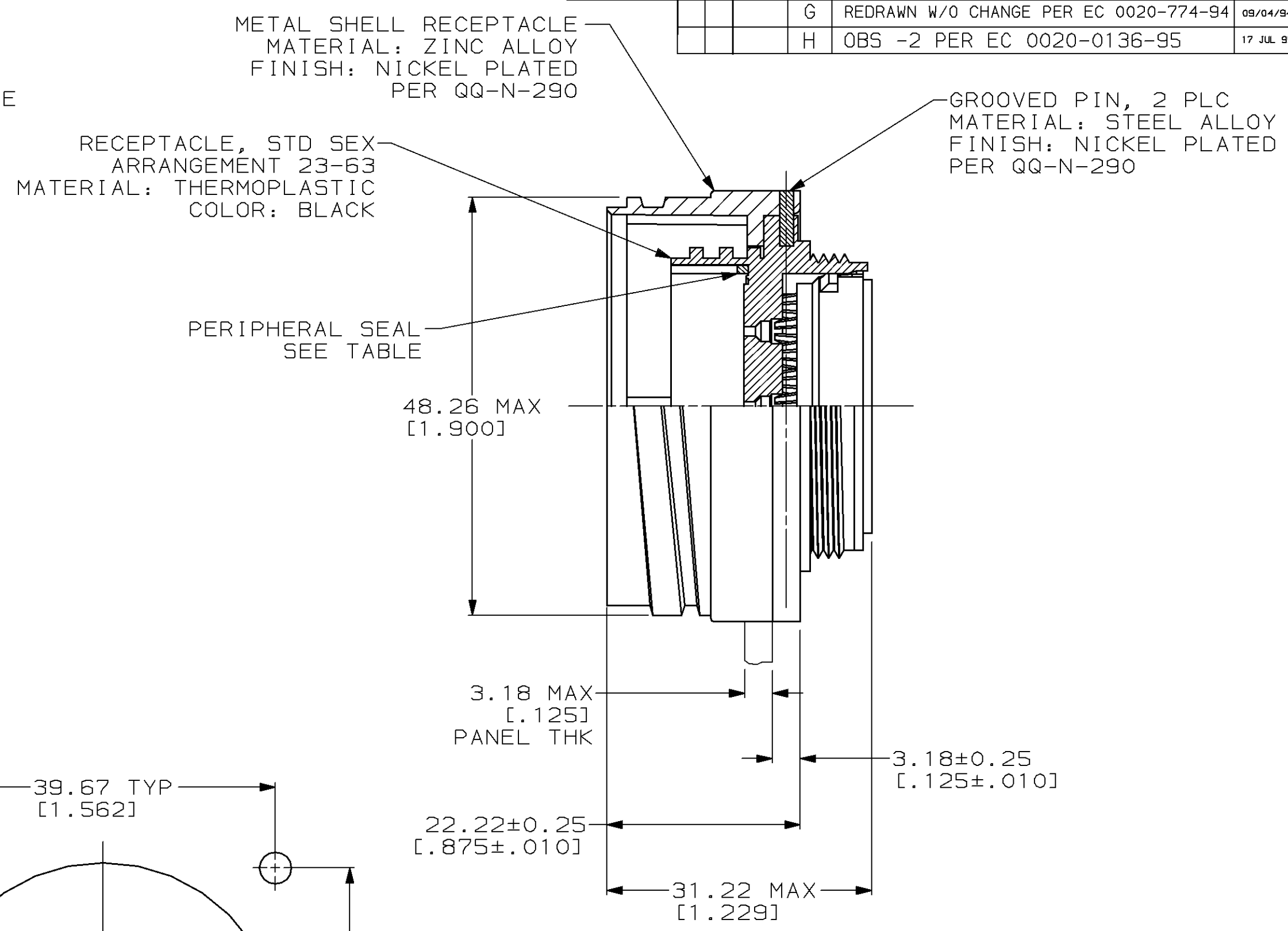
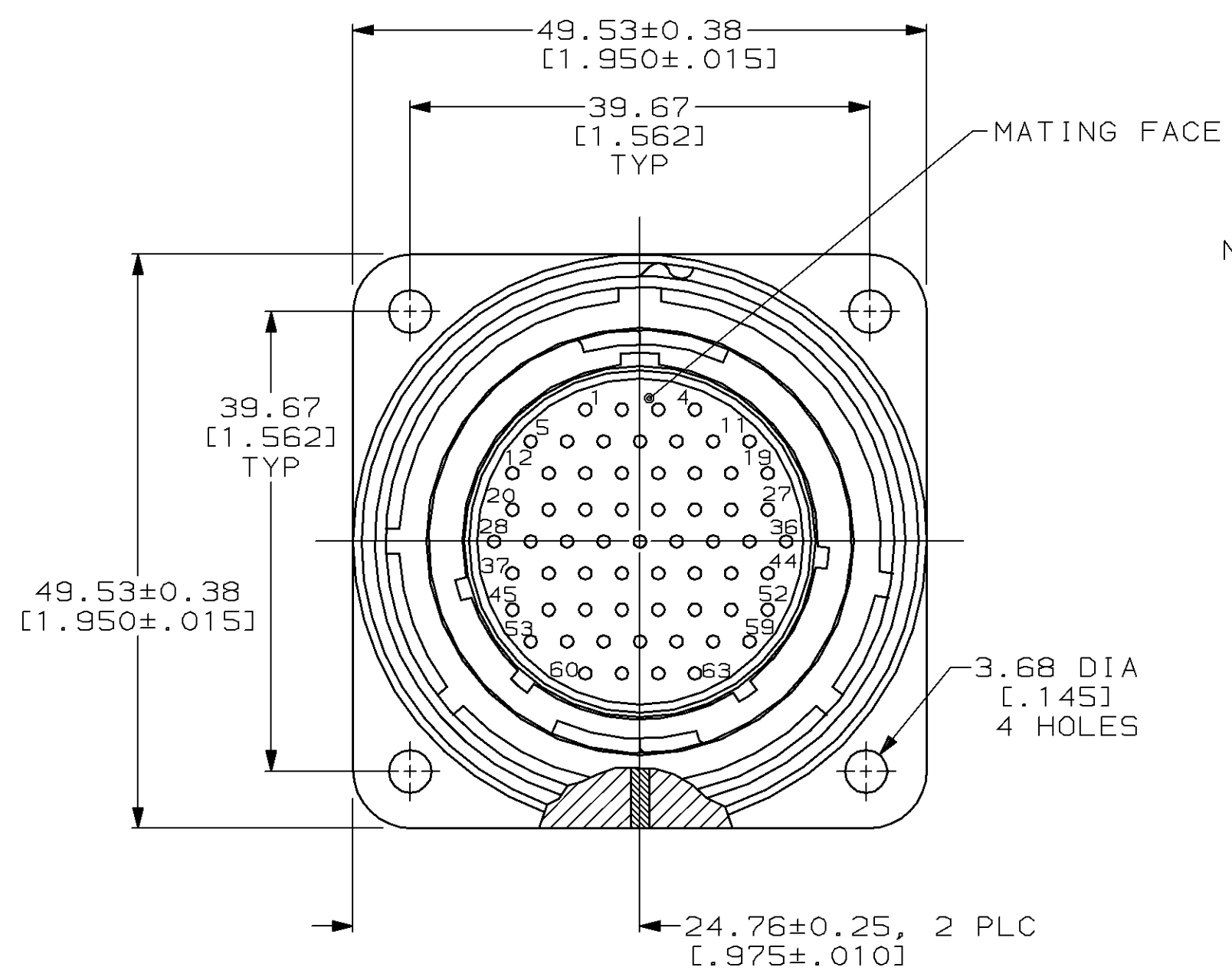
Tel: +86-755-8981 8866 Fax: +86-755-8427 6832

Email & Skype: info@chipsmall.com Web: www.chipsmall.com

Address: A1208, Overseas Decoration Building, #122 Zhenhua RD., Futian, Shenzhen, China



LOC	DIST	P	F	ZONE	LTR	DESCRIPTION	DATE	APPD
BD	35				G	REDRAWN W/O CHANGE PER EC 0020-774-94	09/04/94	AF
					H	OBS -2 PER EC 0020-0136-95	17 JUL 95	AF



OBSOLETE	YES	208477-2
	NO	208477-1
	PERIPHERAL SEAL	PART NUMBER

- RECEPTACLE MATES WITH AMP PLUG 208476-1.
- AMP PART NUMBER AND DATE CODE TO BE LOCATED ON EDGE OF FLANGE.

DO NOT SCALE PRINT. UNLESS SPECIFIED DIMENSIONS IN mm [INCHES] TOLERANCES ON: 2 PLC DEC ±0.13 [.005] 3 PLC DEC ± - ANGLES ± -	DR 09-04-94 D.HARDY	AMP AMP Incorporated Harrisburg, PA 17105-3608	
	CHK 09-07-94 R.STONE		
MATERIAL SEE CALL OUT	APPD 09-30-94 A.FRANTUM	NAME RECEPTACLE ASSEMBLY, 28-63, STANDARD SEX, CMC	
	APPD 09-30-94 A.FRANTUM	SIZE C	CAGE CODE 00779
FINISH SEE CALL OUT	APPLICATION SPEC -	DRAWING NO C=208477	SHEET 1 OF 1
	WEIGHT -	SCALE 2:1	

THIS DRAWING IS A CONTROLLED DOCUMENT FOR AMP INCORPORATED. IT IS SUBJECT TO CHANGE AND THE CONTROLLING ENGINEERING ORGANIZATION SHOULD BE CONTACTED FOR THE LATEST REVISION.