



Chipsmall Limited consists of a professional team with an average of over 10 year of expertise in the distribution of electronic components. Based in Hongkong, we have already established firm and mutual-benefit business relationships with customers from,Europe,America and south Asia,supplying obsolete and hard-to-find components to meet their specific needs.

With the principle of “Quality Parts,Customers Priority,Honest Operation,and Considerate Service”,our business mainly focus on the distribution of electronic components. Line cards we deal with include Microchip,ALPS,ROHM,Xilinx,Pulse,ON,Everlight and Freescale. Main products comprise IC,Modules,Potentiometer,IC Socket,Relay,Connector.Our parts cover such applications as commercial,industrial, and automotives areas.

We are looking forward to setting up business relationship with you and hope to provide you with the best service and solution. Let us make a better world for our industry!



Contact us

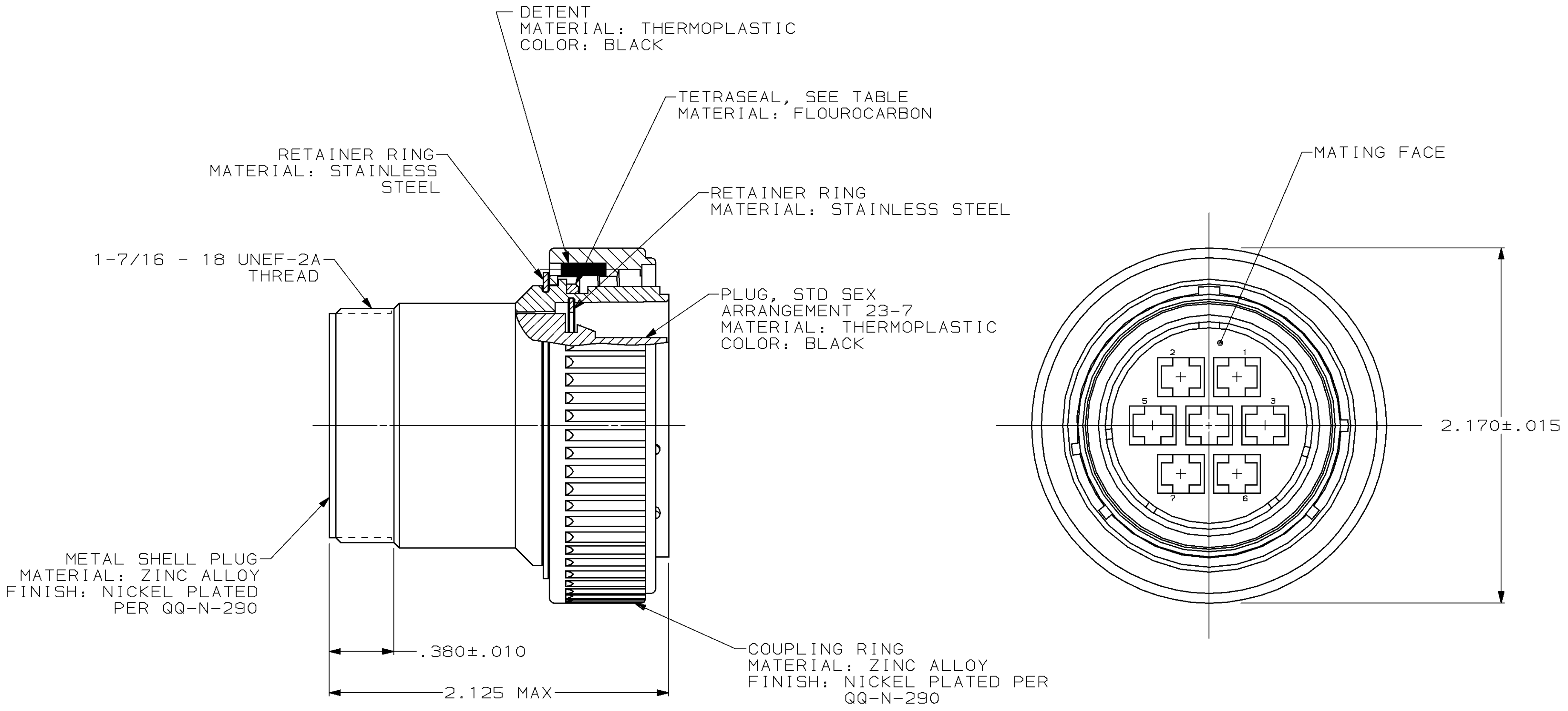
Tel: +86-755-8981 8866 Fax: +86-755-8427 6832

Email & Skype: info@chipsmall.com Web: www.chipsmall.com

Address: A1208, Overseas Decoration Building, #122 Zhenhua RD., Futian, Shenzhen, China



LOC	DIST	P	F	ZONE	LTR	DESCRIPTION	DATE	APPD
BD	35				N	REDRAWN	6-26-91	-
					P	REV PER ECN BD5454	05/26/92	KB
					R	OBS -3 PER EC 0020-0136-95	17 JUL 95	AF



- 208482-1 MATES WITH AMP RECEPTACLE 208483-1 OR -2. 208482-3 MATES WITH AMP RECEPTACLE 208483-1 ONLY.
- AMP PART NUMBER AND DATE CODE TO BE LOCATED ON COUPLING RING.

OBSOLETE	YES	208482-3
	NO	208482-1
	TETRASEAL	PART NUMBER

DO NOT SCALE PRINT. UNLESS SPECIFIED DIMENSIONS IN INCHES TOLERANCES ON :	DR 6-26-91 R.LEE BG	AMP AMP Incorporated Harrisburg, PA 17105-3608		
2 PLC DEC ± -	CHK 4-20-92 W.G.LENKER			
3 PLC DEC ± -	APPD 4-20-92 K.BEAVER	NAME PLUG ASSEMBLY, STD SEX, SERIES 3, 28-7, CMC		
ANGLES ± -	APPD 4-20-92 C.ROHDE			
MATERIAL	PRODUCT SPEC 108-10040	SIZE	CAGE CODE 00779	DRAWING NO 208482
SEE CALLOUT	APPLICATION SPEC -	WEIGHT -	SCALE 2:1	SHEET 1 OF 1