



Chipsmall Limited consists of a professional team with an average of over 10 year of expertise in the distribution of electronic components. Based in Hongkong, we have already established firm and mutual-benefit business relationships with customers from,Europe,America and south Asia,supplying obsolete and hard-to-find components to meet their specific needs.

With the principle of "Quality Parts,Customers Priority,Honest Operation,and Considerate Service",our business mainly focus on the distribution of electronic components. Line cards we deal with include Microchip,ALPS,ROHM,Xilinx,Pulse,ON,Everlight and Freescale. Main products comprise IC,Modules,Potentiometer,IC Socket,Relay,Connector.Our parts cover such applications as commercial,industrial, and automotives areas.

We are looking forward to setting up business relationship with you and hope to provide you with the best service and solution. Let us make a better world for our industry!



Contact us

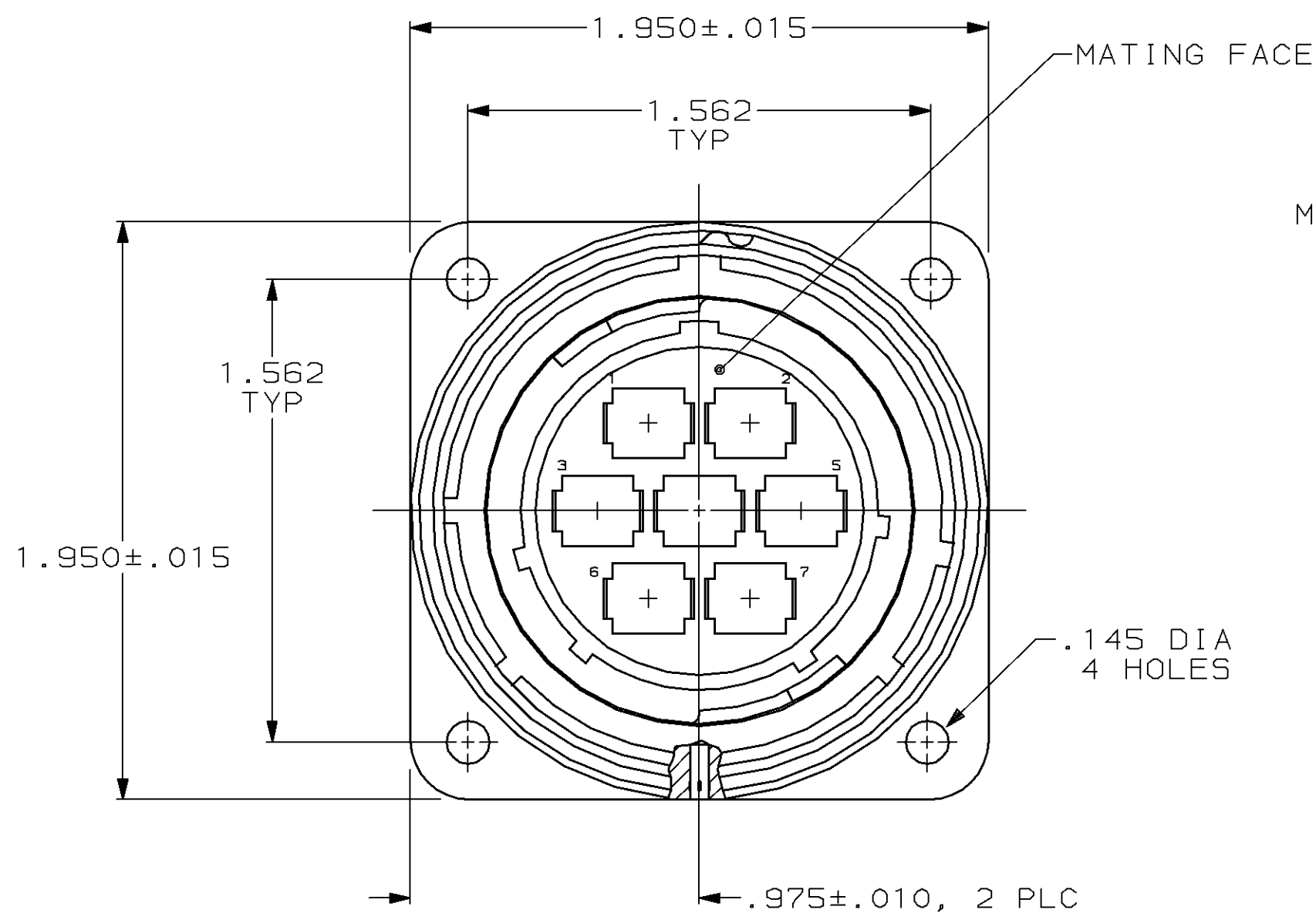
Tel: +86-755-8981 8866 Fax: +86-755-8427 6832

Email & Skype: info@chipsmall.com Web: www.chipsmall.com

Address: A1208, Overseas Decoration Building, #122 Zhenhua RD., Futian, Shenzhen, China



LOC	DIST	P	F	ZONE	LTR	DESCRIPTION	DATE	APPD
BD	35				K	REDRAWN	6-27-91	-
					L	OBS -2 PER EC 0020-0136-95	17 JUL 95	AF



RECEPTACLE, STD SEX
 ARRANGEMENT 23-7
 MATERIAL: THERMOPLASTIC
 COLOR: BLACK

METAL SHELL RECEPTACLE
 MATERIAL: ZINC ALLOY
 FINISH: NICKEL PLATED PER QQ-N-290

GROOVE PIN, 2 PLC
 MATERIAL: STEEL ALLOY
 FINISH: NICKEL PLATED
 PER QQ-N-290

PERIPHERAL SEAL
 SEE TABLE

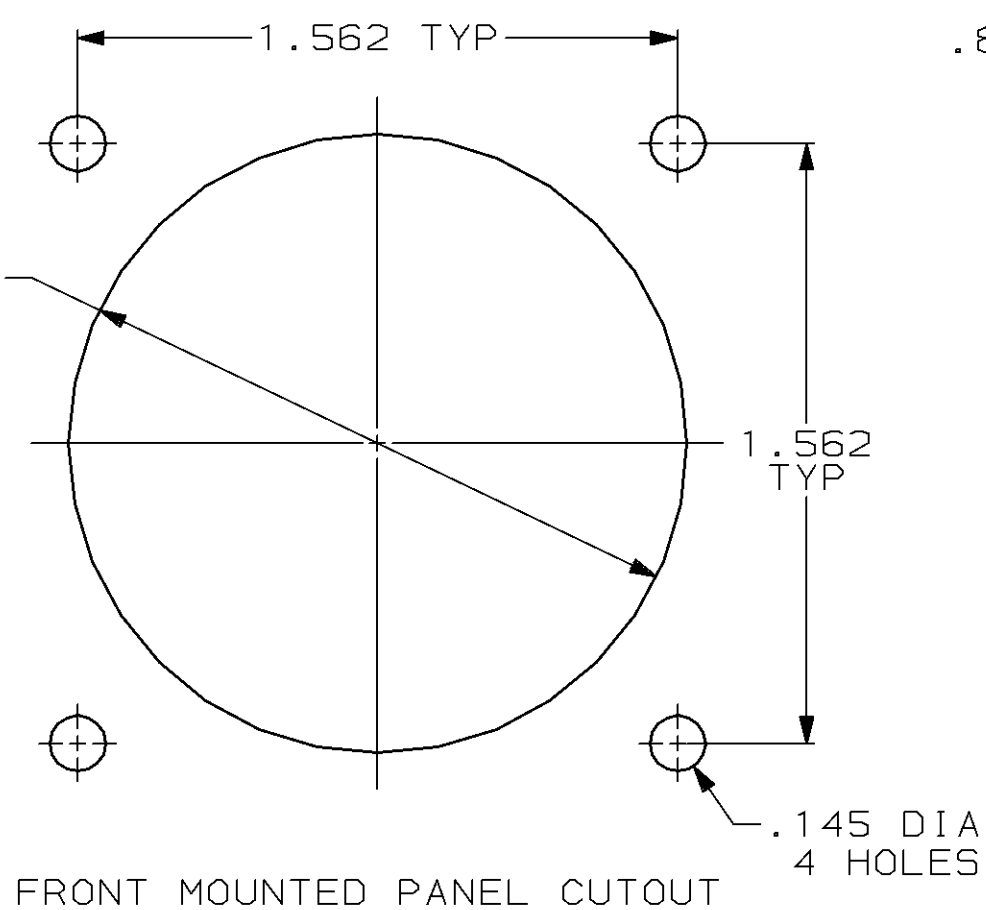
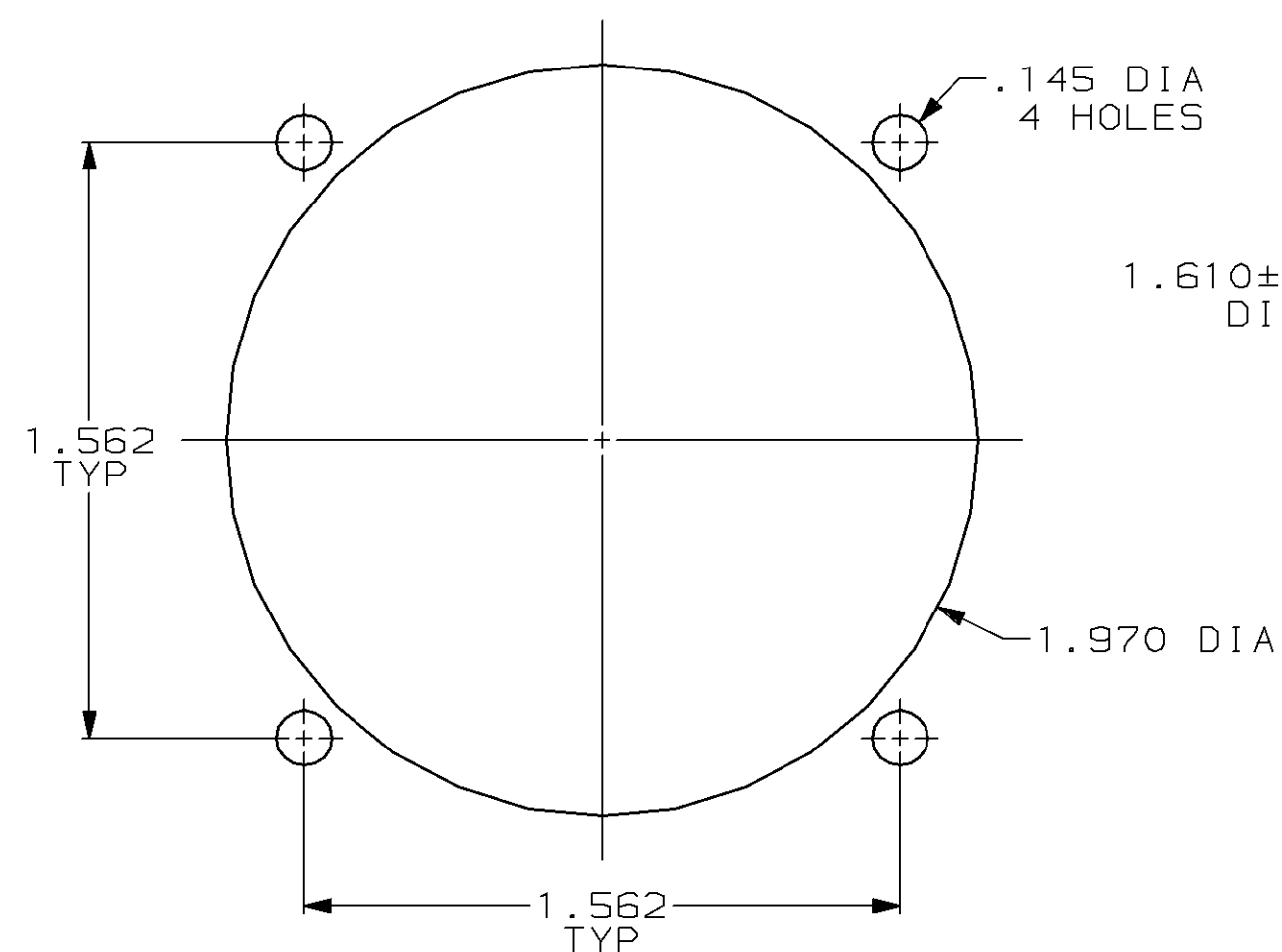
1.900 MAX

.125 MAX
 PANEL THK

.875±.010

.125±.010

1.825 MAX



REAR MOUNTED PANEL CUTOUT

OBSOLETE	YES	208483-2
	NO	208483-1
PERIPHERAL SEAL	PART NUMBER	

- 208483-1 MATES WITH AMP PLUG 208482-1 OR -3.
 208483-2 MATES WITH 208482-1 ONLY.
- AMP PART NUMBER AND DATE CODE TO BE LOCATED ON EDGE OF FLANGE.

DO NOT SCALE PRINT. UNLESS SPECIFIED DIMENSIONS IN INCHES TOLERANCES ON :	DR 6-27-91 R.LEE BG	AMP Incorporated Harrisburg, PA 17105-3608
	CHK 4-15-92 W.G.LENKER	
MATERIAL SEE CALLOUT	APPD 4-15-92 K.BEAVER	NAME
	APPD 4-15-92 C.ROHDE	RECEPTACLE ASSEMBLY, STD SEX, SERIES 3, 28-7, CMC
FINISH SEE CALLOUT	PRODUCT SPEC 108-10040	SIZE
	APPLICATION SPEC -	CAGE CODE 00779
WEIGHT -		DRAWING NO 208483
		SCALE 2:1
		SHEET 1 OF 1