



Chipsmall Limited consists of a professional team with an average of over 10 year of expertise in the distribution of electronic components. Based in Hongkong, we have already established firm and mutual-benefit business relationships with customers from,Europe,America and south Asia,supplying obsolete and hard-to-find components to meet their specific needs.

With the principle of "Quality Parts,Customers Priority,Honest Operation,and Considerate Service",our business mainly focus on the distribution of electronic components. Line cards we deal with include Microchip,ALPS,ROHM,Xilinx,Pulse,ON,Everlight and Freescale. Main products comprise IC,Modules,Potentiometer,IC Socket,Relay,Connector.Our parts cover such applications as commercial,industrial, and automotives areas.

We are looking forward to setting up business relationship with you and hope to provide you with the best service and solution. Let us make a better world for our industry!



## Contact us

Tel: +86-755-8981 8866 Fax: +86-755-8427 6832

Email & Skype: info@chipsmall.com Web: www.chipsmall.com

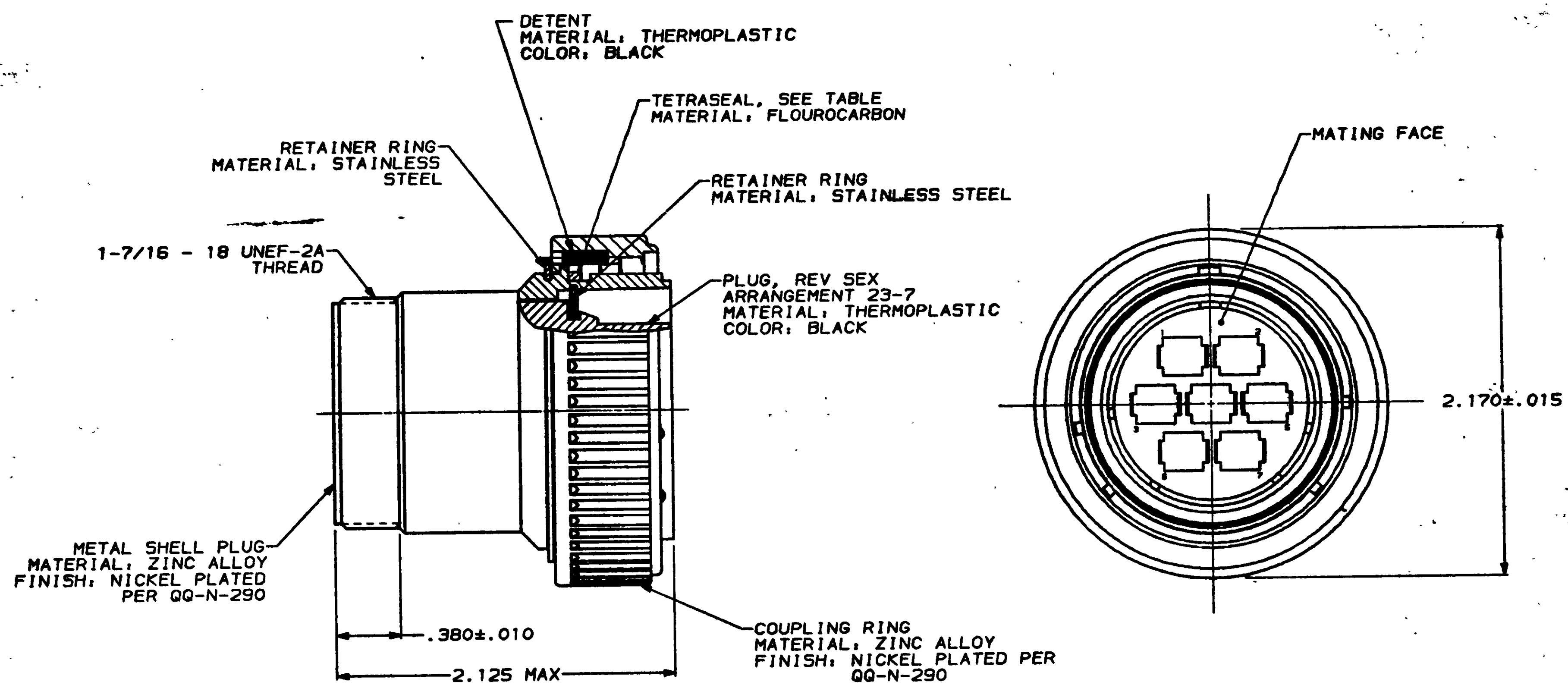
Address: A1208, Overseas Decoration Building, #122 Zhenhua RD., Futian, Shenzhen, China



DRAWING MADE IN THIRD ANGLE PROJECTION

THIS DRAWING IS UNPUBLISHED. RELEASED FOR PUBLICATION .18  
 COPYRIGHT © BY AMP INCORPORATED. ALL INTERNATIONAL RIGHTS RESERVED.

NO		LBR		DTSY		REVISIONS		DATE	APPD
ZONE	LTR	DESCRIPTION	DATE	APPD					
23	BD	35			N	REDRAWN	8-27-91	-	
					P	REV PER ECN 805454	05/28/92	KB	



YES	208484-3
NO	208484-1
TETRASEAL	PART NUMBER

- 208484-1 MATES WITH AMP RECEPTACLE 208485-1 OR -2.  
208484-3 MATES WITH AMP RECEPTACLE 208485-1 ONLY.
- AMP PART NUMBER AND DATE CODE TO BE LOCATED  
ON COUPLING RING.

DO NOT SCALE PRINT. UNLESS SPECIFIED DIMENSIONS IN INCHES TOLERANCES ON: 2 PLC DEC * - 3 PLC DEC * - ANGLES * -	DR 8-27-91 R.LEE BG	AMP Incorporated Harrisburg, PA 17105-3808
MATERIAL	CHK 4-20-92 W.S.LENKER	
SEE CALLOUT	APPD 4-20-92 K.BEAVER	
FINISH	APPD 4-20-92 C.ROHDE	NAME
SEE CALLOUT	PRODUCT SPEC 108-10040	PLUG ASSEMBLY, REV SEX, SERIES 3, 28-7, CMC
	APPLICATION SPEC	SIZE
	WEIGHT	SCALE
		CASE CODE
		DRAWING NO
		00779
		208484
		SHEET
		1 OF 1

CUSTOMER DRAWING